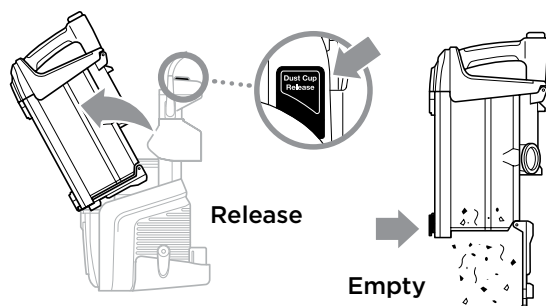


MAINTENANCE

Empty dust cup after each use



Filter Maintenance

Wash filters to keep the suction strong. Rinse filters and allow to air-dry completely. Tap loose dirt from foam filters as needed between washes.

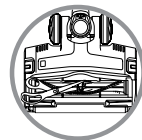
See enclosed Owner's Guide for complete details on removing and cleaning filters.

Access brushroll and Soft Roller

Open the brushroll lid by sliding back the release buttons. To close, insert the tabs on the lid into the slots on the nozzle, then press down both sides. If the lid isn't completely closed, the headlights will flash.

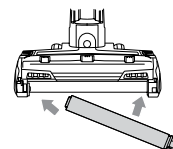
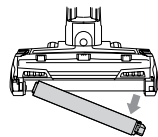
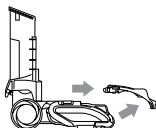
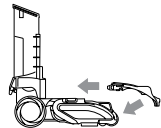
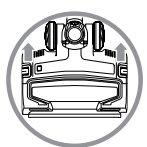
Brushroll Maintenance

Run scissors along the guide on the brushroll to remove any string, hair, or debris.



Soft Roller Maintenance

Lift out the Soft Roller by pulling the tab on the right side. Clear away any debris, then slide the Soft Roller back into place.



Please be sure to read the enclosed Shark® Owner's Guide prior to using your vacuum.

duo clean™

Shark

POWERED LIFT-AWAY™

QUICK START GUIDE

Use this Quick Start Guide to start using your new vacuum's great features.

Register your vacuum at registermyshark.com

AX950UK SERIES



Shark

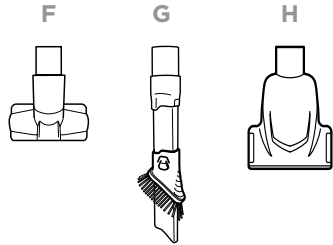
For questions or to register your product, contact us on
0800 862 0453 or visit us online at sharkclean.eu

©2018 Euro-Pro Europe Ltd. SHARK is a registered trademarks of SharkNinja Operating LLC. DUOCLEAN and POWERED LIFT-AWAY are trademarks of Euro-Pro Europe Ltd.

AX950UK_Series_QSG_MP_180425

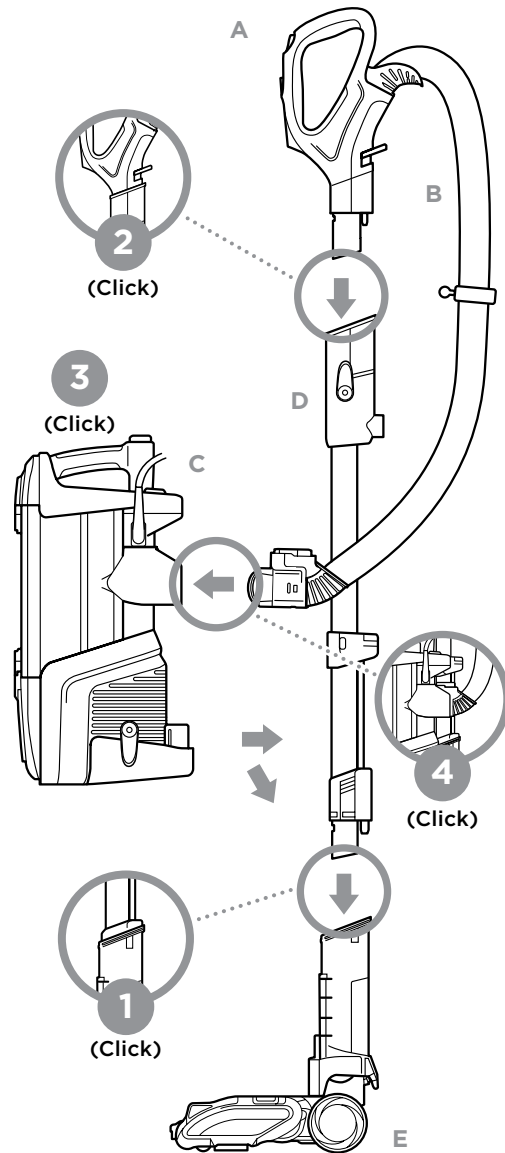
WHAT'S INSIDE:

- A Handle
- B Hose
- C Vacuum Pod
- D Wand
- E DuoClean™ Floor Nozzle
- F Upholstery tool
- G Duster Crevice Tool
- H Pet Power Brush (Certain models only)



1. Insert wand into floor nozzle.
2. Insert handle into wand.
3. Place pod onto wand. Slide down to connect.
4. Press hose into back of pod.

ASSEMBLY

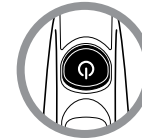


For complete instructions, see the enclosed Owner's Guide.
For additional parts and accessories, visit sharkclean.eu

VERSATILE FLOOR-TO-CEILING CLEANING

UPRIGHT MODE

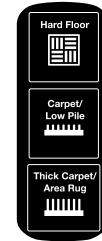
Place your foot gently on the floor nozzle and tilt the handle back. Choose floor type and press power button.



Power Button



Floor Type



Hard Floor: Gentle on hard floors and delicate area rugs.

Carpet/Low Pile: Optimised brushroll speed and suction for carpets.

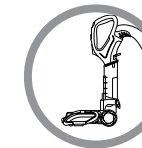
Thick Carpet/Area Rug: Optimised brushroll speed and suction for thick carpets and delicate area rugs.

POWERED LIFT-AWAY® MODE

Press Lift-Away Release button to lift pod off wand to clean hard-to-reach places.

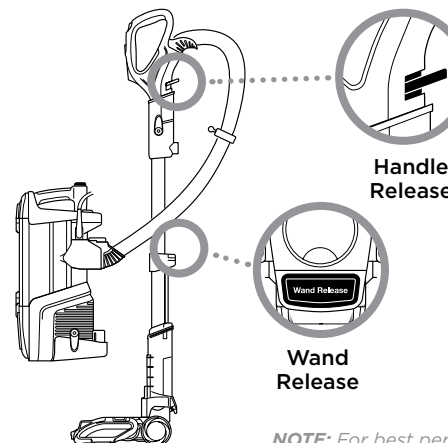


Lift-Away Release



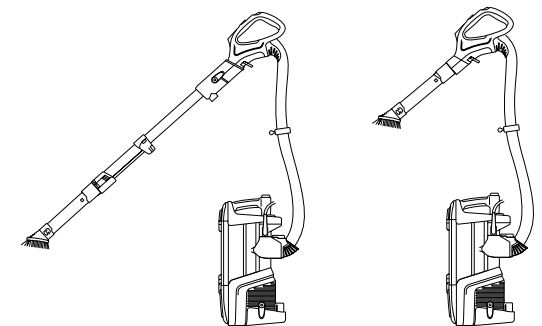
NOTE: See below for wand and handle release instructions.

ABOVE-FLOOR CLEANING IN LIFT-AWAY® MODE



Handle Release

Wand Release



Attach desired cleaning accessory to wand or handle.

NOTE: For best performance, use Hard Floor setting for all above-floor accessories.