

# **Shark**

## **DuoClean® Powered Lift-Away™ with Anti-Hair Wrap Technology**

### **AZ910UK**

**Series**

---

### **INSTRUCTIONS**



# THANK YOU


for purchasing the Shark® Duoclean® Powered Lift-Away™ with Anti-Hair Wrap Technology



**TIP:** You can find the model number and date code on the rating label located on the back of your unit.

To benefit from your product's extended guarantee, simply **register your purchase** at:

 [sharkclean.co.uk/register-guarantee](http://sharkclean.co.uk/register-guarantee)

 +44 (0)800 862 0453

Please note, products purchased directly from Shark are automatically registered.

## RECORD THIS INFORMATION

Model Number: \_\_\_\_\_

Date Code: \_\_\_\_\_

Date of Purchase (Keep receipt): \_\_\_\_\_

Store of Purchase: \_\_\_\_\_

## TECHNICAL SPECIFICATIONS

Voltage: 220-240V, 50-60Hz

Watts: 750W

## PLEASE READ CAREFULLY AND KEEP FOR FUTURE REFERENCE.

This instruction manual is designed to help you get a complete understanding of your new Shark Duoclean Powered Lift-Away with Anti-Hair Wrap Technology.

If you have any questions, please call the customer service line on +44 (0)800 862 0453.



# CONTENTS

<b>Important Safety Instructions</b> .....	<b>3</b>
<b>Getting to Know Your Shark Duoclean Powered Lift-Away with Anti-Hair Wrap Technology</b> .....	<b>5</b>
<b>Assembling Your Vacuum</b> .....	<b>7</b>
<b>Using Your Vacuum in Upright Mode</b> .....	<b>9</b>
What Does the Brushroll Indicator Light Mean? .....	9
<b>Using Your Vacuum in Above-Floor Mode</b> .....	<b>11</b>
<b>Using Your Vacuum in Powered Lift-Away Mode</b> .....	<b>13</b>
Powered Lift-Away Cleaning .....	13
Lift-Away® Cleaning .....	14
<b>Compatible Accessories</b> .....	<b>13</b>
<b>Maintenance</b> .....	<b>15</b>
Emptying the Dust Cup .....	15
Cleaning the Filters .....	16
Cleaning the Brushroll .....	17
Cleaning the Soft Roller .....	18
Checking the Nozzle for Blockages .....	18
<b>Troubleshooting Guide</b> .....	<b>19</b>
<b>Guarantee</b> .....	<b>20</b>



This marking indicates that this product should not be disposed with other household wastes throughout the EU. To prevent possible harm to the environment or human health from uncontrolled waste disposal, recycle it responsibly to promote the sustainable reuse of material sources. To return your used device, please use the return and collection systems or contact the retailer where this product was purchased. They can take this product for environmental safe recycling.

# IMPORTANT SAFETY INSTRUCTIONS

FOR HOUSEHOLD USE ONLY • PLEASE READ ALL INSTRUCTIONS BEFORE USING THIS VACUUM.

IF YOU HAVE DELICATE OR WOOL CARPETS, PARTICULARLY LOOP PILE, PLEASE TRY THE VACUUM ON A HIDDEN AREA FIRST TO ENSURE THE SPINNING BRUSH-ROLLS DO NOT DAMAGE OR UNPICK CARPET FIBRES.

## ⚠ WARNING

REDUCE THE RISK OF FIRE, ELECTRIC SHOCK, INJURY, OR PROPERTY DAMAGE:

### CAUTION: THE MOTORISED FLOOR NOZZLE, WAND, HOSE AND HANDLE CONTAIN ELECTRICAL CONNECTIONS:

- These are not serviceable parts.
- **DO NOT** use to suck up water.
- **DO NOT** immerse in water for cleaning.
- The handle/wand and hose should be checked regularly and must not be used if damaged.

- 1 Inspect power cord and plug for any damage before use. If the supply cord is damaged, it must be replaced by Euro-Pro Europe Limited, its service agent or similarly qualified persons in order to avoid a hazard. **DO NOT** use vacuum cleaner with a damaged cord or plug. Turn off all controls before plugging in or unplugging the vacuum cleaner. Store your vacuum cleaner with the power cord secured around the two cord hooks.
- 2 **DO NOT** use outdoors or on wet surfaces. Use only on dry surfaces.
- 3 Unplug from electrical socket when not in use and before servicing.
- 4 If vacuum cleaner is not working as it should, or has been dropped, damaged, left outdoors, or immersed in water, return it to Euro-Pro Europe Ltd for examination, repair, or adjustment.
- 5 **DO NOT** pull or carry vacuum cleaner by the cord or use the cord as a handle.
- 6 **DO NOT** unplug by pulling on cord. Grasp the plug, **NOT** the cord.

- 7 Keep hair, loose clothing, and all parts of the body away from openings and moving parts, such as the brush bar or Pet Power Brush.
- 8 **DO NOT** handle plug or vacuum cleaner with wet hands.
- 9 **DO NOT** run the vacuum cleaner over the power cord, close a door on the cord, or pull the cord around sharp corners.
- 10 The use of an extension cord is **NOT** recommended.
- 11 **DO NOT** leave vacuum cleaner unattended when plugged in.
- 12 Keep cord away from heated surfaces.

### GENERAL USE

- 13 Use only as described in this manual.
- 14 Keep your work area well lit.
- 15 Keep the vacuum cleaner moving over the carpet surface at all times to avoid damaging the carpet fibres.
- 16 If you have delicate or wool carpets, particularly loop pile, please try the vacuum on a hidden area first to ensure the spinning brush-rolls do not damage or unpick carpet fibres.
- 17 **DO NOT** place vacuum cleaner on unstable surfaces such as chairs or tables.
- 18 **DO NOT** put any objects into openings. **DO NOT** use with any opening blocked; keep free of dust, lint, hair, and anything that may reduce airflow.

# SAVE THESE INSTRUCTIONS

PLEASE READ CAREFULLY BEFORE USE

- 19 **DO NOT** allow young children to operate the appliance or use as a toy. Close supervision is necessary when any appliance is used near children.
- 20 **DO NOT** use unless brushroll, Soft Roller, dust cup, and all filters are in place.

### DUST CUP/FILTERS/ACCESSORIES

Before turning on the vacuum:

- 21 Make sure that all filters are thoroughly dry after routine cleaning.
- 22 Make sure that dust cup and all filters are in place after routine maintenance.
- 23 Make sure accessories are free of blockages.
- 24 Only use Shark branded filters and accessories. Use of non-Shark parts may invalidate your guarantee.

### HOSE ATTACHMENTS

- 25 **DO NOT** use if airflow is restricted. If the air paths or the motorised floor nozzle become blocked, turn the vacuum cleaner off and unplug from electrical socket. Remove all obstructions before you turn on the unit again.
- 26 Keep the end of the hose and accessory openings away from face and body.
- 27 Keep cleaning tools and hose suction openings away from hair, face, fingers, uncovered feet, or loose clothing.
- 28 Only use manufacturer's recommended attachments.

### GENERAL CLEANING

- 29 **DO NOT** vacuum up large objects.
- 30 **DO NOT** vacuum up hard or sharp objects

such as glass, nails, screws, or coins that could damage the vacuum cleaner.

- 31 **DO NOT** vacuum up plaster board dust, fireplace ash, or embers. **DO NOT** use as an attachment to power tools for dust collection.
- 32 **DO NOT** vacuum up smoking or burning objects such as hot coals, cigarette butts, or matches.
- 33 **DO NOT** vacuum up flammable or combustible materials (e.g., lighter fluid, petrol, or kerosene) or use vacuum in areas where they may be present.
- 34 **DO NOT** vacuum up toxic solutions (e.g., chlorine bleach, ammonia, or drain cleaner).
- 35 **DO NOT** use in an enclosed space where vapours are present from paint, paint thinner, moth-proofing substances, flammable dust, or other explosive or toxic materials.
- 36 **DO NOT** vacuum up any liquids.
- 37 **DO NOT** immerse vacuum cleaner in water or other liquids.
- 38 Use extra care when cleaning on stairs.

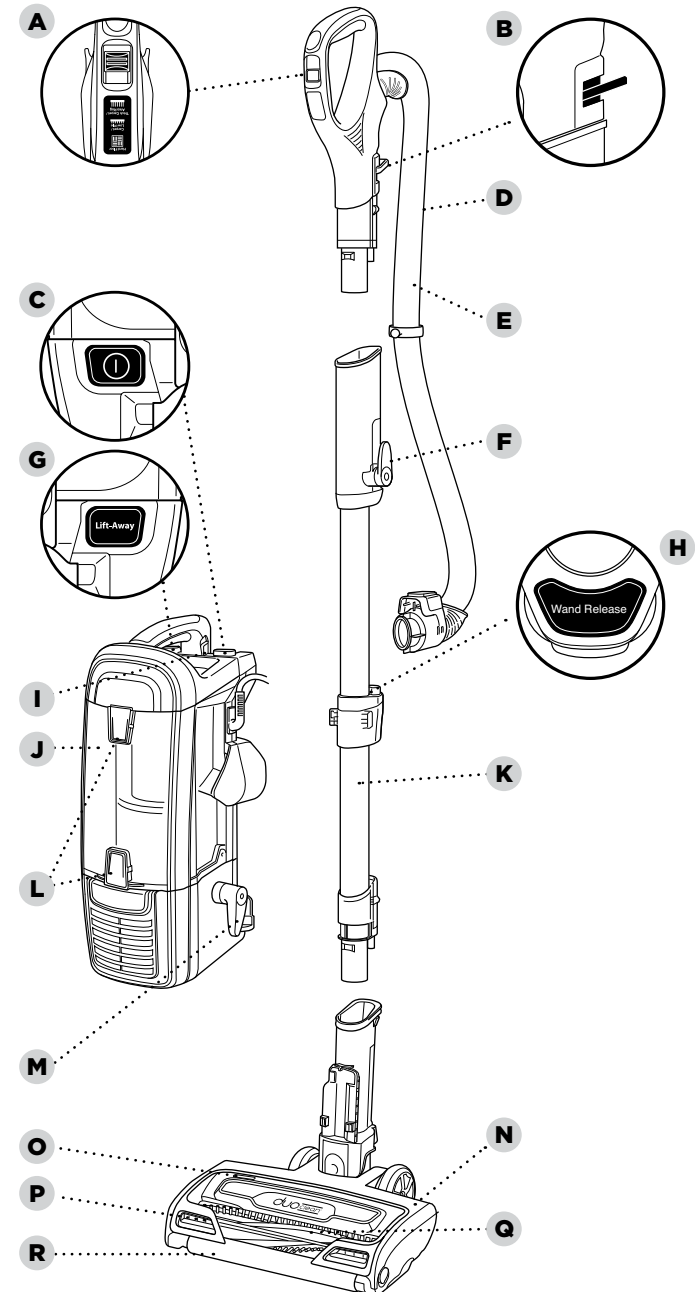
# GETTING TO KNOW YOUR SHARK® DUOCLEAN® POWERED LIFT-AWAY™ WITH ANTI-HAIR WRAP TECHNOLOGY

## WELCOME!

Congratulations on your purchase. Use this instruction manual to learn about your new vacuum's great features. From assembly to use to maintenance, you will find it all in here.

### MAIN UNIT

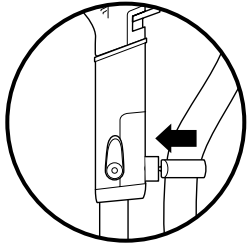
- A** Surface Selector
- B** Handle Release Button
- C** Power Button
- D** Hose Clip
- E** Hose
- F** Upper Cord Hook
- G** Lift-Away Button
- H** Wand Release Button
- I** Dust-Cup Release Latch
- J** Lift-Away Pod
- K** Wand
- L** Dust-Cup Empty Latches
- M** Lower Cord Hook
- N** Motorised Floor Nozzle
- O** Brushroll Indicator Light
- P** Headlights
- Q** Brushroll Lid
- R** Soft Roller



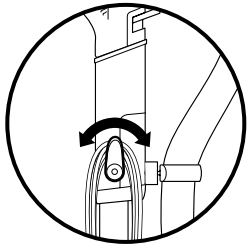
**NOTE:** The top flap of your box shows the select accessories that are included with your model.

# ASSEMBLING YOUR VACUUM

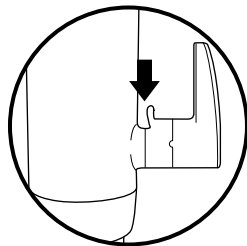
**TIP:** Push hose clip into back of wand for convenience.



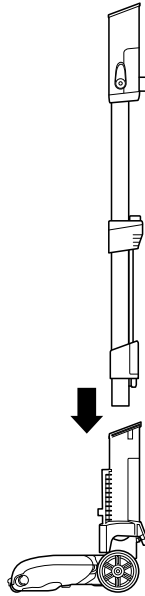
**TIP:** For quick cord access, rotate upper hook down and remove cord.



**TIP:** Use cord clip located on the side of wand to hold cord in place while vacuuming.

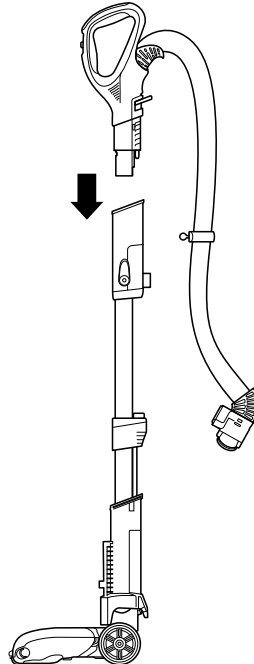


## STEP 1



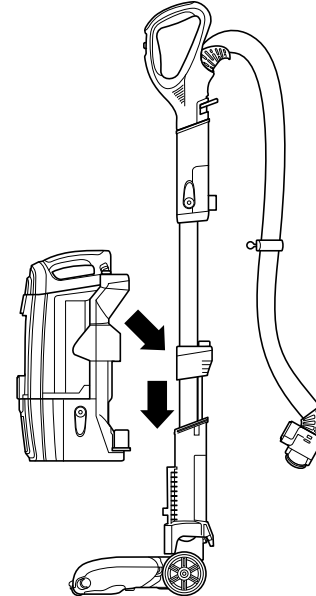
**1** Place motorised floor nozzle on floor and insert wand, pressing it in until it clicks securely into place.

## STEP 2



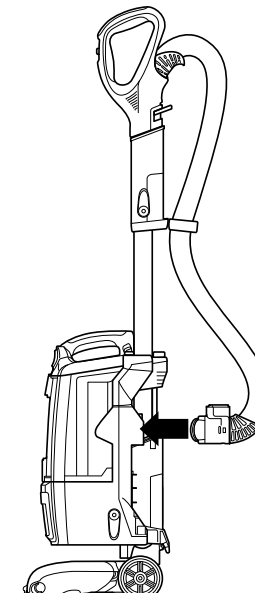
**2** Insert handle into wand, pressing it in until it clicks securely into place.

## STEP 3



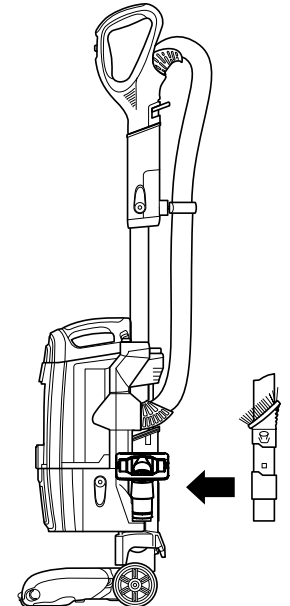
**3** Place pod onto wand and slide down to connect.

## STEP 4



**4** Connect hose into back of pod, pressing it in until it clicks securely into place.

## STEP 5



**5** Store included accessories on the accessory posts on the pod.

# USING YOUR VACUUM IN UPRIGHT MODE

## WHAT DOES THE BRUSHROLL INDICATOR LIGHT MEAN?

### Solid Green

The brushrolls are spinning and working as they should.

### Solid Red

There is a jam in the brushroll and/or Soft Roller area. Turn off your vacuum and remove any blockages in the nozzle.

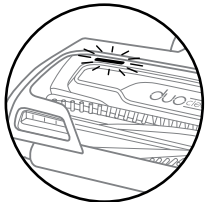
### Flashing Red\*

The motorised floor nozzle is overheating. Turn off your vacuum and wait for it to cool down.

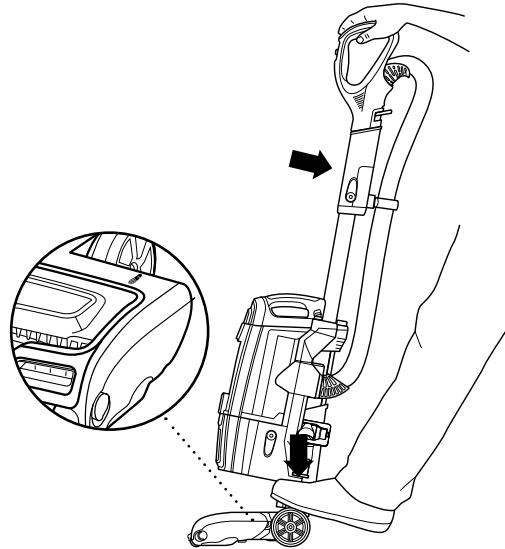
### No Light

The unit is turned off.

\*See Troubleshooting section for further instructions.

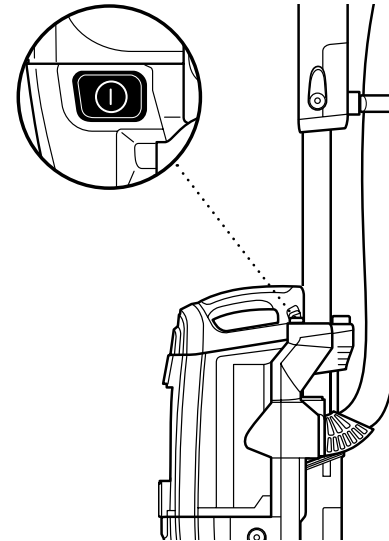


## STEP 1



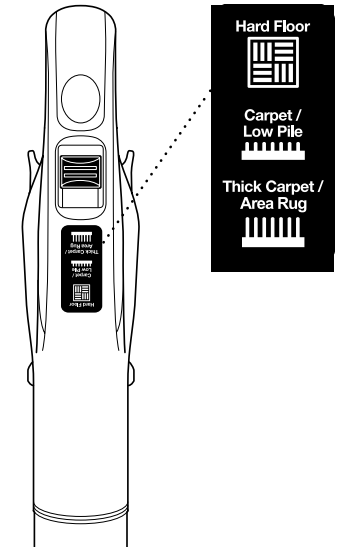
- 1 Plug power cord into socket. Place foot on floor nozzle and tilt handle back.

## STEP 2



- 2 To start cleaning, press power button to turn on vacuum. Please note the brushrolls will not spin unless the unit is reclined.

## STEP 3



- 3 Choose the appropriate setting.

### Hard Floor

Gentle cleaning on hard floors. The brushrolls will spin slowly to help with debris pick up.

### Carpet/Low Pile

Optimised brushroll speed and suction for carpets

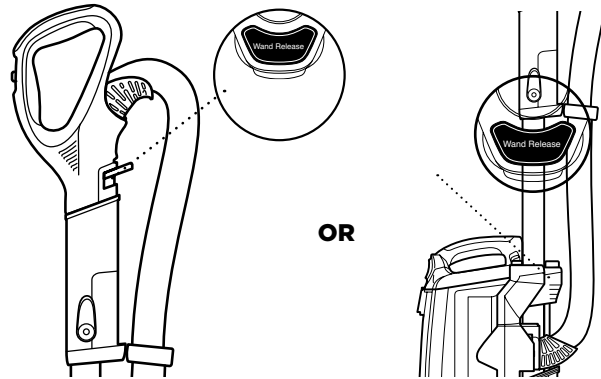
### Thick Carpet/Rug

Optimised brushroll speed and suction for thicker carpets and rugs.

## USING YOUR VACUUM IN ABOVE-FLOOR MODE

**⚠ WARNING: Ensure solid footing when using in Lift-Away mode.** Using vacuum when you don't have stable footing may result in personal injury.

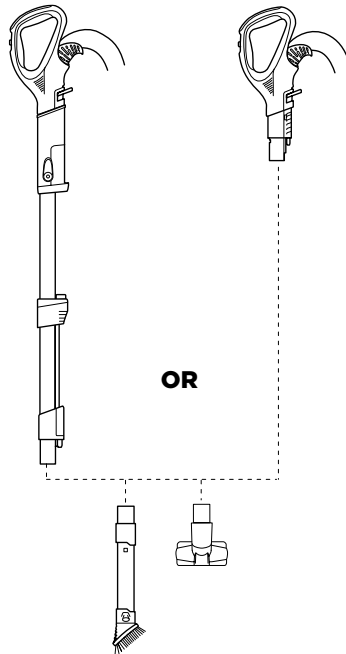
### STEP 1



**1** Press the Handle Release button to clean above-floor areas with the handle.

**OR** Press the Wand Release button when you need to clean with a longer reach.

### STEP 2

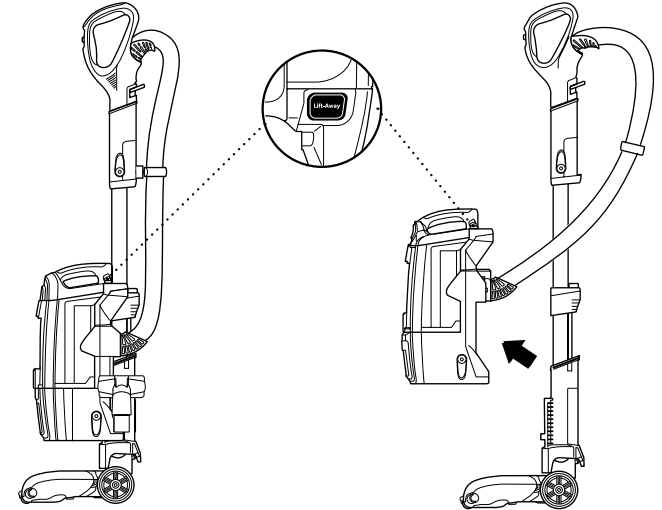


**OR**

## USING YOUR VACUUM IN POWERED LIFT-AWAY™ MODE

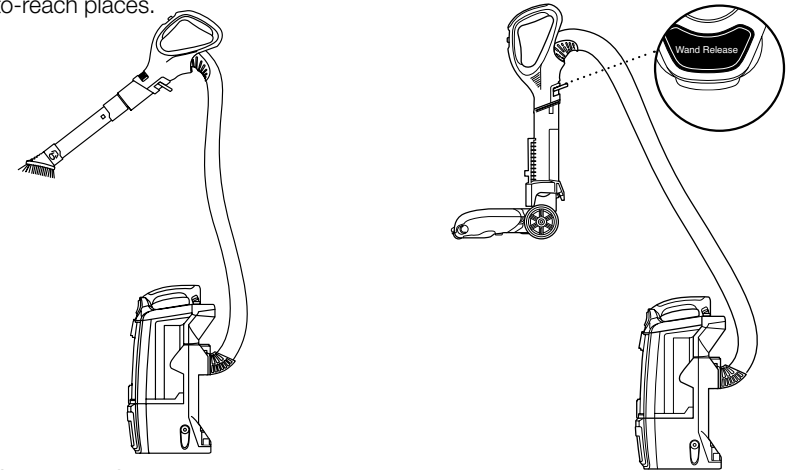
### WHAT IS POWERED LIFT-AWAY™?

Our Powered Lift-Away feature allows you to remove the pod from the nozzle while maintaining the same power you have in upright mode. This is great for cleaning stairs, under furniture, and in other tight spaces.



### POWERED LIFT-AWAY CLEANING

**1** Press the Lift-Away button to lift the pod away from the floor nozzle. You are now ready to clean those hard-to-reach places.



### LIFT-AWAY CLEANING

**1** Attach the desired accessory directly onto the handle. You can also attach the accessory to the wand for extended reach.

**2** For a convenient way to clean stairs, remove the wand and insert the handle into the motorised floor nozzle.

## COMPATIBLE ACCESSORIES

There are a variety of accessories that are compatible with this vacuum series.

The top flap of your box shows the select accessories that are included with your model.

**To purchase additional accessories, go to [sharkclean.co.uk](http://sharkclean.co.uk)**

### **A 2-in-1 Dusting Brush and Upholstery Tool**

Two tools for cleaning tough pet messes: first, a stiff bristle brush for cleaning stuck-on debris. Then remove the bristles to reveal an upholstery tool for cleaning stubborn pet hair.

### **B Duster Crevice**

Two cleaning tools in one—the crevice tool gives you extended cleaning reach for small spaces, while the soft dusting brush cleans a multitude of surfaces.

### **C Multi-Angle Dusting Brush**

5-position soft dusting brush for cleaning shelves (straight out/downward orientation), blinds, walls and lights (upward and downward orientation). Adjust the angle of this brush to the desired cleaning surface.

### **D Pet Power Brush**

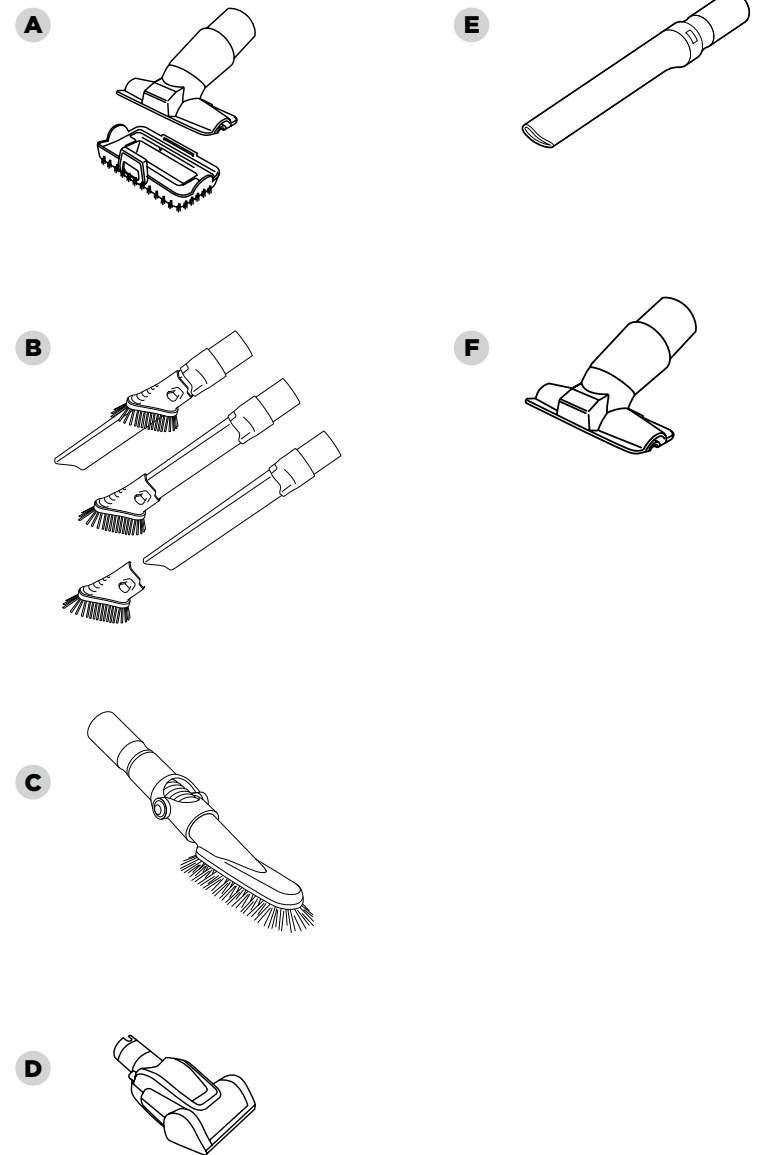
Picks up pet hair and loose debris, and powerfully deep cleans dander out of upholstery and other surfaces.

### **E Crevice Tool**

For reaching hard to reach places.

### **F Upholstery Tool**

Remove pet hair and dust from curtains and other delicate fabrics and upholstery.





# MAINTENANCE

To keep your vacuum's suction power optimal, follow these instructions. Make sure unit is off and cord is unplugged.

**⚠ WARNING:** To reduce the risk of shock and unintended operation, turn off power and unplug unit before servicing.

**⚠** Hand wash filters only with water to prevent damage from cleaning chemicals. Allow ALL filters to air-dry completely before replacing them in the vacuum to prevent liquid from being drawn into electric parts.

**★ IMPORTANT:** Do not use soap when cleaning any of the filters.

## RECOMMENDED FILTER CLEANING SCHEDULE:

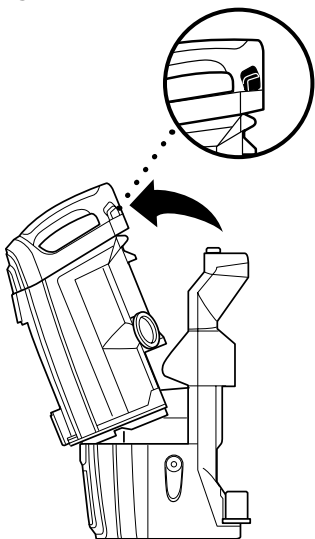
**Pre-Motor Filter Kit**  
(Foam & Felt)  
Clean every 3 months.

**Post-Motor Filter**  
Clean once a year.

**Pre-Motor filter**  
Clean once a year.

## EMPTYING THE DUST CUP

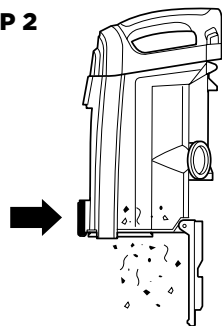
### STEP 1



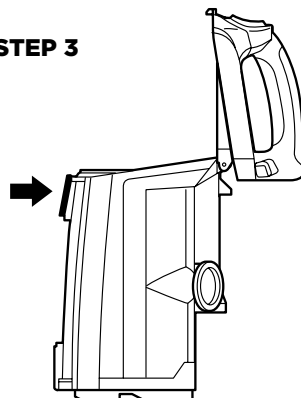
**1** Pull up on Dust Cup Release Latch and lift dust cup off pod.

**2** Hold dust cup over a bin and press the latch on the bottom of the dust cup to empty it.

### STEP 2



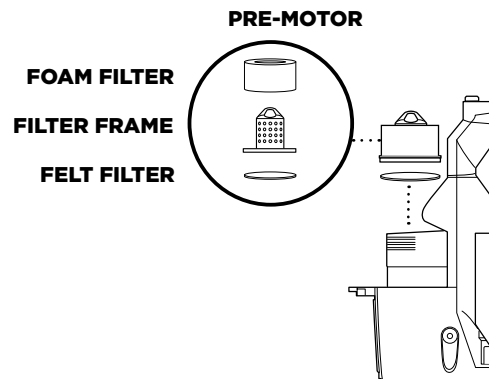
### STEP 3



**3** Press top dust-cup empty latch to access dust screen and remove built-up debris as required.

## CLEANING THE FILTERS

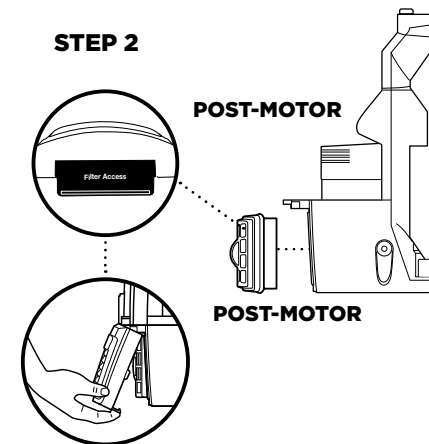
### STEP 1



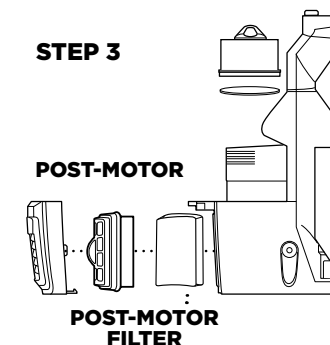
**1 Pre-Motor (foam and felt):**  
With the dust cup removed, take out the foam and felt filters, and rinse with water. Tap loose dirt off filters between washes as needed.

**2 Post-Motor Filter:**  
To access the post-motor filter and foam filter, reach under the grill, pull the latch forward, and pull the grill away from the vacuum.

### STEP 2



### STEP 3



**3** Remove the filter assembly, then remove the pre-motor filter from the assembly. Rinse both filters and allow to air dry completely before replacing. Hand wash only.

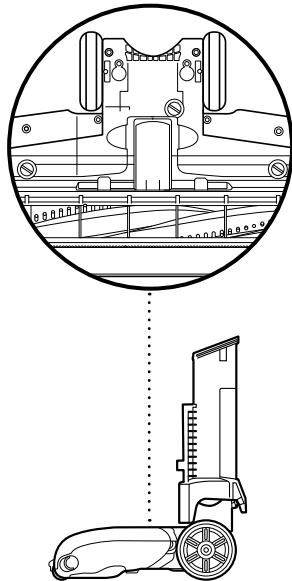
**TIP:** You can also check for blockages in the hose and airways. Just remove the floor nozzle, dust cup, and hose and shine a torch in the openings.

Anti Hair Wrap Technology removes hair from your brush-roll continuously as you vacuum. At times you may see small amounts of hair around the brush-roll – simply continue vacuuming and the comb and suction will remove the hair as you clean.

### Anti-Hair Wrap Technology

Anti-Hair Wrap Technology actively removes hair wrap from your brushroll while you vacuum. If you run over a hard or sharp object or notice a noise change while vacuuming, check for blockages or objects caught in the brushroll.

**NOTE:** Do not be alarmed if there is visible hair at any given time, as it will eventually make its way to the dust cup.

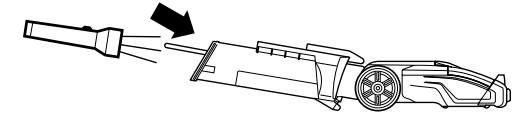
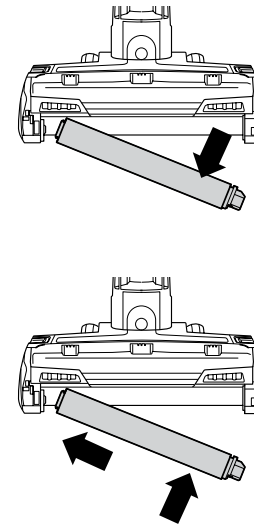


#### CLEANING THE BRUSHROLL

- 1 Use a coin to unlock the 3 locks on the bottom of the floor nozzle, a portion of the base is removable to allow for better access to the brush roll and exposure to the airway. Shine a torch from the bottom to check for possible blockage in the airway.
- 2 Clear away any objects or debris.
- 3 To reassemble, replace base by lining it up along the front of the nozzle. Push down to snap into place. Lock the 3 locks.  
**If Brushroll Indicator Light isn't green and headlights are flashing, check again that both sides of lid are locked in place.**

### DuoClean® Technology

DuoClean Technology features a bristle brush to deep-clean carpets, and an additional soft brushroll to pull in larger particles and directly engage floors for a polished look. With normal use, you may need to perform routine maintenance of your Soft Roller. See the instructions below.



#### CLEANING THE SOFT ROLLER

- 1 To remove Soft Roller from nozzle, Slide the Soft Roller access button up to remove the Soft Roller.
- 2 Tap loose debris off the Soft Roller. Use a dry towel to wipe the Soft Roller clean, or to remove any debris caught in the teeth behind the Soft Roller.
- 3 Hand-wash the Soft Roller as needed. Use only water, and let air-dry completely for at least 24 hours.
- 4 Reinsert Soft Roller under rubber bumper in front of nozzle until it clicks into place.

#### CHECKING THE NOZZLE FOR BLOCKAGES

- 1 Tilt neck of nozzle back to straighten the airway, then remove any blockages.

**⚠ WARNING: To reduce the risk of shock and unintended operation, turn off power and unplug unit before servicing.**

## **Vacuum is not picking up debris. No suction or light suction.**

**(Refer to Maintenance section for more information.)**

- Dust cup may be full; empty dust cup.
- Check hose, hose connections, wand, nozzle, and accessories for blockages; clear blockages if required.
- Remove any string, carpet fibres, or hair that may be wrapped around the brushrolls.
- Check filters to see if they need cleaning. Follow instructions for rinsing and drying the filters before reinserting in the vacuum.

## **Vacuum lifts area rugs.**

- Turn off unit to disengage the brushrolls. Move Surface Selector to Thick Carpet/Area Rug setting, which is optimal for thick carpets and area rugs.
- Suction is powerful. Take care when vacuuming rugs or rugs with delicately sewn edges.

## **Brushroll/Soft Roller does not spin.**

- If Brushroll Indicator Light on the floor nozzle turns red, the brushroll and/or Soft Roller have stopped spinning. Immediately turn off and unplug vacuum. Disconnect the nozzle and remove blockage, then reconnect and turn vacuum back on.
- With the power on, recline the handle, which will automatically turn on the brushrolls.

## **Vacuum turns off on its own or Brushroll Indicator Light flashes red.**

- This vacuum is equipped with a motor-protective thermostat. If your vacuum overheats, the thermostat will automatically turn the suction motor off. Perform the following steps to restart the thermostat:
  1. Turn vacuum off and unplug it.
  2. Empty dust cup
  3. Check for blockages in hose, accessories, and inlet openings.
  4. If there are no blockages clean the filters (see Maintenance section).
  4. Allow unit to cool for a minimum of 45 minutes.
  5. Plug in vacuum and turn it on.
- If hose is not fully connected to the pod, it can cause a poor electrical connection and the hose can come loose, turning the vacuum off.
  1. Turn vacuum off and unplug it.
  2. Remove cord from cord hook so hose latch can be seen and engaged.
  3. Ensure that hose, wand, and handle are all clicked securely into place at all connection points:
    - a. Where hose meets back of pod (may require additional force; pull on hose to ensure latch is fully engaged)
    - b. Where wand plugs into floor nozzle
    - c. Where handle plugs into wand
  4. Plug in vacuum and turn it on.

Note: If vacuum still does not run properly, contact Customer Service on +44 (0)800 862 0453.

When a consumer buys a product in the UK, they get the benefit of legal rights relating to the quality of the product (your "statutory rights"). You can enforce these rights against your retailer. However, at Shark we are so confident about the quality of our products that we give you an additional manufacturer's guarantee of up to five years upon registration with Shark. Offer valid only in United Kingdom and Republic of Ireland. These terms and conditions relate to our manufacturer's guarantee only – your statutory rights are unaffected.

The conditions below describe the prerequisites and scope of our guarantee. They do not affect your statutory rights or the obligations of your retailer and your contract with them.

## **Shark® Guarantees**

A household appliance like a vacuum cleaner constitutes a sizeable investment. Your new machine needs to work properly for as long as possible. The guarantee it comes with is an important consideration - and reflects how much confidence the manufacturer has in its product and manufacturing quality.

Every Shark machine comes with a free parts and labour guarantee. Our customer service helpline (+44 (0)800 862 0453) is open from 8.00am to 6.00pm Monday - Friday. It's free to call, and you'll be put straight through to a Shark representative. You'll also find online support at [sharkclean.co.uk/uk](http://sharkclean.co.uk/uk).

## **How do I register my extended Shark guarantee?**

You can register your guarantee online within 28 days of purchase. To save time, you'll need the following information about your machine:

- Date you purchased the machine (receipt or delivery note)
- To register online, please visit [sharkclean.co.uk/uk/register-guarantee](http://sharkclean.co.uk/uk/register-guarantee)

## **IMPORTANT**

- Both the 12 months and the extended 4 years guarantee will only cover your product from the date of purchase.
- Please keep your receipt at all times. Should you need to use your extended guarantee we will need your receipt to verify the information you have supplied to us is correct. The inability to produce a valid receipt may invalidate your guarantee.

## **What are the benefits of registering my free Shark guarantee?**

When you register your guarantee we'll have your details to hand if we ever need to get in touch. You can also receive tips and advice on how to get the best out of your Shark vacuum and hear the latest news about new Shark® technology and launches. If you register your guarantee online, you'll get instant confirmation that we've received your details.

## **How long are new Shark machines guaranteed for?**

Our confidence in our design and quality control means that your new Shark vacuum cleaner is guaranteed for a total of five years. (12 months plus an extended guarantee of 4 years).

## **What is covered by the free Shark guarantee?**

Repair or replacement of your Shark machine (at Shark's discretion), including all parts and labour. A Shark guarantee is in addition to your legal rights as a consumer.

## **What is not covered by the free Shark guarantee?**

- Blockages – For details of how to unblock your vacuum cleaner, please refer to the Operating Manual.
- Normal wear and tear such as brush bar, fuse, belt, batteries etc.
- Accidental damage, faults caused by negligent use or care, misuse, neglect, careless operation or handling of the vacuum cleaner which is not in accordance with the Shark Operating Manual supplied with your machine.
- Use of the vacuum cleaner for anything other than normal domestic household purposes.
- Use of parts not assembled or installed in accordance with the operating instructions.
- Use of parts and accessories which are not Shark Genuine Components.
- Faulty installation (except where installed by Shark).
- Repairs or alterations carried out by parties other than Shark or its agents.

## **What happens when my guarantee runs out?**

Shark does not design products to last for a limited time. We do appreciate that there may be a desire for our customers to want to repair their vacuum cleaners after the guarantee has elapsed. In this case please contact our free phone customer service help line and ask about our out guarantee program, on +44 (0)800 862 0453.

## **Where can I buy genuine Shark spares and accessories?**

Shark spares and accessories are developed by the same engineers who developed your Shark vacuum. You'll find a full range of Shark spares and replacement parts for all Shark machines at [sharkclean.co.uk/uk/parts](http://sharkclean.co.uk/uk/parts). Accessories are at [sharkclean.co.uk/uk/accessories](http://sharkclean.co.uk/uk/accessories).

Please remember that using non-Shark spares invalidates your guarantee.

## NOTES

---

---

---

---

---

---

---

---

---

---

---

---

---

---

---

---

---

---

---

---

---

---

---

---

---

---

---

---

---

---

## NOTES

---

---

---

---

---

---

---

---

---

---

---

---

---

---

---

---

---

---

---

---

---

---

---

---

---

---

---

---

---

---



**Euro-Pro Europe Limited**  
**3150 Century Way**  
**Thorpe Park**  
**Leeds, LS15 8ZB**  
**+44 (0)800 862 0453**  
**www.sharkclean.co.uk**

Illustrations may differ from actual product. We are constantly striving to improve our products, therefore the specifications contained herein are subject to change without notice.

DUOCLEAN and SHARK are registered trademarks of SharkNinja Operating LLC.  
LIFT-AWAY and POWERED LIFTAWAY are trademarks of SharkNinja Operating LLC.

© 2020 SharkNinja Operating LLC  
AZ910UK\_Series\_IB\_MP\_200529\_Mv1  
PRINTED IN CHINA

 **@sharkcleaninguk**

 **@sharkcleanuk**

 **@sharkcleanuk**