

# NINJA®

## Master Prep®

OWNER'S GUIDE  
GUIDE DE L'UTILISATEUR

QB900BC



# IMPORTANT SAFETY INSTRUCTIONS

## For Household Use Only

**WHEN USING ELECTRICAL APPLIANCES, BASIC SAFETY PRECAUTIONS SHOULD ALWAYS BE FOLLOWED, INCLUDING THE FOLLOWING:**

**READ ALL INSTRUCTIONS BEFORE USING YOUR NINJA MASTER PREP®.**

### **POLARIZED PLUG**

**WARNING:** To reduce the risk of electric shock, this appliance has a polarized plug (one blade is wider than the other). This plug will fit into a polarized outlet only one way. If the plug does not fit fully into the outlet, reverse the plug. If it still does not fit, contact a qualified electrician to install the proper outlet. **DO NOT modify the plug in any way.**

1. Close supervision is necessary when any appliance is used by or near children.
2. To protect against electric shock, **DO NOT** immerse cord, plug or any part of the main unit in water or any other liquids.
3. **DO NOT** let cord hang over edge of table or counter, or touch hot surfaces.
4. **DO NOT** operate any appliance with a damaged cord or plug, or after the appliance malfunctions, has been dropped or damaged in any manner. Return the appliance to EURO-PRO Operating LLC for examination, repair or adjustment.
5. Unplug appliance from outlet when not in use and before cleaning.
6. **DO NOT** place on or near a hot gas or electric burner.
7. The use of accessory attachments, including canning jars not recommended by EURO-PRO Operating LLC may cause fire, electrical shock or risk of personal injury.
8. Extreme caution must be used when moving an appliance containing hot food, water or other liquids.
9. Use this appliance on a stable work surface away from water.
10. **DO NOT** remove the motor head before the chopping blades have stopped turning.
11. **CAUTION!** Chopping blades are sharp, handle with care. When handling the chopping blades, always hold by the plastic shaft.



12. **DO NOT** attempt to sharpen blades.
13. **DO NOT** expose jars to extreme temperature changes.
14. **DO NOT** use jars if they are cracked or chipped.
15. **DO NOT** use the appliance if chopping blades are bent or damaged.
16. Avoid contact with moving parts at all times. Keep hands, hair, clothing as well as spatulas and other utensils away from pitcher or chopping container during operation to prevent risk of personal injury and/or damage to the appliance.
17. Exercise extreme caution when blending hot liquids.
18. Immediately release the On/Off pulse button on the motor head in the event that the appliance malfunctions during use.
19. To reduce the risk of injury, **NEVER** operate the appliance without the splash guard in place; **DO NOT** try to defeat the interlock mechanism; make sure that the cutting blades are properly assembled before operating the appliance.
20. **DO NOT** use outdoors.
21. **DO NOT** use appliance for other than intended use.
22. **DO NOT** operate the appliance for more than 15 seconds.
23. **DO NOT** operate the appliance empty.
24. If the appliance overheats, a thermal switch will become activated and shut off the motor. To reset, unplug the appliance and let it cool down for approximately 10 minutes before using again.  
**NOTE:** This unit has a short power supply cord to reduce the risk resulting from becoming entangled in or tripping over a long cord. An extension cord may be used if you are careful in its use:
  1. The electrical rating of the extension cord should be at least as great as the electrical rating of the appliance.
  2. An extension cord with the power cord must be arranged so that it will not drape over the countertop or tabletop where they can be pulled on by children or tripped over accidentally.

## SAVE THESE INSTRUCTIONS

# CONSIGNES DE SÉCURITÉ IMPORTANTES

## Pour Usage Domestique Seulement

**LORSQUE DES PRODUITS ÉLECTRIQUES SONT UTILISÉS, LES PRÉCAUTIONS DE SÉCURITÉ ÉLÉMENTAIRES SUIVANTS DOIVENT TOUJOURS ÊTRE OBSERVÉES:**

**LISEZ TOUTES LES INSTRUCTIONS AVANT D'UTILISER VOTRE NINJA<sup>MD</sup> MASTER PREP<sup>MC</sup>.**

### **FICHE POLARISÉE:**

**MISE EN GARDE:** Pour réduire le risque de choc électrique, cet appareil a une fiche polarisée (une broche est plus large que l'autre). Cette fiche n'entre dans une prise de courant polarisée que d'une seule manière. Si la fiche ne rentre pas dans la prise de courant, retournez-la. Si elle ne rentre toujours pas, contactez un électricien qualifié pour installer une prise de courant appropriée. **Ne tentez JAMAIS de modifier la prise.**

1. Il faut faire preuve d'une grande vigilance lorsqu'un appareil est utilisé par des enfants ou près d'enfants.
2. Pour vous protéger contre le risque de choc électrique, **NE mettez PAS** le cordon, la fiche ou une partie quelconque du moteur dans l'eau ou dans tout autre liquide.
3. **NE laissez PAS** le cordon pendre de la table ou du comptoir, ou toucher des surfaces chaudes.
4. Évitez d'utiliser l'appareil si son cordon ou sa fiche sont endommagés ou si l'appareil fonctionne mal, qu'il a été échappé ou endommagé de quelque façon. Dans ce cas, retournez l'appareil à EURO-PRO OPERATING LLC à des fins d'examen, de réparation ou de réglage.
5. Débranchez de la prise lorsque l'appareil n'est pas utilisé et avant tout entretien.
6. **N'installez PAS** ou **NE placez PAS** près d'un chauffage à gaz ou électrique.
7. L'utilisation d'accessoires notamment des bocaux à conserves non recommandés par EURO-PRO Operating LLC pourrait provoquer un incendie, un choc électrique ou des blessures.
8. Il faut être extrêmement prudent lors du déplacement d'un appareil contenant des aliments, de l'eau ou autres liquides chauds.
9. Utilisez cet appareil sur une table de travail stable, loin de l'eau.
- 10 **N'enlevez PAS** le bloc-moteur avant que les lames aient cessé de tourner.

11. **ATTENTION!** Les lames sont très affûtées, manipulez prudemment. Lors de la manipulation des lames, tenez toujours l'appareil par le moyeu en plastique.
12. **N'essayez PAS** d'aiguiser les lames.
13. **N'exposez PAS** les bocaux à des changements de température extrêmes.
14. **N'utilisez PAS** les bocaux s'ils sont fêlés ou ébréchés.
15. **N'utilisez PAS** l'appareil si les lames sont tordues ou endommagées.
16. Évitez toujours le contact avec des pièces mobiles. Gardez les mains, les cheveux, les vêtements ainsi que les spatules et autres ustensiles loin du pichet ou du conteneur de hachage durant le fonctionnement afin d'éviter les risques de blessures et/ou de dommages à l'appareil.
17. Soyez très prudent lorsque vous mélangez des liquides chauds.
18. Relâchez immédiatement le bouton de marche/arrêt «ON/OFF» sur le bloc-moteur au cas où l'appareil ne fonctionne pas correctement durant son utilisation.
19. Pour réduire le risque de blessures, **NE faites JAMAIS** fonctionner l'appareil sans le pare-éclaboussures en place; **N'essayez PAS** de contourner le mécanisme de blocage; vérifiez que les lames sont bien assemblées avant de mettre l'appareil en marche.
20. **NE l'utilisez PAS** en plein air.
21. **N'utilisez PAS** cet appareil pour autre chose que son utilisation prévue.
22. **N'utilisez PAS** l'appareil pendant plus de 15 secondes.
23. **N'utilisez PAS** l'appareil vide.
24. En cas de surchauffe de l'appareil, un interrupteur thermique deviendra activé et coupera le moteur. Pour réinitialiser, débranchez l'appareil et laissez-le refroidir pendant environ 10 minutes avant de le réutiliser.

**REMARQUE:** Cet appareil a un cordon d'alimentation court afin de réduire les risques d'enchevêtrement ou de trébuchement sur un long cordon. Une rallonge électrique peut être utilisée si vous l'utilisez prudemment:

1. Les caractéristiques électriques de la rallonge doivent être au moins aussi grandes que les caractéristiques électriques de l'appareil.
2. Une rallonge pour le cordon d'alimentation doit être mise de manière à ce qu'elle ne retombe pas de la table ou du comptoir, d'où elle pourrait être tirée par des enfants ou sur laquelle on pourrait trébucher accidentellement.

# CONSERVEZ CETTE NOTICE

**THIS BOOK COVERS MODEL NUMBERS:**

QB900BC 30

**TECHNICAL SPECIFICATIONS**

Voltage: 120V., 60Hz.

Power: 400 Watts

Pitcher Capacity: 1.42 L (48 ounces) (6 cups)

Bowl Capacity: 0.47 L (16 ounces) (2 cups)

**Euro-Pro, Master Prep** and **Ninja** are trademarks of Euro-Pro Operating LLC.

**CE MANUEL COUVRE LE NUMÉRO DE MODÈLE:**

QB900BC 30

**SPÉCIFICATIONS TECHNIQUES**

Tension: 120V., 60Hz.

Puissance: 400 W

Capacité du Pichet: 1,42 L (48 oz) (6 tasses)

Capacité du Bol: 0,47 L (16 oz) (2 tasses)

**Euro-Pro, Master Prep** et **Ninja** sont des marques de commerce d'Euro-Pro Operating LLC.

## Contents

Thank you for  
purchasing the  
Ninja® Master  
Prep®.

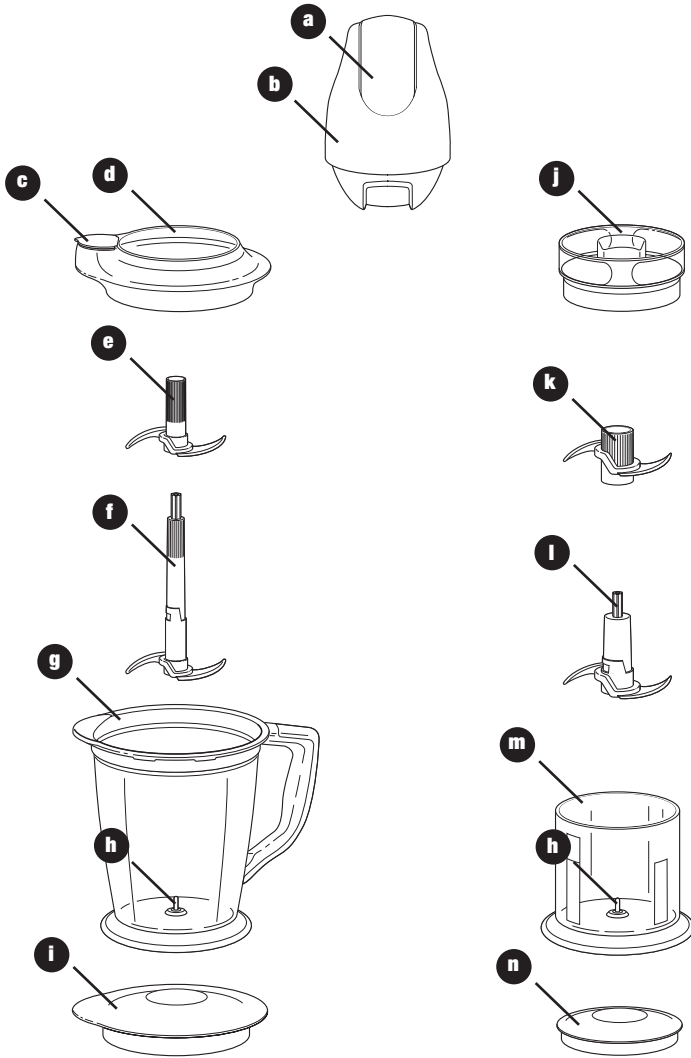
Getting Started .....	6
Using the Master Prep® Pitcher.....	8
Using the Master Prep® Bowl.....	10
Cleaning and Maintenance .....	12
Troubleshooting Guide.....	12
Warranty .....	13
Registration .....	15

## Contenu

Merci d'avoir  
acheté le Ninja<sup>MD</sup>  
Master Prep<sup>MD</sup>.

Démarrage .....	18
Utilisation du pichet Master Prep <sup>MD</sup> .....	20
Utilisation du bol Master Prep <sup>MD</sup> .....	22
Nettoyage et entretien .....	24
Guide de dépannage .....	24
Garantie .....	25
Enregistrement .....	27

# Getting Started



**a** On/Off Pulse Button

**b** Power Head

**c** Pouring Spout

**d** Pitcher Splash Guard

**e** Upper Blade (pitcher)

**f** Lower Blade (pitcher)

**g** Master Prep® Pitcher with Non-Slip Base

**h** Spindle Pin

**i** Pitcher Storage Lid

**j** Bowl Splash Guard

**k** Upper Blade (bowl)

**l** Lower Blade (bowl)

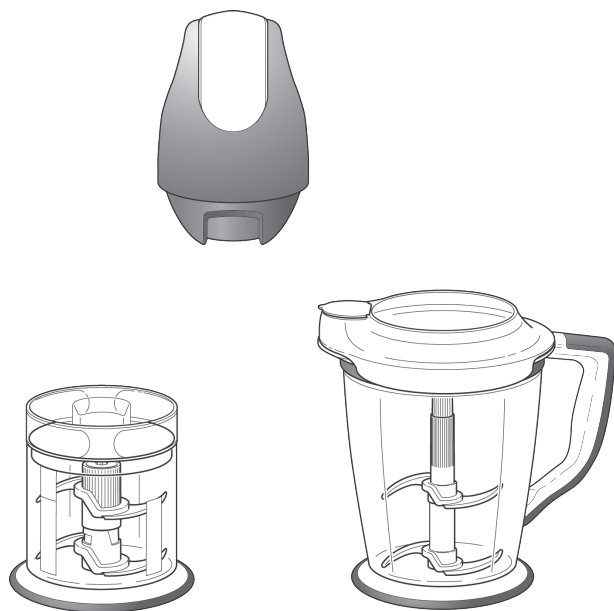
**m** Master Prep® Bowl with Non-Slip Base

**n** Bowl Storage Lid

**o** Power Cord (not shown)



The Ninja® Master Prep® is an indispensable kitchen tool that is perfect for blending, chopping, mixing or pureeing when preparing your favorite recipes. For best results, be sure to carefully read all the instructions contained in the manual before using this appliance.

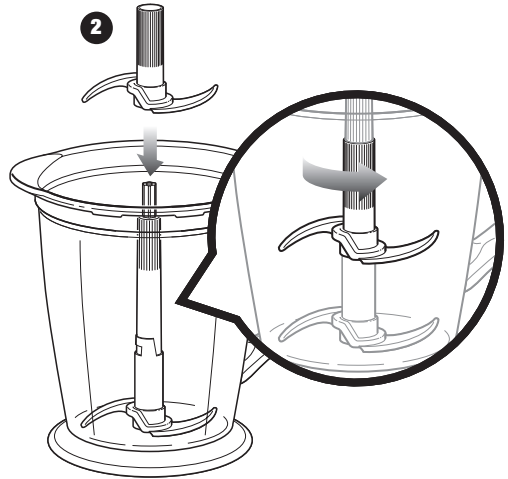
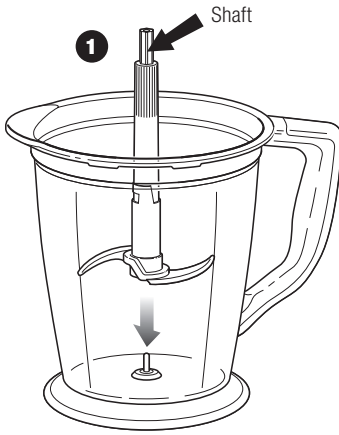


#### **400 Watt Power Head**

The 400 watt power head operates on 120V., 60Hz. electrical power. **NEVER** allow the power head to become wet when plugged into an electrical outlet.

- ⚠ WARNING:** The power head should never be immersed in water or any other liquid.
- ⚠ CAUTION:** Make sure that the power head is unplugged from the electrical outlet and that the blades have stopped turning before attaching or removing any accessory.
- ⚠ CAUTION:** **Blades are sharp!** Use extreme caution when handling the blades. Always hold them by the shaft. Do not attempt to sharpen blades.
- ⚠ IMPORTANT:** Never run the appliance empty.

## Using the Master Prep® Pitcher



**⚠ CAUTION:** Blades are sharp! Use extreme caution when handling the blades. Always hold them by the shaft.

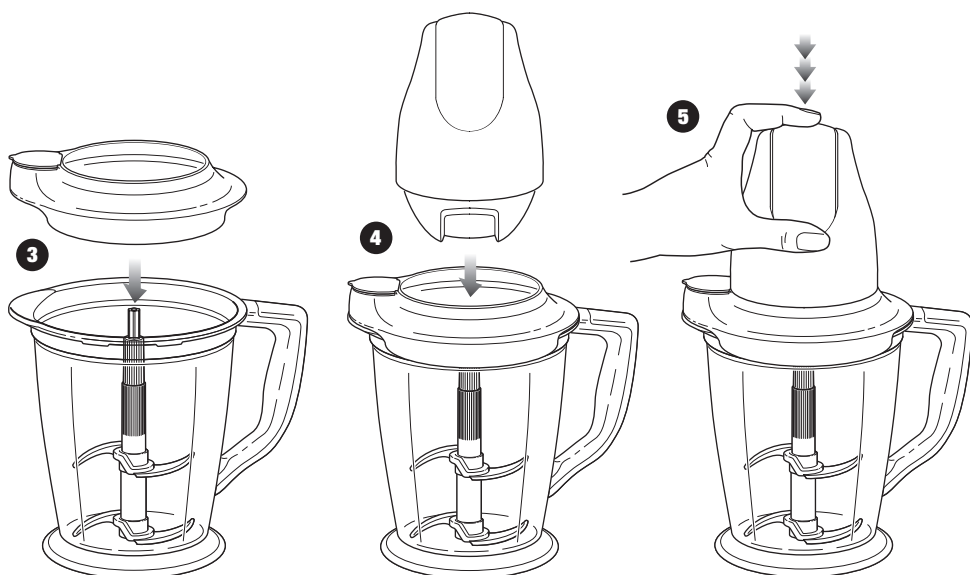
**⚠ IMPORTANT:** Never run the appliance empty.

- 1 Place the Master Prep® pitcher on a clean, dry, level surface.
- 2 Holding the lower blade by the shaft, place it onto the spindle pin inside the Master Prep® pitcher. **(fig. 1)**
- 3 Carefully insert the upper blade over the lower blade rotating it until it locks onto the lower blade. **(fig. 2)**

**⚠ IMPORTANT:** Always assemble the blades inside the container.



**⚠ WARNING: DO NOT** try to place the blades onto the power head and then into the Master Prep® pitcher.



4 Add the ingredients to be processed into the Master Prep® pitcher.

**▲ IMPORTANT:** Never add ingredients into the Master Prep® pitcher before placing the blade assembly in first.

5 Place the pitcher splash guard onto the top of the Master Prep® pitcher. (fig. 3)

6 Place the power head on top of the pitcher splash guard making sure that it is securely in place. (fig. 4) **DO NOT** attempt to operate the appliance without the safety splash guard in place.

7 To start the appliance, plug the power cord into the electrical outlet, securely hold power head while operating and press on the on/off pulse button located on the top of the power head. (fig. 5)

8 Hold the Master Prep® pitcher firmly while depressing the on/off pulse button to ensure the unit stays in place.

**NOTE: DO NOT** operate the appliance continuously for more than 15 seconds at a time.

9 To stop the appliance, remove your fingers from the on/off pulse button.

10 In order to obtain a better quality of chopping, operate the appliance by using the "pulse" method.

11 Make sure that the blades have stopped completely before removing the power head.

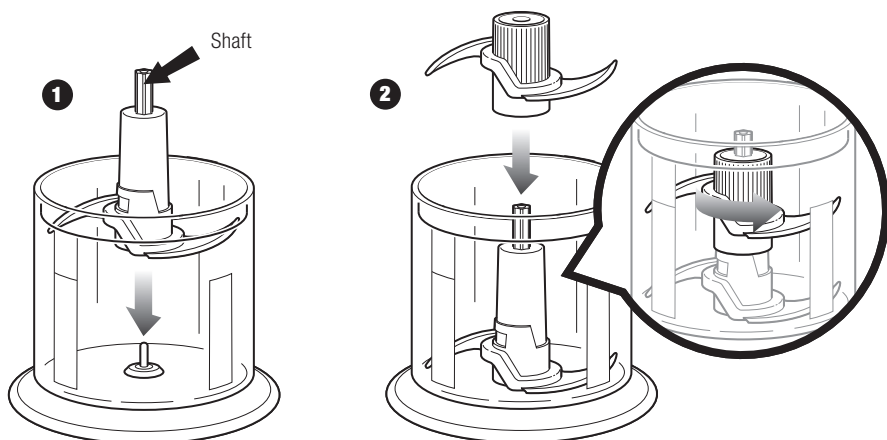
12 If the ingredients stick to the side of the Master Prep® pitcher, stop the appliance, remove the power head and the splash guard. Use a spatula to dislodge the pieces and then replace the splash guard and the power head. Continue processing.

13 Depending on the consistency of the contents, use the pouring spout to empty liquid contents.

14 For thicker consistencies, first remove splash guard and blade assembly (by its shaft), then empty contents of the Master Prep® pitcher.

15 To crush ice into snow, start by using short pulses to break up large chunks. Continue until snow is achieved.

## Using the Master Prep® Bowl



**⚠ CAUTION:** Blades are sharp! Use extreme caution when handling the blades. Always hold them by the shaft.

**⚠ IMPORTANT:** Never run the appliance empty.

**⚠ WARNING: DO NOT** crush ice in 16oz Chopper bowl or damage may occur to the unit.

- 1 Place the Master Prep® bowl on a clean, dry, level surface.
- 2 Holding the lower blade by the shaft, place it over the spindle pin inside the Master Prep® bowl. **(fig. 1)**
- 3 Carefully insert the upper blade over the lower blade rotating it until it locks onto the lower blade. **(fig. 2)**

**⚠ IMPORTANT:** Always assemble the blades inside the container.

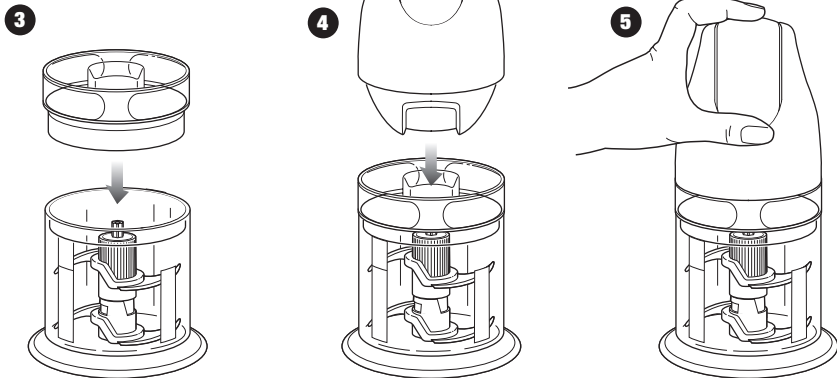


**⚠ WARNING: DO NOT** try to place the blades onto the power head and then into the Master Prep® bowl.

4 Place the food that you want to process into the Master Prep® bowl.

**⚠ IMPORTANT:** Never add ingredients into the Master Prep® bowl before placing the blade assembly in first.

**NOTE: DO NOT** add more than 2 cups dry or 1 cup liquid ingredients as this will strain the motor and may cause overflow.



- 5 Place the splash guard on the bowl. **(fig. 3)**
- 6 Place the power head on top of the splash guard making sure that it is securely in place. **(fig. 4) DO NOT** attempt to operate the appliance without the safety splash guard in place.
- 7 To start the appliance, plug the power cord into the electrical outlet, securely hold power head while operating and press on the on/off pulse button located on the top of the power head. **(fig. 5)**
- 8 Hold the Master Prep® bowl firmly while depressing the on/off pulse button to ensure the unit stays in place.  
**NOTE: DO NOT** operate the appliance continuously for more than 15 seconds at a time. Be careful not to over process. For coarsely chopped foods, use repeated short pulsing action until the desired consistency is reached.
- 9 To stop the appliance, remove your fingers from the on/off pulse button.
- 10 In order to obtain a better quality of chopping, operate the appliance by using the “pulse” method.

- 11 Make sure that the blades have stopped completely before removing the power head.
- 12 If the ingredients stick to the side of the Master Prep® bowl, stop the appliance, remove the power head and the splash guard. Use a spatula to dislodge the pieces and then replace the splash guard and the power head. Continue processing.
- 13 Remove the blade assembly by its shaft before you empty the contents of the Master Prep® bowl.

#### **HINTS & TIPS FOR USING YOUR NINJA MASTER PREP®**

- The chopping blades can be used for chopping meat, fish, vegetables, cheese etc.
- For mincing, chopping and pureeing, increase the length of pulses.
- For coarse chopping, use short, quick pulses and monitor food texture.
- Pre-cut larger pieces to make them fit into the Master Prep®. When chopping hard foods (e.g. meat, cheese) cut into 1-inch cubes.

## Cleaning and Maintenance

**⚠ CAUTION:** Make sure that the power head is unplugged from power source before inserting or removing any attachment and before cleaning.

**DO NOT** immerse the power head into water or any other liquid. Clean with a damp sponge or cloth and wipe dry.

The Master Prep® pitcher, Master Prep® bowl, storage lids, Master Prep® splash guards and chopping blades are all dishwasher safe. It is recommended to place the storage lids and the chopping blades on the top rack. Use extreme caution when handling the chopping blades as they are very sharp.

Clean the Ninja® Master Prep® and all parts before first use and immediately after each use.

## Troubleshooting Guide

PROBLEMS	POSSIBLE REASONS & SOLUTIONS
<b>Motor Doesn't Start or Blades Don't Rotate.</b>	<p>Check that the bottom of motor head is clean and there is no food blocking connection when placing on containers.</p> <p>There is too much food in the container.</p> <p>The unit has overheated. Unplug and wait approximately 10 minutes before using again.</p> <p>Make sure the splash guard is securely on container.</p> <p>Make sure the power head is securely placed on splash guard.</p> <p>Check that the plug is securely inserted into the electrical outlet.</p> <p>Check fuse or breaker. Replace fuse/reset breaker.</p>
<b>Food is Unevenly Chopped.</b>	<p>Either you are chopping too much food at one time, or the pieces are not small enough. Try cutting the food into smaller pieces of even size and processing smaller amounts per batch.</p>
<b>Food is Chopped Too Fine or is Too Watery.</b>	<p>The food has been over processed. Use brief pulses or process for shorter time. Let blades stop completely between pulses.</p>
<b>Food Collects On Splash Guard/ SafetyCover or On the Sides of the Master Prep® Pitcher or Master Prep® Bowl.</b>	<p>You may be processing too much food. Turn the machine off. When the blades stop rotating, remove the power head and the splash guard. Remove some of the food being processed.</p>
<b>You Cannot Achieve Snow From Solid Ice.</b>	<p>Do not use ice that has been sitting out or has started to melt. Be sure to use short pulses in the beginning to break up large pieces.</p>

To purchase replacement parts, please visit our website: [www.ninjakitchen.com](http://www.ninjakitchen.com)  
or contact customer service: 1-877-646-5288.

# EURO-PRO

## ONE (1) YEAR LIMITED WARRANTY

**EURO-PRO Operating LLC** warrants this product to be free from material defects and workmanship for a period of one (1) year from the date of purchase when utilized for normal household use, subject to the following conditions, exclusions and exceptions.

The liability of **EURO-PRO Operating LLC** is limited solely to the cost of the repair or replacement of the unit at our option. This Limited Warranty does not cover normal wear of parts and does not apply to any unit that has been tampered with or used for commercial purposes. This Limited Warranty does not cover damage caused by misuse, abuse, negligent handling or damage due to faulty packaging or mishandling in transit. This Limited Warranty does not cover damage or defects caused by or resulting from damages from shipping or repairs, service or alteration to the product or any of its parts, which have been performed by a repair person not authorized by **EURO-PRO Operating LLC**.

If your appliance fails to operate properly while in use under normal household conditions within the Limited Warranty period, you may return the complete appliance and accessories with proof of purchase and date, freight prepaid. For Customer Service support, call 1-877-646-5288 or visit our website [www.ninjakitchen.com](http://www.ninjakitchen.com).

If the appliance is found by **EURO-PRO Operating LLC** to be defective, in **EURO-PRO Operating LLC's** sole discretion, we will repair or replace it free of charge. Proof of purchase date and a check made payable to **EURO-PRO Operating LLC** in the amount of \$19.95 to cover the cost of return shipping and handling must be included.\*

This Limited Warranty is extended to the original purchaser of the unit and excludes all other legal, implied and/or conventional warranties. The responsibility of **EURO-PRO Operating LLC** if any, is limited to the specific obligations expressly assumed by it under the terms of this Limited Warranty. In no event is **EURO-PRO Operating LLC** liable for incidental or consequential damages to anyone of any nature whatsoever. Some states do not permit the exclusion or limitation of incidental or consequential damages, so the above may not apply to you.

This Limited Warranty gives you specific legal rights, and you may also have other rights which vary from state to state or from province to province.

**\*IMPORTANT: Carefully pack item to avoid damage in shipping. Be sure to include proof of purchase date and to attach tag to item before packing with your name, complete address and phone number with a note giving purchase information, model number and what you believe is the problem with the item. We recommend you insure the package (as damage in shipping is not covered by your Limited Warranty). Mark the outside of your package "ATTENTION CUSTOMER SERVICE".**

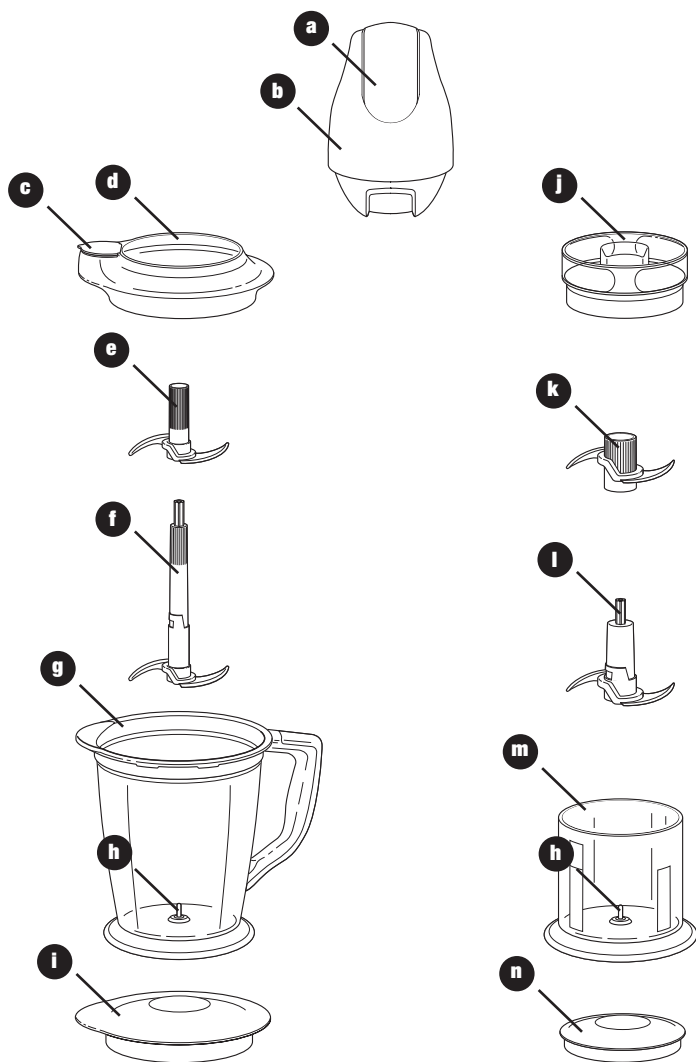
---

## Product Registration

Please visit [www.ninjakitchen.com](http://www.ninjakitchen.com) or call **1-877-646-5288** to register your new **Ninja®** product within ten (10) days of purchase. You will be asked to provide the store name, date of purchase and model number along with your name and address.

The registration will enable us to contact you in the unlikely event of a product safety notification. By registering you acknowledge to have read and understood the instructions for use, and warnings set forth in the accompanying instructions.

## Démarrage



**a** Bouton en Marche Arrêt «ON/OFF» d'Impulsion

**b** Bloc-Moteur

**c** Bec de Versement

**d** Pare-Éclaboussures pour le pichet

**e** Lame Supérieure (pichet)

**f** Lame Inférieure (pichet)

**g** Pichet Master Prep<sup>MD</sup> avec Joint de la Base Antidérapante

**h** Tige

**i** Couverture de Rangement pour pichet

**j** Pare-Éclaboussures pour le Bol

**k** Lame Supérieure (bol)

**l** Lame Inférieure (bol)

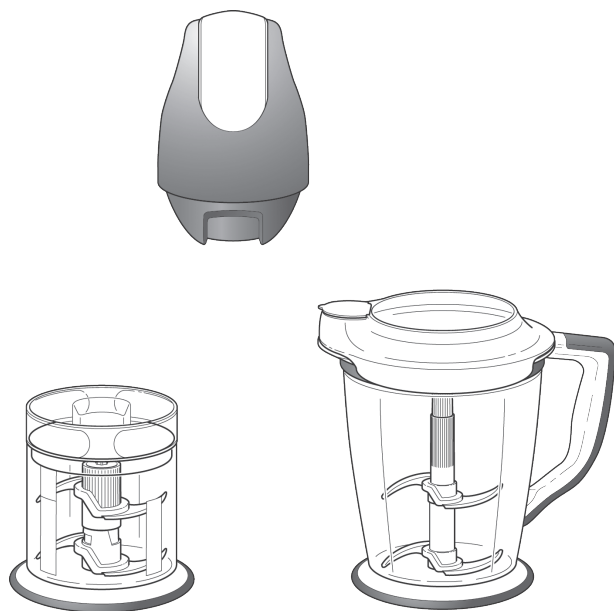
**m** Bol Master Prep<sup>MD</sup> avec Joint de la Base Antidérapante

**n** Couverture de Rangement pour Bol

**o** Cordon d'Alimentation (non illustré)



Le Ninja<sup>MD</sup> Master Prep<sup>MD</sup> est un outil de cuisine indispensable qui s'avère idéal pour mélanger, hacher, combiner ou réduire des aliments en purée en préparant vos recettes préférées. Pour les meilleurs résultats, assurez-vous de lire attentivement toutes les directives dans ce guide avant d'utiliser l'appareil.

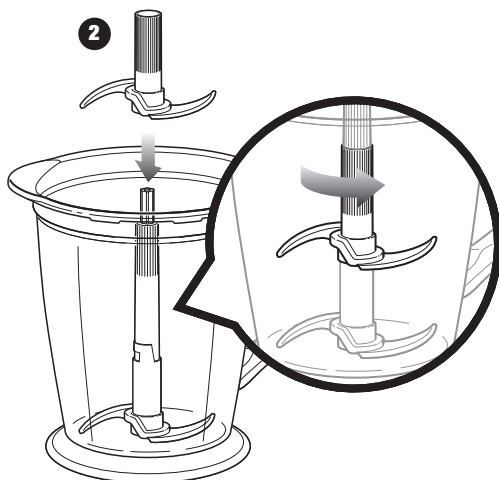
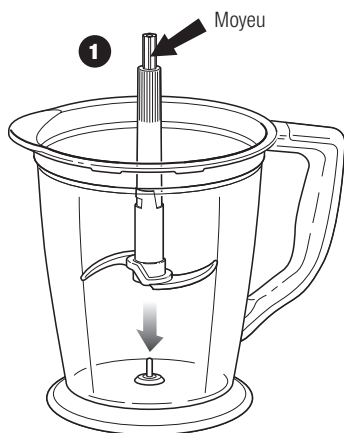


### **Bloc-Moteur de 400 W**

Le bloc-moteur de 400 W fonctionne sur une alimentation électrique de 120 V, 60 Hz. **Ne laissez JAMAIS** le bloc-moteur être mouillé lorsqu'il est branché dans une prise de courant.

- ▲ **MISE EN GARDE:** Le bloc-moteur ne doit jamais être immergé dans l'eau ou tout autre liquide.
- ▲ **ATTENTION:** Vérifiez que le bloc-moteur est débranché de la prise de courant et que les lames ont cessé de tourner avant d'attacher ou d'enlever un accessoire.
- ▲ **ATTENTION:** Les lames sont tranchantes! Soyez très prudent lorsque vous manipulez les lames. Tenez-les toujours par le moyeu. N'essayez pas d'aiguiser les lames.
- ▲ **IMPORTANT:** N'utilisez JAMAIS l'appareil lorsqu'il est vide.

## Utilisation du pichet Master Prep<sup>MD</sup>



**⚠ ATTENTION :** Les lames sont tranchantes! Soyez très prudent lorsque vous manipulez les lames. Tenez-les toujours par le moyeu.

**⚠ IMPORTANT :** N'utilisez jamais l'appareil lorsqu'il est vide.

1 Placez le pichet Master Prep<sup>MD</sup> sur une surface propre, sèche et plane.

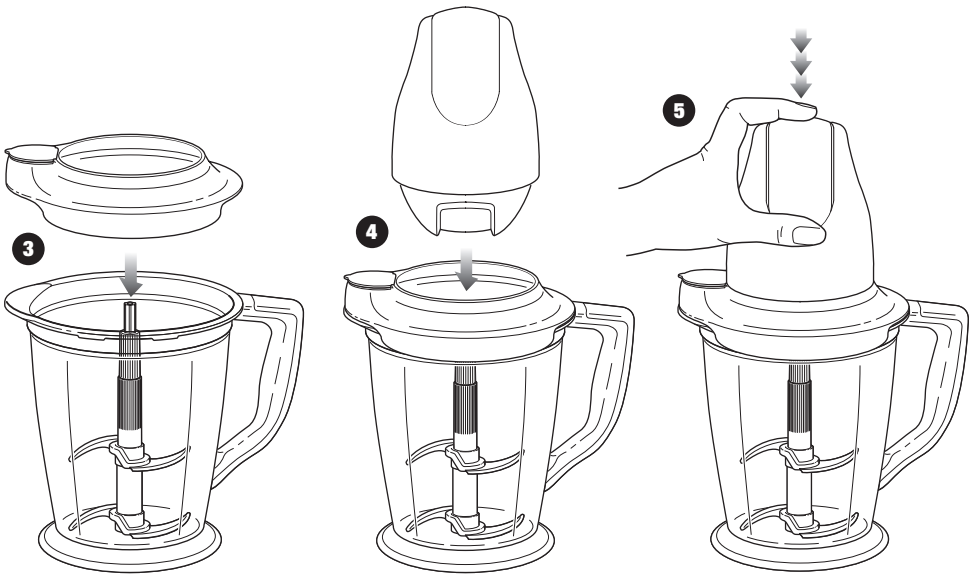
2 Tenez la lame inférieure par le moyeu, placez-le sur la tige à l'intérieur du pichet Master Prep<sup>MD</sup>. (**fig. 1**)

3 Insérez prudemment la lame supérieure sur la lame inférieure et faites la tourner jusqu'à ce qu'elle soit verrouillée sur la lame inférieure. (**fig. 2**)

**⚠ IMPORTANT:** Assemblez toujours les lames à l'intérieur du conteneur.



**⚠ MISE EN GARDE: N'essayez PAS** de placer les lames sur le bloc-moteur puis sur le pichet Master Prep<sup>MD</sup>.



4 Ajoutez les ingrédients à préparer dans le pichet Master Prep<sup>MD</sup>.

▲ **IMPORTANT:** N'ajoutez jamais d'ingrédients dans le pichet Master Prep<sup>MD</sup> avant d'avoir placé l'ensemble de lames.

5 Placez le pare-éclaboussures sur le pichet Master Prep<sup>MD</sup>. (fig. 3)

6 Placez le bloc-moteur sur le pare-éclaboussures et vérifiez qu'il est bien en place. (fig. 4) **N'essayez PAS** de faire fonctionner l'appareil sans la sécurité du pare-éclaboussures en place.

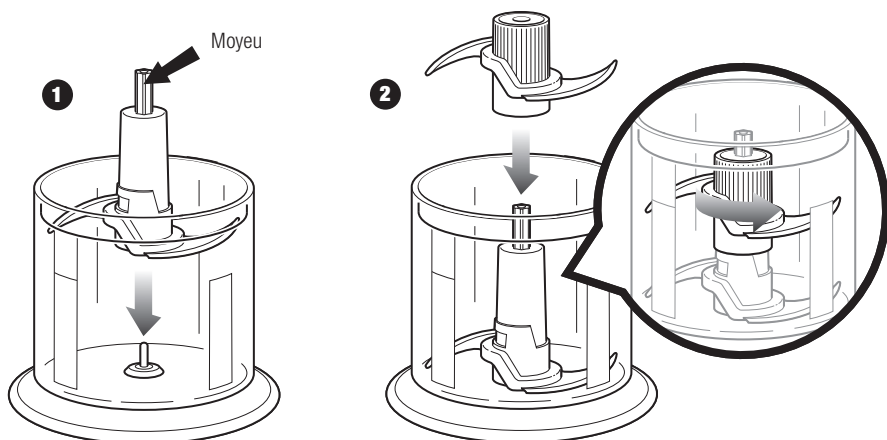
7 Pour démarrer l'appareil, branchez le cordon d'alimentation dans la prise de courant, tenez fermement le bloc-moteur lors du fonctionnement et appuyez sur le bouton de marche/arrêt «ON/OFF» d'impulsion, situé en haut du bloc-moteur. (fig. 5)

8 Tenez le pichet Master Prep<sup>MD</sup> fermement tout en appuyant sur le bouton de marche/arrêt «ON/OFF» d'impulsion afin de vous assurer que l'appareil reste bien en place.

**REMARQUE: NE faites PAS** fonctionner l'appareil continuellement pendant plus de 15 secondes à la fois.

- 9 Pour arrêter l'appareil, libérez le bouton de pulsation de marche/arrêt «ON/OFF»
- 10 Pour de meilleurs résultats de hachage, utilisez la méthode «par impulsion».
- 11 Vérifiez que les lames ont complètement fini de tourner avant d'enlever le bloc-moteur.
- 12 Si les ingrédients collent aux parois du pichet Master Prep<sup>MD</sup>, arrêtez l'appareil, enlevez le bloc-moteur et le pare-éclaboussures. Utilisez une spatule pour déloger les morceaux et replacez le pare-éclaboussures et le bloc-moteur. Continuez la préparation.
- 13 Selon la consistance du contenu, utilisez le bec de versement pour vider le contenu liquide.
- 14 Pour les consistances plus épaisses, enlevez d'abord le pare-éclaboussures et l'assemblage des lames (par son moyeu), puis videz le contenu du Pichet Master Prep<sup>MD</sup>.
- 15 Pour broyer de la glace en neige, commencez avec de courtes pulsations pour concasser les gros morceaux. Continuez jusqu'à ce qu'une consistance de neige soit réalisée.

## Utilisation du bol Master Prep<sup>MD</sup>



▲ **ATTENTION:** Les lames sont tranchantes! Soyez très prudent lorsque vous manipulez les lames. Tenez-les toujours par le moyeu.

▲ **IMPORTANT:** N'utilisez jamais l'appareil lorsqu'il est vide.

▲ **AVERTISSEMENT :** Afin de ne pas endommager l'appareil, ne broyez **PAS** de la glace dans le bol de broyage de 470 mL.

- 1 Placez le bol Master Prep<sup>MD</sup> sur une surface propre, sèche et plate.
- 2 Tenez la lame inférieure par le moyeu, placez-la sur la tige à l'intérieur du bol Master Prep<sup>MD</sup>. (fig. 1)
- 3 Insérez prudemment la lame supérieure sur la lame inférieure et faites la tourner jusqu'à ce qu'elle soit verrouillée sur la lame inférieure. (fig. 2)

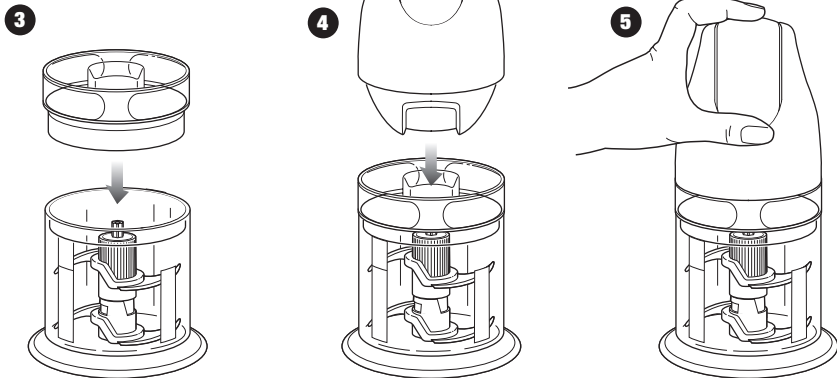
▲ **IMPORTANT:** Assemblez toujours les lames à l'intérieur du contenu.

▲ **MISE EN GARDE:** N'essayez **PAS** de placer les lames sur le bloc-moteur puis sur le bol Master Prep<sup>MD</sup>.

4 Placez les aliments que vous désirez préparer dans le bol Master Prep<sup>MD</sup>.

▲ **IMPORTANT:** N'ajoutez jamais d'ingrédients dans le bol Master Prep<sup>MD</sup> avant d'avoir placé l'assemblage des lames.

**REMARQUE:** N'ajoutez **PAS** plus de 2 tasses d'ingrédients secs ou 1 tasse d'ingrédients liquides, car cela demandera trop d'effort au moteur et pourrait provoquer un débordement.



- 3 Placez le pare-éclaboussures sur le bol. (fig. 3)
- 6 Placez le bloc-moteur sur le pare-éclaboussures et vérifiez qu'il est bien en place. (fig. 4) **N'essayez PAS** de faire fonctionner l'appareil sans la sécurité du pare-éclaboussures en place.
- 7 Pour faire démarrer l'appareil, branchez le cordon d'alimentation dans la prise de courant, tenez fermement le bloc-moteur lors du fonctionnement et appuyez sur le bouton de marche/arrêt «ON/OFF» d'impulsion, situé en haut du bloc-moteur. (fig. 5)
- 8 Tenez le bol Master Prep<sup>MD</sup> fermement tout en appuyant sur le bouton de marche/arrêt «ON/OFF» d'impulsion afin de vous assurer que l'appareil reste bien en place.

**REMARQUE: NE faites PAS** fonctionner l'appareil continuellement pendant plus de 15 secondes à la fois. Faites attention de ne pas trop hacher. Pour des aliments grossièrement hachés, utilisez plusieurs impulsions courtes jusqu'à l'obtention de la consistance désirée.

- 9 Pour arrêter l'appareil, relâchez le bouton de marche/arrêt «ON/OFF» d'impulsion.
- 10 Pour de meilleurs résultats de hachage, utilisez la méthode par «impulsion».

- 11 Vérifiez que les lames ont complètement fini de tourner avant d'enlever le pare-éclaboussures.
- 12 Si les ingrédients collent aux parois du bol Master Prep<sup>MD</sup>, arrêtez l'appareil, enlevez le bloc-moteur et le pare-éclaboussures. Utilisez une spatule pour déloger les morceaux et remplacez le pare-éclaboussures et le bloc-moteur. Continuez la préparation.
- 13 Enlevez l'assemblage des lames par le moyen avant de vider le contenu du pichet Master Prep<sup>MD</sup>.

#### INDICES ET CONSEILS POUR UTILISER VOTRE NINJA<sup>MD</sup> MASTER PREP<sup>MC</sup>

- Les lames peuvent être utilisées pour hacher de la viande, du poisson, des légumes, du fromage, etc.
- Pour hacher, couper et faire de la purée, augmentez la longueur des impulsions.
- Pour couper plus grossièrement, utilisez des impulsions courtes et rapides tout en surveillant la texture des aliments.
- Pré-coupez les gros morceaux de manière à ce qu'ils entrent dans le Master Prep<sup>MD</sup>. Lors du hachage d'aliments durs (par ex. viande, fromage), coupez-les en cubes de 2,5 cm (1 po).

## Nettoyage et Entretien

**⚠ ATTENTION:** Vérifiez que le bloc-moteur est débranché de la source d'alimentation avant d'insérer ou d'enlever un accessoire et avant de nettoyer.

**N'immergez PAS** le bloc-moteur dans de l'eau ou dans tout autre liquide. Nettoyez avec une éponge humide et un linge, et essuyez pour sécher.

Le pichet Master Prep<sup>MD</sup>, le bol Master Prep<sup>MD</sup>, les couvercles, les pare-éclaboussures Master Prep<sup>MD</sup> et les lames peuvent être lavés dans le lave-vaisselle. Nous recommandons de mettre les couvercles et les lames dans le panier supérieur. Soyez très prudent lorsque vous manipulez les lames car elles sont très aiguisées.

Nettoyez le Ninja<sup>MD</sup> Master Prep<sup>MD</sup> et toutes ses pièces avant la première utilisation et immédiatement après chaque utilisation subséquente.

## Guide de Dépannage

PROBLÈMES	RAISONS ET SOLUTIONS POSSIBLES
<b>Le Moteur ne Démarre pas ou les Lames ne Tournent pas.</b>	Vérifiez que le bas de la tête moteur soit propre et qu'il n'y ait aucun aliment bloquant le raccordement aux récipients. Il y a trop d'aliments dans le récipient. L'appareil a surchauffé. Débranchez-le et attendez 10 minutes avant de l'utiliser. Assurez-vous que l'écran anti-éclaboussures soit solidement en place sur le récipient. Assurez-vous que la tête moteur soit solidement en place sur l'écran anti-éclaboussures. Assurez-vous que la fiche soit correctement insérée dans la prise électrique. Inspectez le fusible ou le disjoncteur. Remplacez le fusible/réinitialisez le disjoncteur.
<b>Les aliments ne sortent pas uniformément hachés.</b>	Vous tentez d'hacher trop d'aliments en même temps, ou les pièces sont trop grosses. Tentez de couper les aliments en plus petites pièces de taille uniforme, et de transformer de plus petits montants.
<b>Les Aliments Sont Hachés Trop Fin ou c'est Trop Liquide.</b>	Les aliments ont été trop hachés. Utilisez de brèves impulsions ou hachez pendant moins de temps. Laissez les lames s'arrêter complètement entre les impulsions.
<b>Les Aliments s'Accumulent Sur le Pare-Éclaboussures/Couvercle de Sécurité ou Sur les Côtés du Pichet Master Prep<sup>MD</sup> ou du Bol Master Prep<sup>MD</sup>.</b>	Il se peut que vous transformiez trop d'aliments. Arrêtez l'appareil. Une fois que les lames cessent de tourner, enlevez la tête moteur et le pare-éclaboussures. Enlevez des aliments.
<b>Vous n'arrivez pas à transformer la glace solide en neige.</b>	N'utilisez pas de la glace qui fut laissée hors du congélateur ou qui commence à fondre. Assurez-vous d'employer de courtes pulsations au début afin de concasser les plus gros morceaux.

Pour acheter des pièces de remplacement, veuillez visiter notre site web: [www.ninjakitchen.com](http://www.ninjakitchen.com) ou contactez le service à la clientèle au : 1-877-646-5288.

# EURO-PRO

## GARANTIE LIMITÉE D'UN (1) AN

**EURO-PRO Operating LLC** garantit ce produit contre toute défectuosité de matériel ou de main-d'œuvre pour une période d'un (1) an à compter de la date d'achat, dans le cadre d'une utilisation domestique normale, en vertu des conditions, exclusions et exceptions suivantes.

La responsabilité d'**EURO-PRO Operating LLC** se limite au coût des réparations ou du remplacement de l'appareil, à sa discrétion. Cette garantie limitée ne couvre pas l'usure normale des pièces et ne s'applique pas aux appareils ayant été altérés ou utilisés à des fins commerciales. Cette garantie limitée ne couvre pas les dommages causés par une mauvaise utilisation, l'usage abusif, la négligence lors de la manipulation, un emballage inadéquat ou la mauvaise manipulation en transit. Cette garantie limitée ne couvre pas les dommages ou défauts causés par ou résultant du transport, des réparations, ou de l'entretien ni de l'altération du produit ou de ses pièces, effectués par un réparateur non autorisé par **EURO-PRO Operating LLC**.

Si votre appareil ne fonctionne pas correctement dans des conditions d'utilisation domestiques normales, et ce, pendant la période de garantie limitée, vous pouvez retourner l'appareil et les accessoires avec la preuve et la date d'achat, port payé. Pour le Service à la clientèle, appelez le 1-877-646-5288 ou visitez notre site Web : [www.ninjakitchen.com](http://www.ninjakitchen.com).

Si **EURO-PRO Operating LLC** constate que l'appareil est défectueux, à la seule discrétion d'**EURO-PRO Operating LLC**, nous le réparerons ou le remplacerons sans frais. Vous devez inclure une preuve de la date d'achat ainsi qu'un chèque de 19,95 \$ au nom d'**EURO-PRO Operating LLC** au pour couvrir les frais d'expédition et de manutention du retour du produit.\*

Cette garantie limitée s'applique à l'acheteur original de l'appareil et exclut toutes les autres garanties juridiques, implicites ou conventionnelles. Le cas échéant, la responsabilité d'**EURO-PRO Operating LLC** se limite aux obligations spécifiques expressément énoncées au titre de cette garantie limitée.

En aucun cas **EURO-PRO Operating LLC** ne peut être tenue responsable d'incidents ou de dommages indirects à quiconque et de toute nature que ce soit. Certains états et certaines provinces n'autorisent pas l'exclusion ou la limitation de dommages accessoires ou indirects; dans ce cas, cette disposition ne s'appliquerait pas.

La garantie limitée vous confère des droits juridiques auxquels peuvent s'ajouter d'autres droits qui varient d'un État à l'autre et d'une province à l'autre.

**\*IMPORTANT : Emballez soigneusement l'appareil pour éviter tout dommage lors du transport. Assurez-vous que la preuve d'achat soit incluse et qu'une étiquette indiquant votre nom, adresse complète et numéro de téléphone, ainsi qu'une note avec les renseignements sur l'achat, le numéro de modèle et le problème, soient attachées à l'appareil. Nous vous recommandons d'assurer votre colis (puisque les dommages lors du transport ne sont pas couverts par la garantie limitée). Indiquez sur l'extérieur de votre colis « À L'ATTENTION DE : SERVICE À LA CLIENTÈLE ».**

---

## Enregistrement du produit

Veillez visiter le site Web [www.ninjakitchen.com](http://www.ninjakitchen.com) ou composer le **1-877-646-5288** pour enregistrer votre nouveau produit **Ninja**<sup>®</sup> dans les dix (10) jours suivant l'achat. Vous devrez fournir le nom du magasin, la date d'achat, le numéro de modèle, ainsi que votre nom et adresse.

L'enregistrement nous permettra de vous contacter dans l'éventualité peu probable d'un avis sur la sécurité du produit. En enregistrant votre produit, vous reconnaissez avoir lu et compris les instructions d'utilisation et les consignes de sécurité énoncées dans ce document.

**Euro-Pro Operating LLC**

**US: Newton, MA 02459**

**CAN: Ville St-Laurent, QC H4S 1A7**

**1-877-646-5288**

**[www.ninjakitchen.com](http://www.ninjakitchen.com)**

Copyright / Droit d'Auteur © Euro-Pro Operating LLC 2014

**Euro-Pro, Master Prep** and **Ninja** are trademarks of Euro-Pro Operating LLC.

**Euro-Pro, Master Prep** et **Ninja** sont des marques de commerce d'Euro-Pro Operating LLC.

Illustrations may differ from actual product. We are constantly striving to improve our products, therefore the specifications contained herein are subject to change without notice.

Les illustrations peuvent être différentes des produits réels. Nous nous efforçons sans cesse d'améliorer nos produits et, de ce fait, les spécifications décrites dans ce guide sont sujettes à des changements sans préavis.

Printed in China  
Imprimé en Chine

QB900BC\_30\_IB\_ENG\_FR\_140613\_1