

Shark IONFLEX™ 2X

Cord-Free ULTRA-LIGHT

IF280/UF280

Series

OWNER'S GUIDE



@sharkcleaning

IMPORTANT SAFETY INSTRUCTIONS

FOR HOUSEHOLD USE ONLY • PLEASE READ CAREFULLY BEFORE USE

If the plug does not fit fully into the outlet, reverse the plug. If it still does not fit, contact a qualified electrician. DO NOT force into outlet or try to modify to fit.

WARNING

To reduce the risk of fire, electric shock, injury, or property damage:

THE DUOCLEAN® FLOOR NOZZLE, WAND, AND HANDVAC CONTAIN ELECTRICAL CONNECTIONS:

1. This vacuum consists of a motorized nozzle, wand, and handvac. These components contain electrical connections, electrical wiring, and moving parts that potentially present risk to the user.
2. Before each use, carefully inspect all parts for any damage. If a part is damaged, discontinue use.
3. Use only identical replacement parts.
4. This vacuum contains no serviceable parts.
5. Use only as described in this manual. **DO NOT** use the vacuum for any purpose other than those described in this manual.
6. With the exception of filters, **DO NOT** expose any parts of the vacuum to water or other liquids.

GENERAL USE

7. This vacuum is not intended for use by anyone with reduced physical, sensory or mental capabilities, or lack of experience and knowledge, unless they have been given supervision or instruction concerning use of the appliance by a person responsible for their safety. Children should be supervised to ensure that they do not play with the vacuum.
8. Always turn off the vacuum before connecting or disconnecting any current carrying hoses, motorized nozzles, chargers, batteries, or other electrical or mechanical parts.
9. **DO NOT** handle plug or vacuum with wet hands.
10. **DO NOT** use without dust cup, filters, and brushrolls in place.

11. Only use Shark® branded filters and accessories. Failure to do so will void the warranty.
12. **DO NOT** put any objects into nozzle or accessory openings. **DO NOT** use with any opening blocked; keep free of dust, lint, hair, and anything that may reduce airflow.
13. **DO NOT** use if nozzle or accessory airflow is restricted. If the air paths or the motorized floor nozzle become blocked, turn the vacuum off and remove the battery. Remove all obstructions before you reinsert the battery and turn on the unit again.
14. Keep nozzle and all vacuum openings away from hair, face, fingers, uncovered feet, or loose clothing.
15. **DO NOT** use if vacuum is not working as it should, or has been dropped, damaged, left outdoors, or dropped into water.
16. Use extra care when cleaning on stairs.
17. **DO NOT** leave the vacuum unattended while powered on.
18. When powered on, keep the vacuum moving over the carpet surface at all times to avoid damaging the carpet fibers.
19. **DO NOT** place vacuum on unstable surfaces such as chairs or tables.
20. **DO NOT** use to pick up:
 - a) Liquids
 - b) Large objects
 - c) Hard or sharp objects (glass, nails, screws, or coins)
 - d) Large quantities of dust (including drywall, fireplace ash, or embers). **DO NOT** use as an attachment to power tools for dust collection.
 - e) Smoking or burning objects (hot coals, cigarette butts, or matches)
 - f) Flammable or combustible materials (lighter fluid, gasoline, or kerosene)
 - g) Toxic materials (chlorine bleach, ammonia, or drain cleaner)

21. **DO NOT** use in the following areas:
 - a) Poorly lit areas
 - b) Wet or damp surfaces
 - c) Outdoor areas
 - d) Spaces that are enclosed and may contain explosive or toxic fumes or vapors (lighter fluid, gasoline, kerosene, paint, paint thinners, mothproofing substances, or flammable dust)
22. Turn off the vacuum before inserting or removing the battery, as well as before plugging in or unplugging the charger.
23. Turn off the vacuum and remove the battery before any adjustment, cleaning, maintenance or troubleshooting.
24. During cleaning or routine maintenance, **DO NOT** cut anything other than hair, fibers, or string wrapped around the brushroll.
25. Allow all filters to air-dry completely before replacing in the vacuum to prevent liquid from being drawn into electric parts.
26. **DO NOT** modify or attempt to repair the vacuum or the battery yourself, except as indicated in this manual. **DO NOT** use the battery or vacuum if it has been modified or damaged.

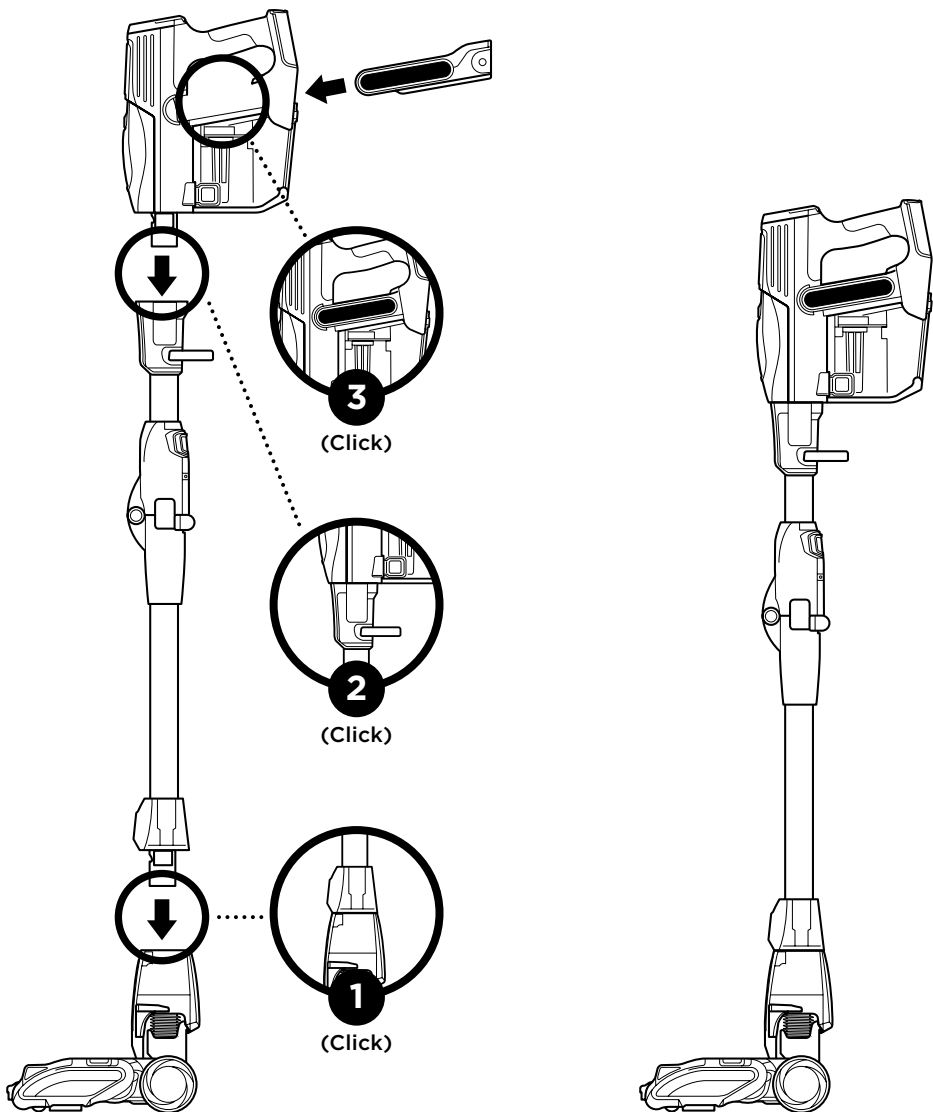
BATTERY PACK

27. The battery is the power source for the vacuum. Carefully read and follow all charging instructions.
28. To prevent unintentional starting, ensure the vacuum is powered off before picking up or carrying the vacuum. **DO NOT** carry the appliance with your finger on the power switch.

29. Use only Shark® chargers YLS0243A-T288080 or YLS0483A-T2880802. Use of incorrect charger may create a risk of fire when used with ION Power Pack Battery XBAT200.
30. Keep the battery away from all metal objects such as paper clips, coins, keys, nails, or screws. Shorting the battery terminals increases the risk of fire or burns.
31. Under abusive conditions, liquid may be ejected from the battery. Avoid contact with this liquid, as it may cause irritation or burns. If contact occurs, flush with water. If liquid contacts eyes, seek medical help.
32. Battery should not be stored at temperatures below 37.4°F (3°C) or above 104°F (40°C) to maintain long-term battery life.
33. **DO NOT** charge battery at temperatures below 50°F (10°C) or above 104°F (40°C).
34. Store the appliance indoors. **DO NOT** use or store it below 37.4°F (3°C). Ensure the appliance is at room temperature before operating.
35. **DO NOT** expose the battery to fire or temperatures above 265°F (130°C) as it may cause explosion.

SAVE THESE INSTRUCTIONS

ASSEMBLY



1. Insert wand into floor nozzle.
2. Insert handheld vacuum into wand.
3. Insert battery into handheld vacuum.

For proper operation, ensure all components are firmly connected.

YOUR ION POWER PACK BATTERY

Your **ION Power Pack Battery** does not come fully charged. Prior to first use, charge completely. During first use, discharge fully to condition your ION Power Pack Battery. Failure to do so may cause LED indications to work incorrectly.

RECYCLING THE ION POWER PACK BATTERY

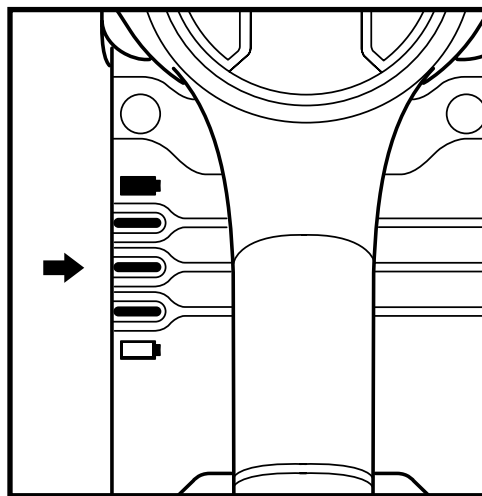
When your ION Power Pack Battery needs to be replaced, dispose of it or recycle it in accordance with local ordinances or regulations. In some areas, it is illegal to place spent lithium-ion batteries in the trash or in a municipal solid waste stream. Return spent power packs to an authorized recycling center or to retailer for recycling. Contact your local recycling center for information on where to drop off the spent power pack.

RUNTIMES PER FULLY-CHARGED BATTERY

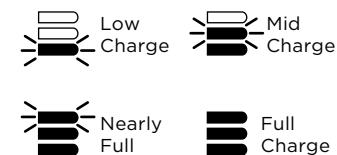
MODE AND SETTINGS	ION POWER	ION BOOST
HANDVAC ONLY	Up to 40 Minutes	Up to 12 Minutes
BARE FLOOR (Wand/Nozzle Connected)	Up to 32 Minutes	Up to 11 Minutes
CARPET (Wand/Nozzle Connected)	Up to 26 Minutes	Up to 10 Minutes

NOTE: See enclosed Quick Start Guide for number of ION Power Pack batteries included with your vacuum.

LED BATTERY POWER AND CHARGING INDICATORS

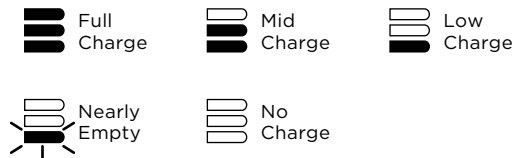


Charging



NOTE: Full charge takes approximately 3.5 hours.

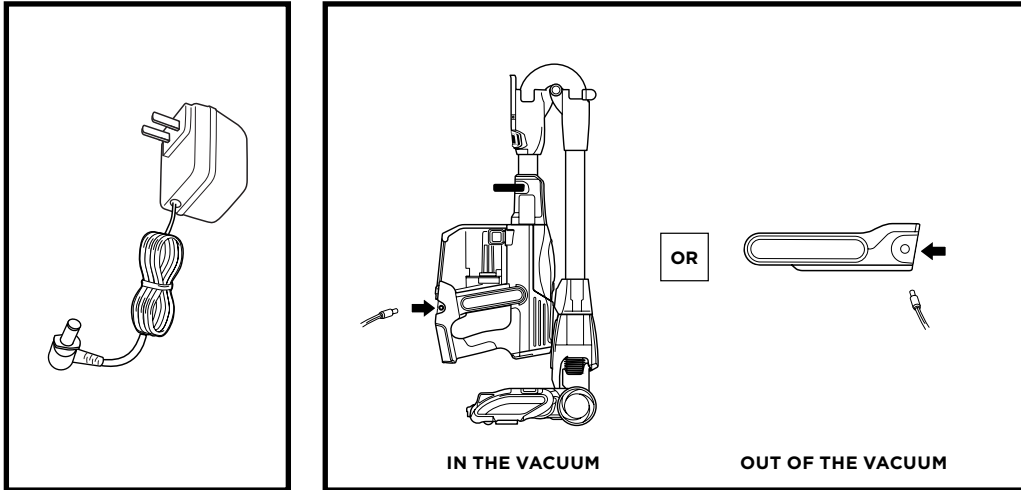
In Use



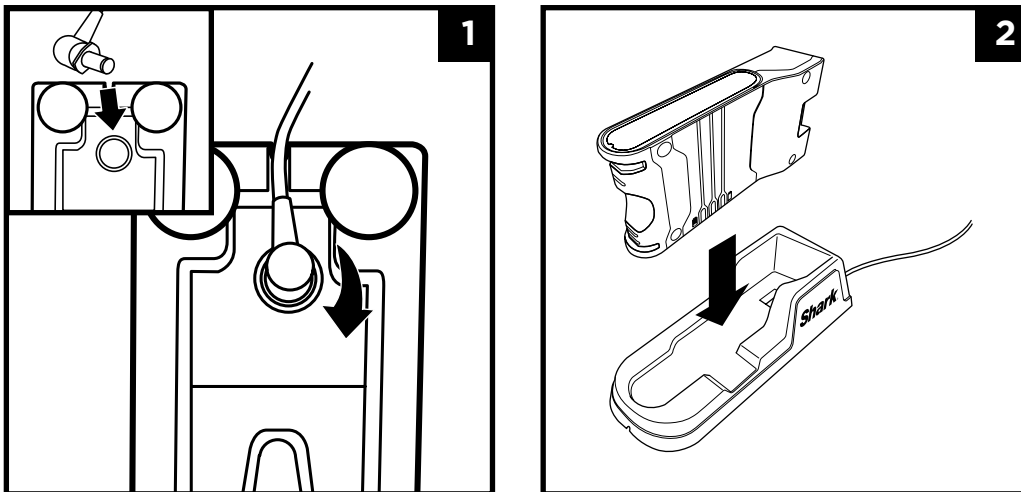
NOTE: A complete charge takes approximately 3.5 hours. The ION Power Pack, like all lithium-ion products, will naturally decrease in capacity over time from the 100% capacity of a new battery.

CHARGING THE ION POWER PACK BATTERY

USING THE ION POWER PACK CHARGER



USING THE ION POWER PACK CHARGING DOCK



Connect **ION Power Pack Battery Charger** to the **Charging Dock** by inserting the charger plug into the port. Turn plug clockwise to lock.

Place battery onto dock, then connect charger to wall outlet.

NOTE: Not all units come with the charging dock. See enclosed Quick Start Guide for your configuration.

SMART RESPONSE™ TECHNOLOGY

Surface Settings

Power Button

Suction Settings

CARPET
For carpets.

FLOOR
For bare floors and small area rugs.

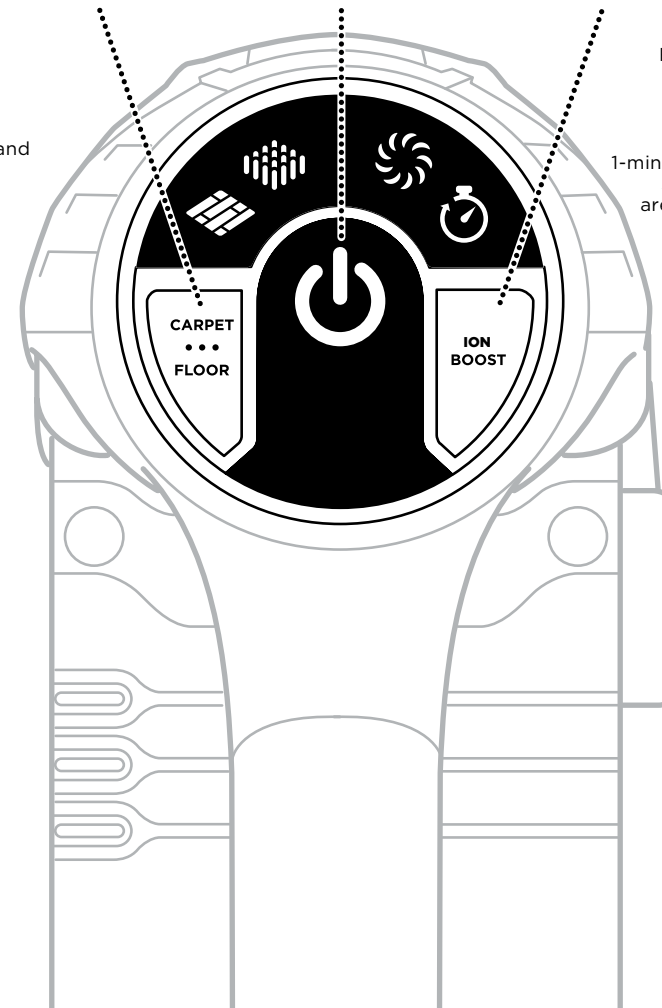
ION POWER
For everyday cleaning.

ION BOOST
Press for a timed 1-minute boost of increased suction for high-traffic areas and heavy messes.

To use **ION BOOST** mode for longer than 1-minute, you can re-press the **ION BOOST** button when the 1-minute period ends.

You can end **ION BOOST** mode prior to the 1-minute by pressing the **ION BOOST** button.

Press and hold **ION BOOST** for manual control of the mode for as long as you need it.



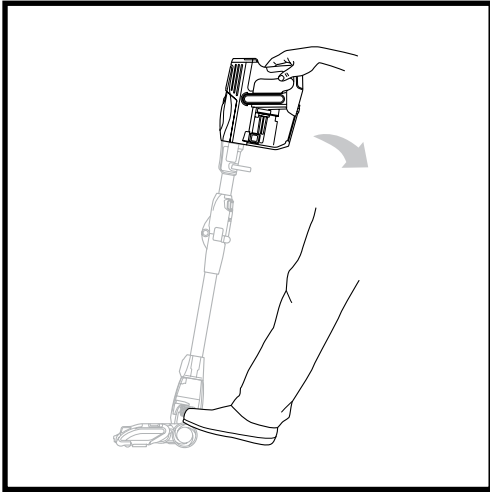
PLEASE NOTE: Use of **ION BOOST** Mode will drain your ION Power Pack faster.

NOTE: Select Carpet setting for stuck-on dirt and debris.

NOTE: For deep cleaning per ASTM F 608 (embedded dirt in carpets) please select **CARPET** and **ION BOOST** settings.

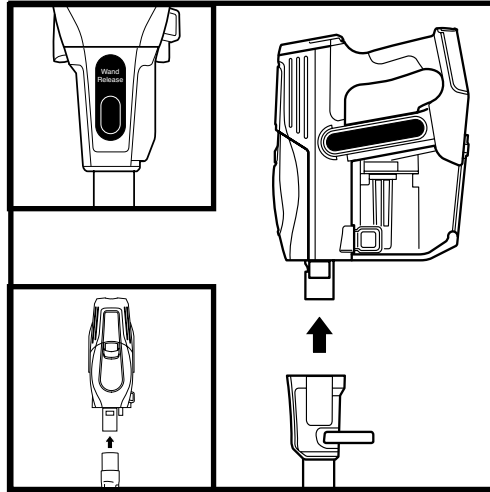
VERSATILE CLEANING

FLOOR



Press the **Power** button, then choose your **Surface** setting and your **Suction** setting. Place your foot gently on the floor nozzle and tilt the handle back.

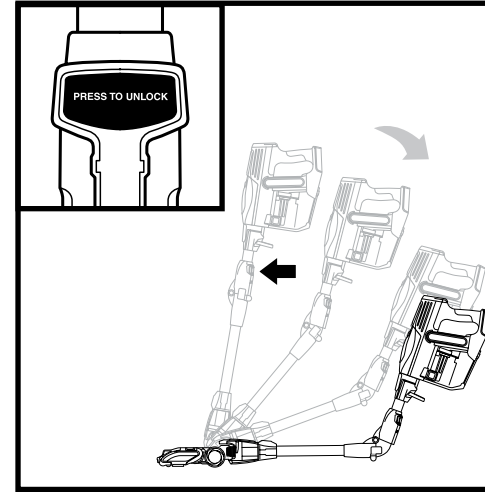
ABOVE FLOOR



Press the **Wand Release** button to disconnect the handheld vacuum. Attach accessory, then press the power button.

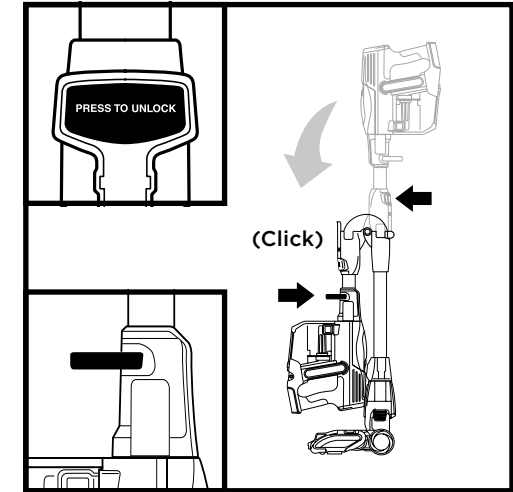
USING THE MULTIFLEX® WAND

MULTIFLEX® REACH

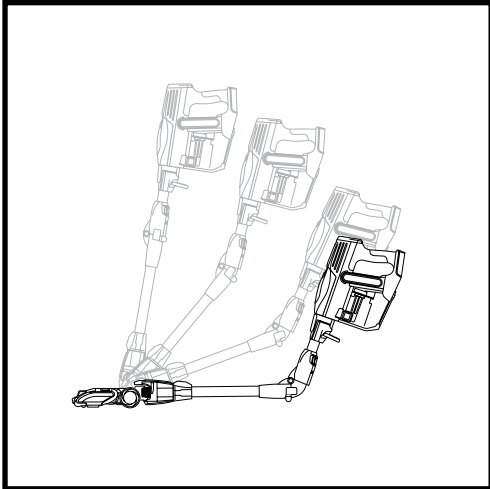


Press the **MultiFLEX® Wand** button to position the wand to a lower angle for ease of use under low furniture.

MULTIFLEX® STORAGE

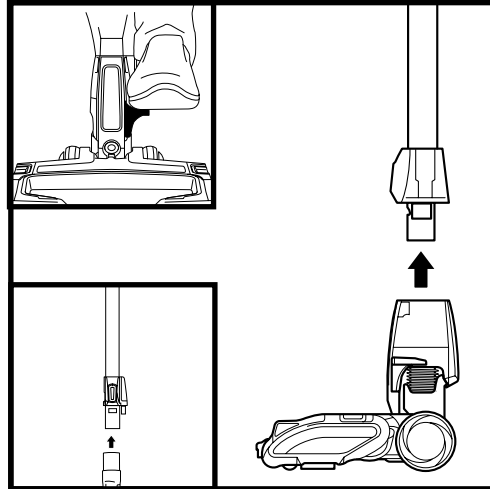


Press the **MultiFLEX® Wand** button and hold it down while folding the handheld vacuum forward. Use the handle to carry the vacuum.



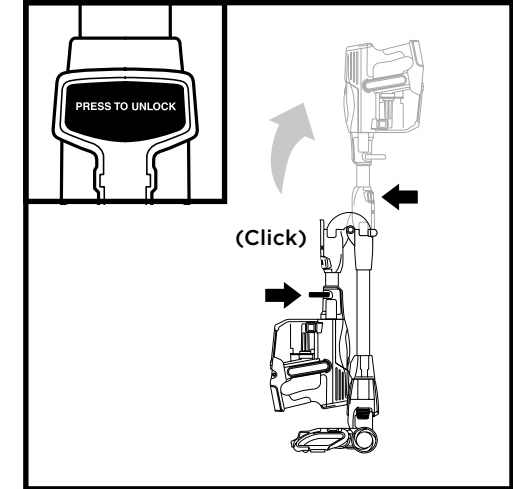
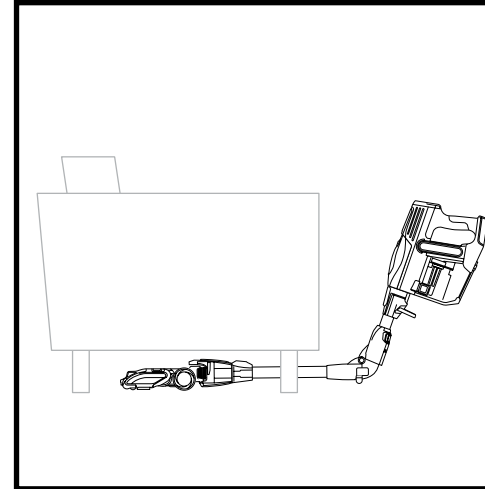
For low furniture, take advantage of the MultiFlex® wand. See next page.

NOTE: Brushrolls will only engage when the handle is tilted back.



Stand the vacuum upright. Step on the **Floor Nozzle Release** pedal and pull the wand up to disconnect it from the floor nozzle. Attach accessory, then press the power button.

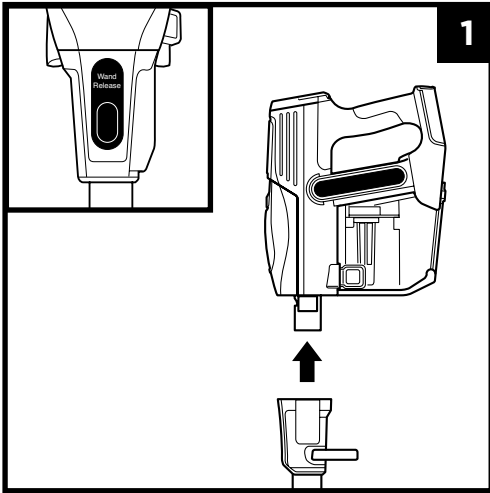
NOTE: All accessories are compatible with both the handvac and the wand.



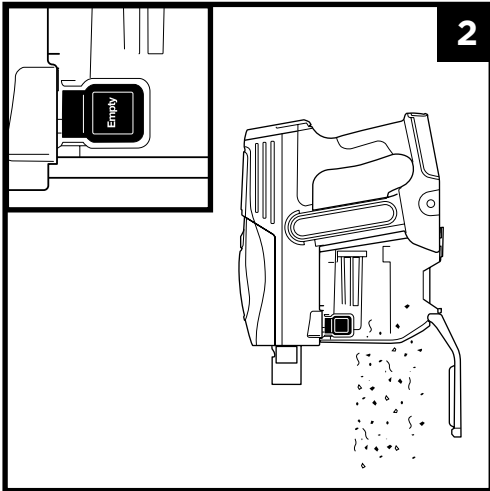
To take the vacuum out of storage mode, press the MultiFlex® Wand button while lifting up the handheld vacuum.

MAINTAINING YOUR VACUUM

EMPTYING THE DUSTCUP



Disconnect the hand vacuum from the wand.



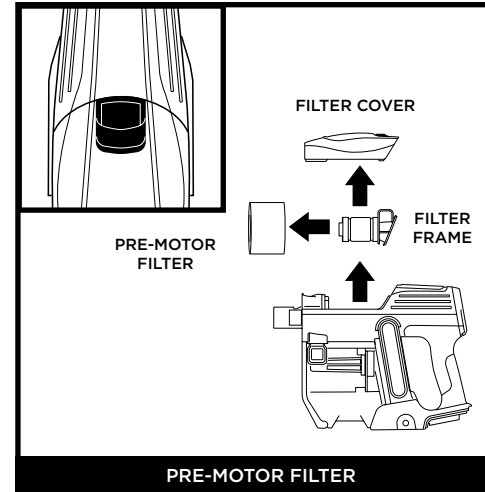
Press the dust cup **Empty** button.

MAINTAINING YOUR VACUUM

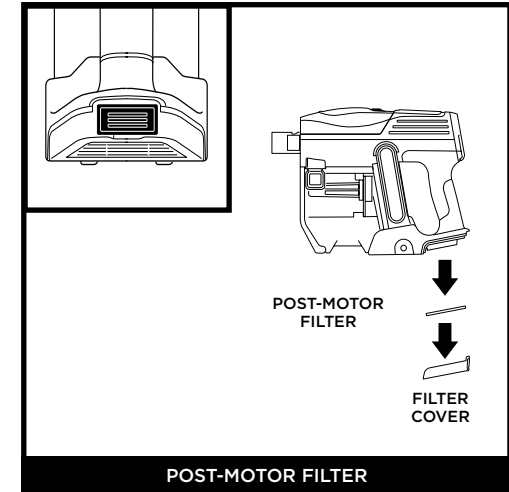
CLEANING THE FILTERS

To clean filters, rinse with water only to prevent damage from cleaning chemicals. Allow all filters to air-dry for at least 24 hours before replacing them in the vacuum to prevent liquid from being drawn into electric parts.

IMPORTANT: DO NOT use soap when cleaning the filters.



Remove cover and frame. Slide filter off frame. Rinse with water. Air-dry completely for at least 24 hours before reinserting. Tap off loose dirt between washes as needed.

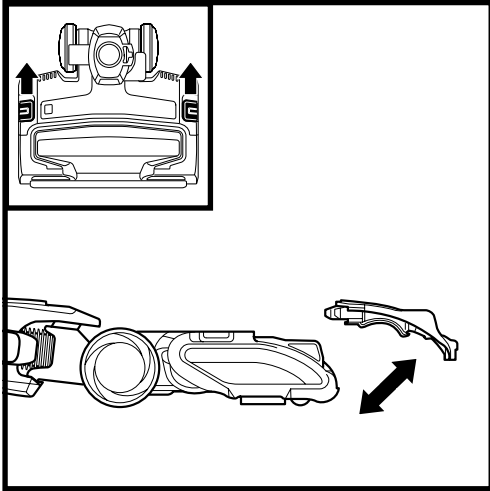


Remove cover and filter. Rinse filter with water. Air-dry completely for at least 24 hours before reinserting. Tap off loose dirt between washes as needed.

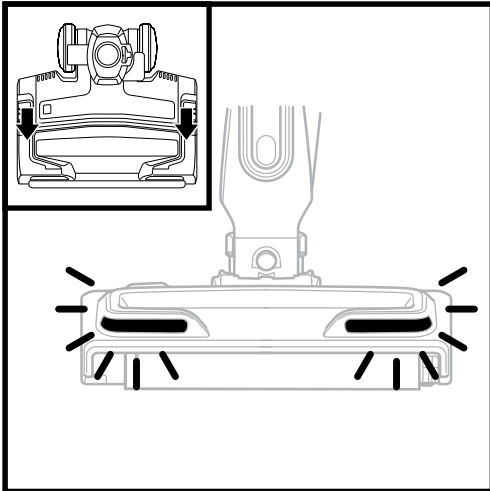
NOTE: To order filters and other parts, visit sharkaccessories.com.

MAINTAINING YOUR VACUUM

ACCESSING BRUSHROLLS



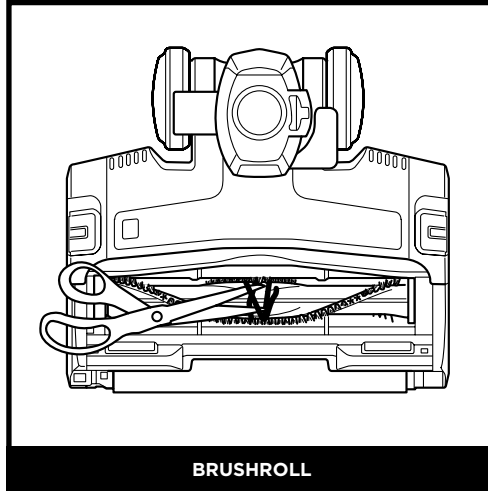
Open the brushroll garage by sliding back the release buttons. To close, insert the tabs on the lid into the slots on the nozzle, then press down both sides.



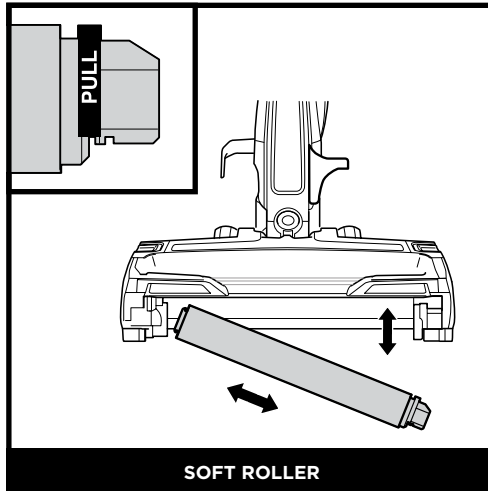
To close the garage door lid, insert the tabs on the lid into the slots on the nozzle, then press down on both sides of the lid until it clicks securely into place.

NOTE: If the headlights are flashing, the brushroll garage lid is not clicked securely into place on both sides. The lights will flash and the brushrolls will not spin until both sides of the lid are securely clicked into place.

CLEANING BRUSHROLLS



Run scissors along the guide on the brushroll to remove any string, hair, or debris.

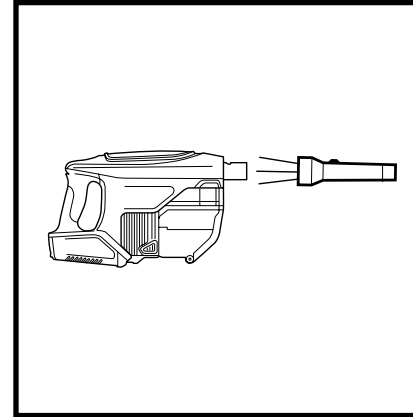


Pull out roller by the tab. Remove any string, carpet fibers, or hair, and remove debris from the roller housing. Wash the roller as needed, using only water. Air-dry completely for at least 24 hours before reinserting.

Reinsert roller by sliding it into the front of the floor nozzle until it clicks into place.

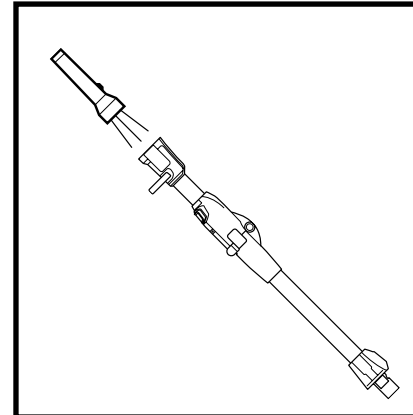
MAINTAINING YOUR VACUUM

CHECKING FOR BLOCKAGES



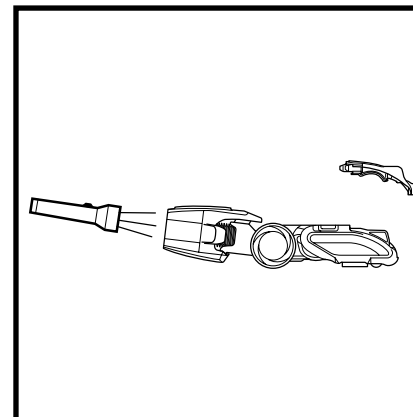
Turn off vacuum and remove battery.

Remove the handheld vacuum from the wand and check all intake openings to the dust cup.



Turn off vacuum and remove battery.

Remove the hand vacuum and floor nozzle from the wand and check the wand for blockages.



Turn off vacuum and remove battery.

Remove the floor nozzle from the wand. Tilt neck of floor nozzle back to straighten the airway to remove blockages.

TROUBLE SHOOTING

⚠ WARNING: To reduce the risk of shock and unintended operation, turn off power and remove the ION Power Pack before servicing.

Vacuum is not picking up debris, no suction or light suction. (Refer to Maintenance section for more information.)

- Check filters to see if they need cleaning. Follow instructions for rinsing and completely air-drying the filters before reinserting in the vacuum.
- Dust cup may be full; empty dust cup.
- Check floor nozzle for blockages; clear blockages if required.
- Remove any string, carpet fibers, or hair that may be wrapped around the brushroll.
- Check connection between handvac and wand for blockages; clear blockages if required. If the issue persists, please contact Customer Service.

Vacuum lifts area rugs.

- Check that vacuum is in ION POWER mode. Take care when vacuuming area rugs or rugs with delicately sewn edges.
- Turn off the unit to disengage the brushroll and restart with the Power button.

Brushroll/Soft Roller does not spin.

- If Brushroll Indicator Light on the floor nozzle turns red, the brushroll has stopped spinning. Immediately turn off and remove ION Power Pack from handheld vacuum and remove any blockages before reconnecting and turning vacuum back on. If light turns green, the blockage has been successfully cleared. If any blockages remains red, please contact Customer Service.
- If headlights are not illuminated, there is a connection issue between the handheld vacuum, wand, and nozzle. Try disconnecting and reattaching the pieces. If the headlights still do not illuminate, please contact Customer Service.

Vacuum turns off on its own.

There are several possible reasons for the vacuum turning off on its own, including blockages, ION Power Pack issues, and overheating. If vacuum turns off on its own, perform the following steps:

1. Check LED lights on ION Power Pack to see if it needs to be recharged. If power pack does not need charging, turn off vacuum and remove power pack.
2. Empty dust cup and clean filters (see Maintenance section).
3. Check wand, accessories, and inlet openings and remove any blockages.
4. Allow unit and ION Power Pack to cool for at least 45 minutes, until it returns to room temperature.
5. Return power pack to vacuum and press Power button.

Note: If vacuum still does not operate properly, contact Customer Service.

LED lights on ION Power Pack are flashing.

- Bottom LED light is flashing (Fig. A): ION Power Pack needs to be charged.
- Top and bottom LED lights are flashing (Fig. B): ION Power Pack temperature is not optimal, so charging is temporarily paused. Leave power pack plugged in and charging will resume soon.
- If top 2 or bottom 2 LED lights are flashing (Fig. C, Fig. D), call Customer Service.



Fig. A



Fig. B



Fig. C

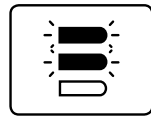
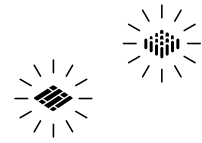
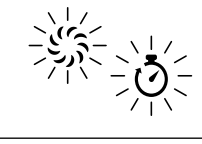
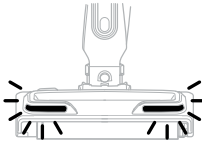


Fig. D

TROUBLE SHOOTING

LIGHT INDICATOR		WHAT IT MEANS
	FLOOR and CARPET icons alternate illuminating	Unit temperature is high. Turn off vacuum. While unit is cooling, look for blockages and remove any that are found. Filters may also need to be cleaned.
	ION POWER and ION BOOST icons are flashing together	Blockage detected. Turn off unit and remove blockage.
	Headlights are flashing	Debris caught in the brushroll. Turn off the vacuum, then remove debris. Garage door lid may not be properly closed Turn off the vacuum, and ensure the lid is properly clicked in on both sides.

For all other issues, please call Customer Service at 1-800-798-7398.

FIVE (5) YEAR LIMITED WARRANTY

The 5-Year Limited Warranty applies to purchases made from authorized retailers of **SharkNinja Operating LLC**. Warranty coverage applies to the original owner and to the original product only and is not transferable. ION Power Pack is not covered by 5-year warranty (See battery warranty on next page).

SharkNinja warrants that the unit shall be free from defects in material and workmanship for a period of 5 years from the date of purchase when it is used under normal household conditions and maintained according to the requirements outlined in this instruction manual, subject to the following conditions and exclusions.

What is covered in my warranty?

1. The original unit and/or non-wearable components deemed defective, in SharkNinja's sole discretion, will be repaired or replaced for up to 5 years from the original purchase date.
2. In the rare event that a replacement unit is issued, the warranty coverage ends six months following the receipt date of the replacement unit or the remainder of the existing warranty, whichever is greater. If the unit is replaced, SharkNinja reserves the right to replace the unit with one of equal or greater value.

What is not covered in my warranty?

Our Customer Service/Product Specialists are available to provide all the warranty service options available to you, including the possibility of upgrading to our VIP Warranty Service Options for select product categories.

1. Normal wear and tear of wearable parts such as foam filters, HEPA filters, pads etc., which require regular maintenance and/or replacement to ensure the proper functioning of your unit are not covered by this warranty.
2. Any unit that has been tampered with or used for commercial purposes.
3. SharkNinja will cover the cost for the customer to send in the unit to us for repair or replacement. A fee of \$19.95 for return shipping costs will be charged at the time of return shipment of the repaired or replacement unit.
4. Damage caused by misuse, abuse, or negligent handling, or damage due to mishandling in transit.
5. Consequential and incidental damages.
6. Defects caused by or resulting from damages from shipping or from repairs, service or alteration to the product or any of its parts which have been performed by a repair person not authorized by SharkNinja.
7. Products purchased, used or operated outside of North America.

Problems with your unit/How to get service

If your appliance fails to operate properly while in use under normal household conditions within the warranty period, visit sharkclean.com for product care/maintenance self-help. Our Customer Service and product specialists are also available at 1-800-798-7398 to assist with product support and warranty service options.

How to initiate a warranty claim

You can call 1-800-798-7398 to have a Customer Service specialist assist you. Please note you must call 1-800-798-7398 to initiate a warranty claim. Return and Packing Instruction information will be provided at that time.

For Customer Service hours, visit sharkclean.com.

Replacement parts are available for purchase at sharkclean.com. For more information on which parts are classified as wearable and non-wearable, please visit sharkclean.com/warranty.

This warranty gives you specific legal rights, and you also may have other rights that vary from state to state.

Some states do not permit the exclusion or limitation of incidental or consequential damages, so the above may not apply to you.

TWO (2) YEAR LIMITED BATTERY WARRANTY

The 2-Year Limited Warranty applies to purchases made from authorized retailers of **SharkNinja Operating LLC**. Warranty coverage applies to the original owner and to the original battery only and is not transferable.

SharkNinja warrants that the ION Power Pack shall be free from defects in material and workmanship for a period of 2 years from the date of purchase when it is used under normal household conditions and maintained according to the requirements outlined in this instruction manual, subject to the following conditions and exclusions.

What is covered in my warranty?

1. The original ION Power Pack, deemed defective, in SharkNinja's sole discretion, will be replaced for up to 2 years from the original purchase date.
2. In the rare event that a replacement battery is issued, the warranty coverage for the replacement battery ends six months following the receipt date of the replacement battery or the remainder of the existing warranty, whichever is greater.

What is not covered in my warranty?

Our Customer Service/Product Specialists are available to provide all the warranty service options available to you.

1. Normal wear and tear of ION Power Pack, which requires optimal temperature storage and operation to ensure the proper functioning of your battery, is not covered by this warranty.
2. Any battery that has been tampered with or used for commercial purposes.
3. Damage caused by misuse, abuse, or negligent handling, or damage due to mishandling in transit.
4. Consequential and incidental damages.
5. Defects caused by or resulting from damages from shipping or from repairs, service or alteration to the product or any of its parts which have been performed by a repair person not authorized by SharkNinja.
6. Products purchased, used or operated outside of North America.

Problems with your battery

If your ION Power Pack fails to operate properly while in use under normal household conditions within the warranty period, visit sharkclean.com for product care/maintenance self-help. Our Customer Service and product specialists are also available at 1-800-798-7398 to assist with product support and warranty service options.

SharkNinja will cover the cost for the customer to send in the battery to us for replacement. A fee of \$19.95 for return shipping costs will be charged at the time of return shipment of the replacement battery.

How to initiate a warranty claim

You can call 1-800-798-7398 to have a Customer Service specialist assist you. Please note you must call 1-800-798-7398 to initiate a warranty claim.

For Customer Service hours, visit sharkclean.com.

Replacement ION Power Packs are available for purchase at sharkclean.com/batteries.

This warranty gives you specific legal rights, and you also may have other rights that vary from state to state.

Some states do not permit the exclusion or limitation of incidental or consequential damages, so the above may not apply to you.

NOTES

NOTES

REGISTER YOUR PURCHASE



registryourshark.com



RECORD THIS INFORMATION

Model Number: _____

Date Code: _____

Date of Purchase: _____
(Keep receipt)

Store of Purchase: _____

TECHNICAL SPECIFICATIONS

Voltage: 25.2V

Watts: 300W

Amps: 11.9A

PLEASE READ CAREFULLY AND KEEP FOR FUTURE REFERENCE.

This Owner's Guide is designed to help you keep your vacuum running at peak performance.

SharkNinja Operating LLC
US: Needham, MA 02494
CAN: Ville St-Laurent, QC H4S 1A7

1-800-798-7398
sharkclean.com

Illustrations may differ from actual product. We are constantly striving to improve our products; therefore the specifications contained herein are subject to change without notice.

For SharkNinja U.S. Patent information, visit www.sharkninja.com/USPatents

TIP: You can find the model and serial numbers on the QR code label which is located on the bottom of the back of the handvac and battery.

BATTERY REMOVAL AND DISPOSAL

This product uses a lithium-ion rechargeable and recyclable battery. When the battery no longer holds a charge, it should be removed from the vacuum and recycled. **DO NOT incinerate or compost the battery.**

When your lithium-ion battery needs to be replaced, dispose of it or recycle it in accordance with local ordinances or regulations. In some areas, it is illegal to place spent lithium-ion batteries in the trash or in a municipal solid waste stream. Return spent battery to an authorized recycling center or to retailer for recycling. Contact your local recycling center for information on where to drop off the spent battery.

The RBRC™ (Rechargeable Battery Recycling Corporation) seal on the lithium-ion battery indicates that the costs to recycle the battery at the end of its useful life have already been paid by SharkNinja. In some areas, it is illegal to place spent lithium-ion batteries in the trash or municipal solid waste stream and the RBRC program provides an environmentally conscious alternative.

RBRC, in cooperation with SharkNinja and other battery users, has established programs in the United States and Canada to facilitate the collection of spent lithium-ion batteries. Help protect our environment and conserve natural resources by returning the spent lithium-ion battery to an authorized SharkNinja service center or to your local retailer for recycling. You may also contact your local recycling center for information on where to drop off the spent battery, or call 1-800-798-7398.



Shark

© 2018 SharkNinja Operating LLC. MULTIFLEX and SHARK are registered trademarks of SharkNinja Operating LLC. SHARK ION, and SMART RESPONSE are trademarks of SharkNinja Operating LLC. RBRC is a trademark of Rechargeable Battery Recycling Corporation.

IF280_UF280_IONFLEX_IB_E_REV_180620

PRINTED IN CHINA