

# ***Shark***<sup>®</sup>

## **Navigator**<sup>™</sup>

### ***Lift-Away*** DELUXE

**NV360**

**NV361**

**Series**

---

#### **INSTRUCTIONS**



sharkclean.com





1-800-798-7398

# THANK YOU

for purchasing the Shark Navigator® Lift-Away® Deluxe

## REGISTER YOUR PURCHASE

 registeryourshark.com

 1-800-798-7398

## RECORD THIS INFORMATION

Model Number: \_\_\_\_\_

Date Code: \_\_\_\_\_

Date of Purchase (Keep receipt): \_\_\_\_\_

Store of Purchase: \_\_\_\_\_

## TECHNICAL SPECIFICATIONS

Voltage: 120V., 60Hz

Watts: 1200W

Amps: 10A

## PLEASE READ CAREFULLY AND KEEP FOR FUTURE REFERENCE.

This instruction manual is designed to help you get a complete understanding of your new Shark Navigator Lift-Away Deluxe.

If you should have a question, please call the Customer Service line at 1-800-798-7398.

# CONTENTS

**Important Safety Instructions..... 3**

**Getting To Know Your Shark Navigator® Lift-Away® Deluxe ..... 5**

**Using Your Vacuum in Upright Mode..... 7**

Assembly ..... 7

Usage..... 8

**Using Your Vacuum in Lift-Away Mode ..... 9**

**Above-Floor Cleaning..... 10**

**Storage and Maintenance ..... 11**

Storage ..... 11

Emptying the Dust Cup..... 12

Cleaning the Pre-Motor Filters..... 12

Cleaning the Post-Motor HEPA Filter ..... 13


Cleaning the Air-Driven Pet Brush ..... 14


Cleaning the Motorized Floor Nozzle..... 14

Checking for Blockages..... 15

**Troubleshooting Guide..... 16**

**Warranty ..... 18**

 **TIP:** You can find the model number on the rating label located on the back of your unit.

 **TIP:** You can locate the date code on one of the prongs of the power cord plug.

# IMPORTANT SAFETY INSTRUCTIONS

## HOUSEHOLD USE ONLY

**To reduce the risk of electric shock, this vacuum cleaner has a polarized plug (one blade is wider than the other). As a safety feature, this plug will fit into a polarized outlet only one way. If the plug does not fit fully into the outlet, reverse the plug. If it still does not fit, contact a qualified electrician. DO NOT force into outlet or try to modify to fit.**

## **⚠ WARNING**

### **TO REDUCE THE RISK OF FIRE, ELECTRIC SHOCK OR INJURY:**

#### **GENERAL WARNINGS**

1. Your vacuum cleaner may consist of a motorized nozzle, wand, hose, and/or vacuum pod. This device contains electrical connections, electrical wiring, and moving parts that potentially present risk to the user.
2. Use only identical replacement parts.
3. Carefully observe and follow the instructions provided below to avoid improper use of the appliance. **DO NOT** use the vacuum for any purpose other than those described in this manual.
4. Before use, carefully inspect all parts for any damage. **DO NOT** use if any parts are damaged.
5. The use of an extension cord is **NOT** recommended.
6. This vacuum cleaner contains no serviceable parts.

#### **USE WARNINGS**

7. **DO NOT** allow the appliance to be used by children. Close supervision is necessary when used near children. This is not a toy.
8. Always turn off the vacuum cleaner before connecting or disconnecting any motorized nozzles or other accessories.
9. **DO NOT** handle plug or vacuum cleaner with wet hands.
10. **DO NOT** use without filters in place.

11. Only use Shark® branded filters and accessories. Failure to do so will also void the warranty.
12. **DO NOT** damage the power cord:
  - a) **DO NOT** pull or carry vacuum cleaner by the cord or use the cord as a handle.
  - b) **DO NOT** unplug by pulling on cord. Grasp the plug, not the cord.
  - c) **DO NOT** run the vacuum cleaner over the power cord, close a door on the cord, pull the cord around sharp corners, or leave the cord near heated surfaces.
13. **DO NOT** put any objects into nozzle or accessory openings. **DO NOT** use with any opening blocked; keep free of dust, lint, hair, and anything that may reduce airflow.
14. **DO NOT** use if nozzle or accessory airflow is restricted. If the air paths or the motorized floor nozzle become blocked, turn the vacuum cleaner off and unplug from electrical outlet. Remove all obstructions before you plug in and turn on the unit again.
15. Keep nozzle and all vacuum openings away from hair, face, fingers, uncovered feet, or loose clothing.
16. **DO NOT** use if vacuum cleaner is not working as it should, or has been dropped, damaged, left outdoors, or dropped into water.

# SAVE THESE INSTRUCTIONS

## READ ALL INSTRUCTIONS BEFORE USE

17. Use extra care when cleaning on stairs.
18. **DO NOT** leave the vacuum cleaner unattended while plugged in.
19. When powered on, keep the vacuum cleaner moving over the carpet surface at all times to avoid damaging the carpet fibers.
20. **DO NOT** place vacuum cleaner on unstable surfaces such as chairs or tables.
21. Your Shark® Vacuum may not be designed to stand up on its own. When taking a break from cleaning, you may need to lean it against furniture or a wall, or lay it flat on the floor. Using the vacuum for an application where the unit lacks stability may result in personal injury.
22. **DO NOT** use to pick up:
  - a) Liquids
  - b) Large objects
  - c) Hard or sharp objects (glass, nails, screws, or coins)
  - d) Large quantities of dust (drywall dust, fireplace ash, or embers). **DO NOT** use as an attachment to power tools for dust collection.
  - e) Smoking or burning objects (hot coals, cigarette butts, or matches)
  - f) Flammable or combustible materials (lighter fluid, gasoline, or kerosene)
  - g) Toxic materials (chlorine bleach, ammonia, or drain cleaner)
23. **DO NOT** use in the following areas:
  - a) Poorly lit areas
  - b) Wet or damp surfaces
  - c) Outdoor areas
  - d) Spaces that are enclosed and may contain explosive or toxic fumes or vapors (lighter fluid, gasoline, kerosene, paint, paint thinners, mothproofing substances, or flammable dust)
24. Turn off all controls before plugging in or unplugging the vacuum.
25. Unplug from electrical outlet when not in use and before any maintenance or cleaning.
26. Hand wash with water only. Washing with cleaning chemicals could damage the unit.
27. During cleaning or routine maintenance, **DO NOT** cut anything other than hair, fibers, or string wrapped around the brushroll.
28. Allow all filters to air-dry completely before replacing in the vacuum to prevent liquid from being drawn into electric parts.
29. Make sure the dust cup and all filters are in place after routine maintenance.
30. If provided, secure the power cord around the two cord hooks during storage.

# GETTING TO KNOW YOUR SHARK NAVIGATOR® LIFT-AWAY® DELUXE

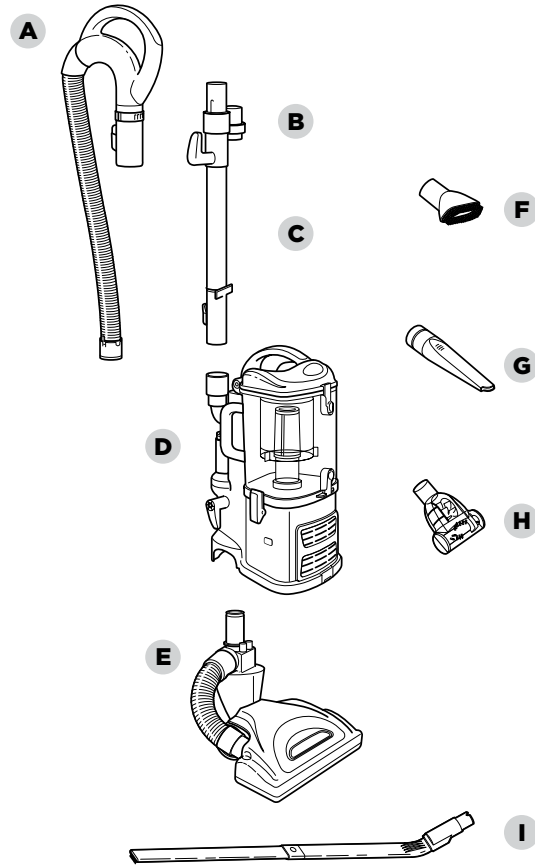
## WELCOME!

Congratulations on your purchase. Use this instruction manual to learn about your new vacuum's great features. From assembly to use to maintenance, you will find it all in here.

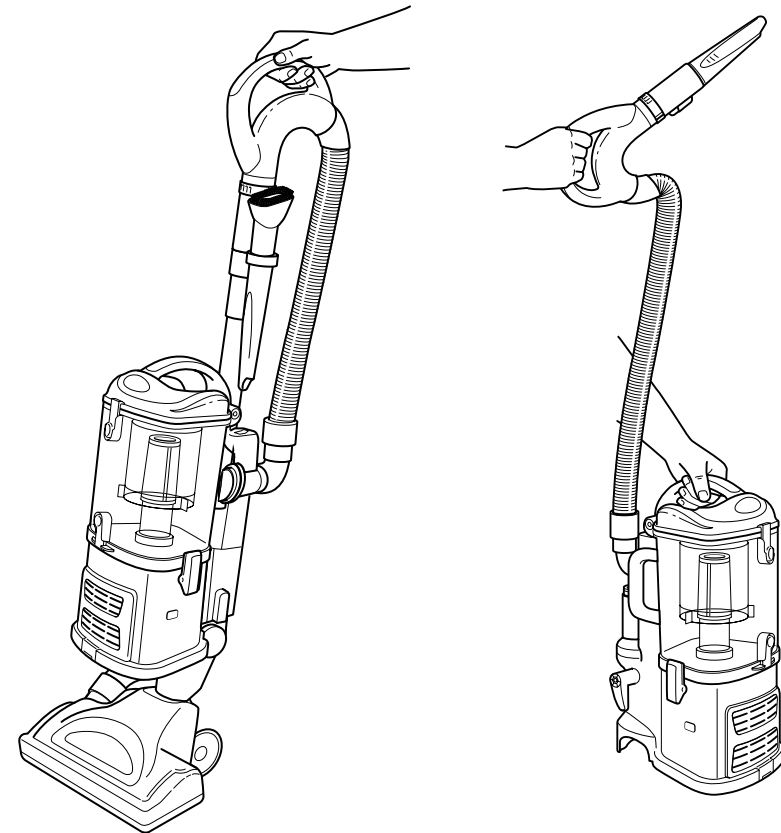
There are a variety of accessories that are compatible with this vacuum series.

The top flap of your box shows the select accessories that are included with your model.

To purchase additional accessories, visit [sharkaccessories.com](http://sharkaccessories.com)



- A** Handle with Stretch Hose
- B** Accessory Holder
- C** Extension Wand
- D** Portable Lift-Away® Pod
- E** Motorized Floor Nozzle
- F** Dusting Brush
- G** Crevice Tool
- H** Air-Driven Pet Brush
- I** Appliance Wand



Your new Shark Navigator® Lift-Away® Deluxe vacuum cleaner can easily be configured into different cleaning modes to meet all your needs: upright vacuum and portable Lift-Away® Pod, both with powerful suction.

### 1 UPRIGHT MODE

Upright vacuuming - floors and carpets.

### 2 LIFT-AWAY® MODE

Take the Lift-Away® Pod with you around the house to clean hard-to-reach places.

# USING YOUR VACUUM IN UPRIGHT MODE

## WHAT DOES THE BRUSHROLL INDICATOR LIGHT MEAN?

### Solid Green

The brushroll is on and working as it should.

### Solid Red

There is a jam in the brushroll area. Turn your vacuum off and remove the blockage.

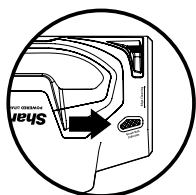
### Flashing Red\*

The motorized floor nozzle is overheating. Turn your vacuum off and wait for it to cool down, then rotate the suction release collar counterclockwise to reduce suction.

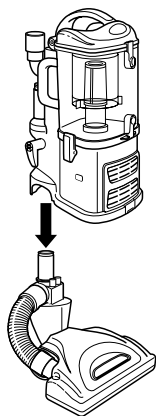
### No Light

The brushroll is off.

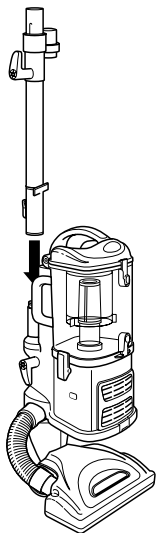
\*See Troubleshooting section for further instructions.



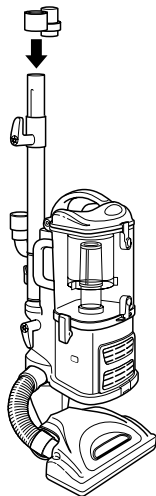
STEP 1



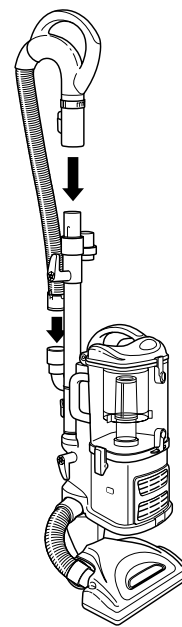
STEP 2



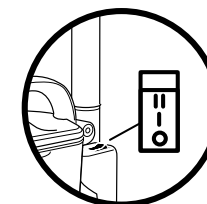
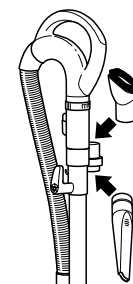
STEP 3



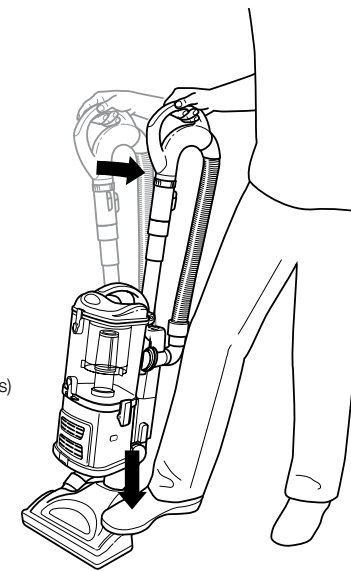
STEP 4



STEP 5



- II Brushroll ON (Carpets & Area Rugs)
- I Suction Only (Bare Floors)
- O OFF



## ASSEMBLY

- 1 Place the floor nozzle on a level surface. Align the opening on the Lift-Away® pod with the tube on the floor nozzle, then lower pod until it clicks into place.  
When attaching the motorized floor nozzle, ensure that the latching mechanism is fully locked in place to ensure electrical connection has been made.
- 2 Attach the end of the extension wand to the tube on the back of the Lift-Away pod until it clicks into place.
- 3 Slide the accessory holder (positioned opposite the upper cord wrap) over the extension wand. Align the tab with the groove and push down.

## USAGE

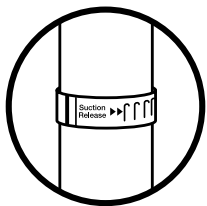
- 4 Insert the handle into the top of the extension wand until it clicks into place.
- 5 Store the dusting brush and the crevice tool on the mounts on the accessory holder.
- 1 Quickly release the power cord by rotating the upper cord hook located on the back of the wand.
- 2 Press the ON/OFF switch to the Suction Only (I) position to vacuum bare floors or to the (II) position to engage the motorized brushroll for vacuuming carpets and rugs.
- 3 Gently press the floor nozzle down with your foot while you grasp the handle and tilt it back towards you.  
**NOTE:** The brushroll will not spin unless the nozzle is flat against the floor and the handle is tilted back.
- 4 When you are finished vacuuming, turn the vacuum off.

## USING YOUR VACUUM IN LIFT-AWAY® MODE

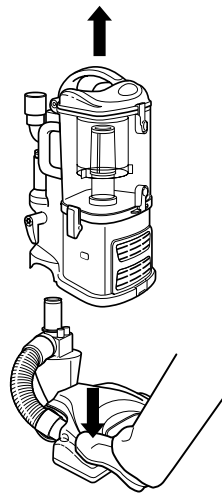
**NOTE:** You can carry your vacuum cleaner in both modes by the carry handle located on top of the dust cup.

### SUCTION RELEASE COLLAR

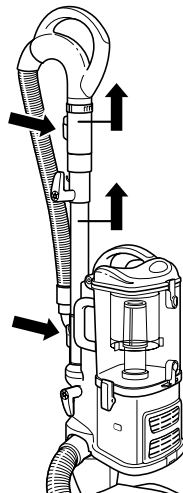
Due to the huge suction power of this vacuum, it may become necessary at times to adjust the suction release collar on the handle. If the vacuum seems difficult to push or pull, if it is lifting up area rugs, or if you are cleaning delicate above-floor surfaces such as drapes, reduce the suction by rotating the collar counterclockwise to open the valve. Rotate the collar clockwise to close the valve when you need high suction for vacuuming floors and when using the Air-Driven Pet Brush.



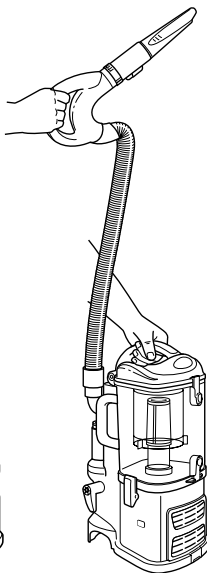
STEP 1



STEP 2

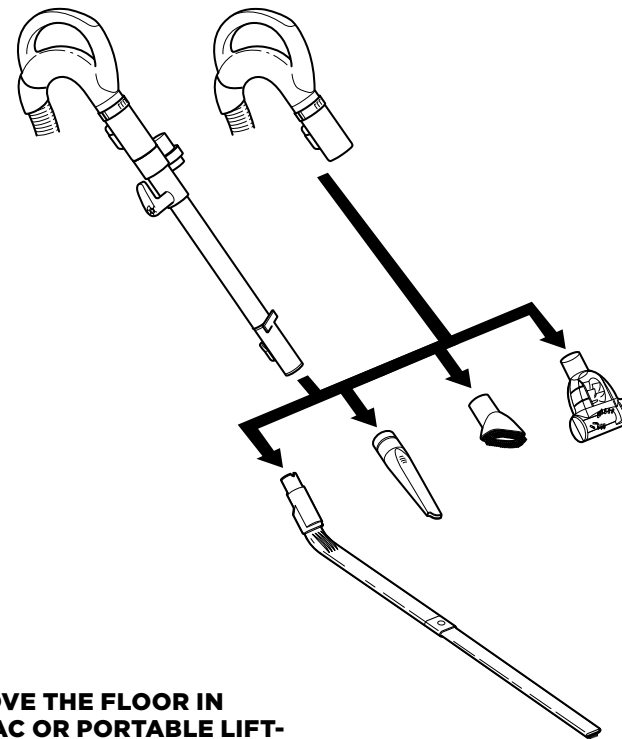


STEPS 3 + 4



- 1 Separate the portable Lift-Away pod from the floor nozzle by pressing the red release button on the side of the pod. Gently hold the nozzle to the floor with your foot and pull the pod up.
- 2 Press the handle release button and pull the handle up, or press the extension wand release button and pull the extension wand up.
- 3 Attach desired accessory onto the end of either the extension wand or the handle.
- 4 Press the On/Off switch to the "I" position for above-floor cleaning. Hold the handle in one hand while you carry the portable Lift-Away pod around the house with the other hand.

## ABOVE-FLOOR CLEANING



### CLEAN ABOVE THE FLOOR IN UPRIGHT VAC OR PORTABLE LIFT-AWAY® MODE

- 1 Press the handle release button and pull the handle up, or press the extension wand release button and pull the extension wand up.
- 2 Attach desired accessory onto the end of either the extension wand or the handle.
- 3 Press the On/Off switch to the "I" position for above-floor cleaning.

**NOTE:** Ensure vacuum is in upright position. **DO NOT** use position "II" when cleaning above the floor in the upright vac mode as this will engage the brushroll. The brushroll may damage your floor if run for a prolonged period of time in one area.

## STORAGE AND MAINTENANCE

**NOTE: DO NOT** use soap when cleaning the filters. Hand wash filters only with water to prevent damage from cleaning chemicals. Allow ALL filters to air-dry completely before replacing them in the vacuum to prevent liquid from being drawn into electric parts. **DO NOT** use a hair dryer or other heating methods to dry.

### RECOMMENDED CLEANING SCHEDULE:

#### Dust Cup

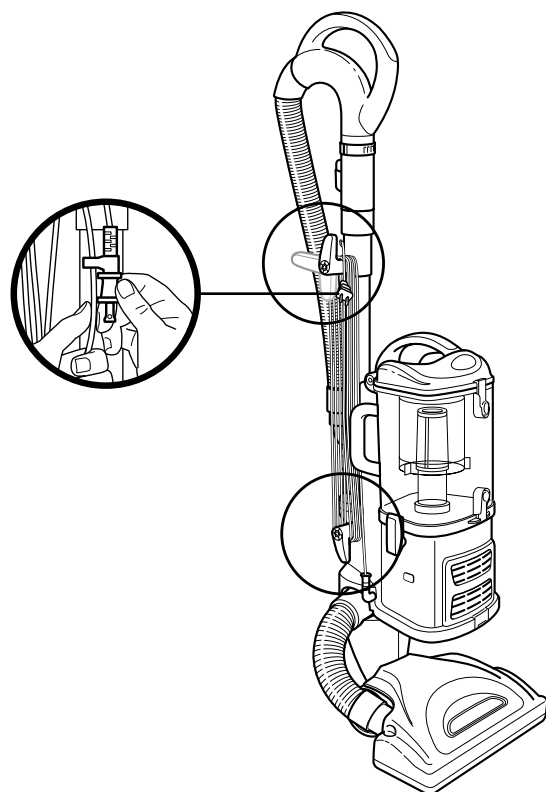
Empty after each time you vacuum.

#### Pre-Motor Filter Kit

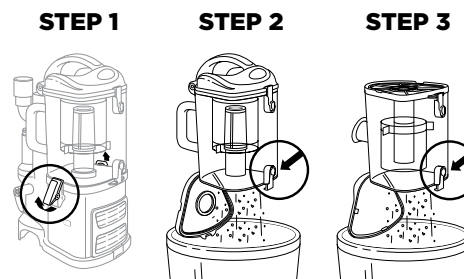
**XFF350** (Foam & Felt)  
Clean every 3 months.

#### Post-Motor Filter

**XHF350** (HEPA)  
Clean every 2 years.



- 1 Convert your vacuum back to upright vac mode.
- 2 Rotate the upper cord hook to its upright position and coil the power cord loosely around the upper and lower cord hooks. Clip the plug onto the cord to secure.
- 3 Store the dusting brush and the crevice tool on the mounts on the accessory holder.
- 4 Store your vacuum cleaner safely in a cool, dry area where it will not be a hazard, will not get damaged, and will not cause damage to anyone or anything.



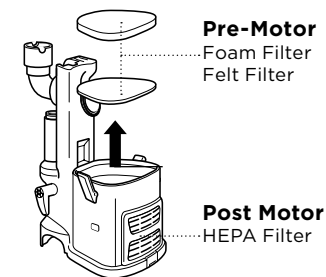
### EMPTYING THE DUST CUP

The dust cup needs to be emptied each time you vacuum and periodically during cleaning, when the dust cup appears full.

- 1 Undo the latches on the sides of the dust cup by lifting them up and outwards to remove the dust cup from the motor base.
- 2 Hold the dust cup over a trash receptacle and press the bottom-door release button. Tap gently to empty contents. Press the door shut again until it clicks.
- 3 If needed, turn the dust cup upside down over the trash receptacle and press the top-door release button. Tap gently to remove contents.

Use a dry cloth or paper towel to remove debris stuck to the screen filter inside the dust cup. Press the door shut again until it clicks.

- 4 Replace the dust cup on top of the motor base. Hook the two latches onto the tabs on the sides of the dust cup and push down to lock.



### CLEANING THE PRE-MOTOR FILTERS

- 1 Remove the dust cup.
- 2 Pull the 2 filters out from the top of the motor base.
- 3 Rinse the filters thoroughly in lukewarm water until the water runs clear.
- 4 Squeeze out excess water and let air-dry for at least 24 hours before replacing.
- 5 Place the felt filter in first, then the foam filter.
- 6 Replace the dust cup.

**NOTE: DO NOT** put the filter in the washing machine or dishwasher.

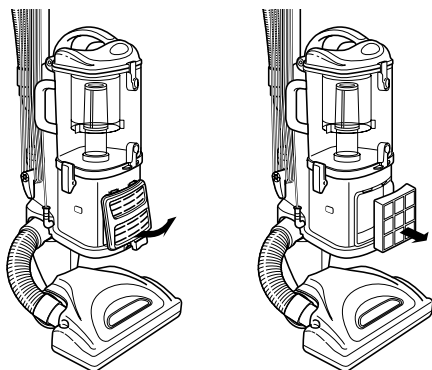
**NOTE:** The material in the filter will discolor over time. This is normal, and will not affect the performance of the filter.



**⚠ WARNING:** To reduce the risk of shock and unintended operation, turn off power and unplug unit before servicing.

**NOTE: DO NOT** use soap when cleaning the filters. Hand wash filters only with water to prevent damage from cleaning chemicals. Allow ALL filters to air-dry completely before replacing them in the vacuum to prevent liquid from being drawn into electric parts. **DO NOT** use a hair dryer or other heating methods to dry.

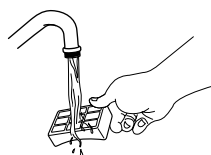
## STEP 1



## STEP 2

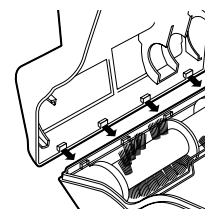
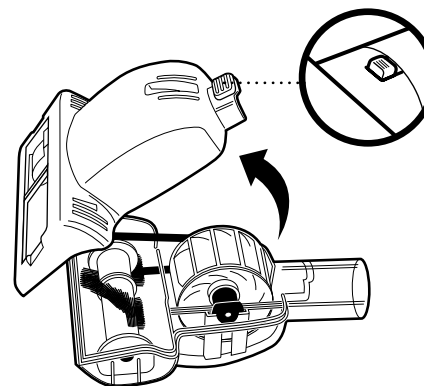


## STEP 3



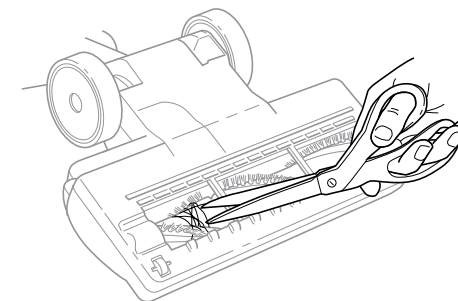
### CLEANING THE POST-MOTOR HEPA FILTER

- 1** Remove the filter cover from the front of the vacuum by pulling up on the tab and pulling the cover away from the vacuum. Take out the HEPA filter by pulling it straight out.
- 2** Turn the filter over so that the dirty side is on the bottom and vigorously tap it clean against a garbage can to remove any dust.
- 3** Hold the filter under the tap with the dirty side facing down. Rinse with lukewarm water until the water runs clear. Allow filter to air-dry for 24 hours.
- 4** Once the HEPA filter is dry, replace it back into the vacuum.
- 5** Replace the cover by inserting the two tabs into the holes at the top and then swinging the cover down until it clicks into place.



### CLEANING THE AIR-DRIVEN PET BRUSH

- 1** Slide the locking latch forward and gently tilt brush housing upward to remove.
- 2** Carefully remove any blockage or debris and use scissors to cut away any buildup of hair or string around the rotating bristle brush.
- 3** To reassemble, insert the tabs on the front edge of the bottom cover into the matching holes in the top half and tilt it back down until it clicks into place.




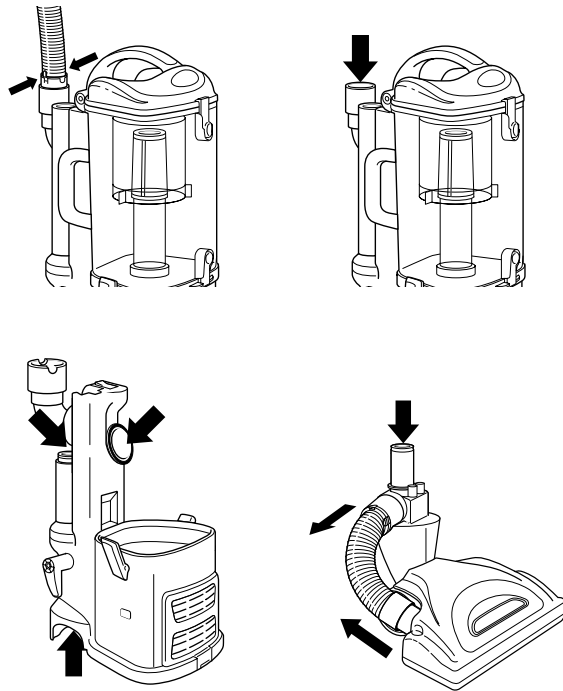
### CLEANING THE MOTORIZED FLOOR NOZZLE

When your motorized floor nozzle needs cleaning or locks onto an object, it automatically shuts down to prevent damage to your lifetime belt. The indicator light will illuminate red, warning you to turn off the vacuum and clear blockage immediately. The light will reset itself once blockage has been cleared and power has been cycled on/off, or vacuum has been locked in the upright position.

- 1** Detach the motorized floor nozzle from the portable Lift-Away® pod.
- 2** Inspect the opening underneath and the brushroll. If a buildup of debris is present, remove it. Use scissors to carefully cut away anything wound around the brushroll.



 **TIP:** Make sure you are working in a well-lit area and use a flashlight to help search for blockages.



### CHECKING FOR BLOCKAGES

Blockages may cause your vacuum to overheat and shut down. To prevent this from happening, check potential blockage areas after heavy use, or if you detect a loss of suction or poor cleaning performance.

- 1** Detach the stretch hose from the back of the portable Lift-Away® pod by squeezing the tabs together and pulling up. Check the hose and pod openings for blockages.
- 2** Remove the dust cup and extension wand and separate the portable Lift-Away pod from the motorized floor nozzle. Check all openings for any blockages.
- 3** Detach the hose on the motorized floor nozzle at the top by squeezing the tabs together and pulling out, and at the bottom by pulling out the connector. Check all openings for any blockages.

 **WARNING:** To reduce the risk of shock and unintended operation, turn off power and unplug unit before servicing.

**Vacuum is not picking up debris. No suction or light suction. (Refer to Maintenance section for more information.)**

- Check filters to see if they need cleaning. Follow instructions for rinsing and drying the filters before reinserting in the vacuum.
- Dust cup may be full; empty dust cup.
- Check hose, hose connections, wand, nozzles, and accessories for blockages; clear blockages if required.
- Remove any string, carpet fibers, or hair that may be wrapped around the brushroll.
- Rotate the suction release collar on the handle clockwise to increase suction power.

**Vacuum lifts area rugs.**

- Turn off unit to disengage the brushroll. Move switch to position "I" (bare floors) for suction-only cleaning, and turn unit back on.
- Suction is powerful. Take care when vacuuming area rugs or rugs with delicately sewn edges.
- Rotate the suction release collar on the handle counterclockwise to decrease suction power.

**Brushroll does not spin.**

- If Brushroll Indicator Light on the motorized floor nozzle turns red, the brushroll has stopped spinning. Immediately turn off and unplug vacuum, disconnect the nozzle, and remove blockage before reconnecting and turning vacuum back on.
- With the power on, recline the handle, which will automatically turn on the brushroll.
- Make sure the On/Off switch is set to position "II", Brushroll ON.

**Vacuum turns off on its own or indicator light flashes red.**

- This vacuum is equipped with a motor-protective thermostat. If your vacuum overheats, the thermostat will automatically turn the suction motor off. Perform the following steps to restart the thermostat:
  1. Turn vacuum off and unplug it.
  2. Empty dust cup and clean filters (see Maintenance section).
  3. Check for blockages in hose, accessories, and inlet openings.
  4. Allow unit to cool for a minimum of 45 minutes.
  5. Plug in vacuum and turn it on.
- If hose is not fully connected to the pod, it can cause a poor electrical connection and the hose can come loose, turning the vacuum off.
  1. Turn vacuum off and unplug it.
  2. Empty dust cup and clean filters.
  3. Check for blockages in hose, accessories, and inlet openings.
  4. Remove cord from cord hook so hose latch can be seen and engaged.
  5. Ensure that hose, wand, and handle are all clicked securely into place at all connection points:
    - a. Where hose meets back of pod (may require additional force; pull on hose to ensure latch is fully engaged)
    - b. Where wand plugs into floor nozzle
    - c. Where handle plugs into wand
  6. Plug in vacuum and turn it on.

Note: If vacuum still does not start, contact Customer Service at 1-800-798-7398.





**SharkNinja Operating LLC**  
**US: Needham, MA 02494**  
**CAN: Ville St-Laurent, QC H4S 1A7**  
**1-800-798-7398**  
**sharkclean.com**

Illustrations may differ from actual product. We are constantly striving to improve our products; therefore the specifications contained herein are subject to change without notice.

LIFT-AWAY, SHARK, and SHARK NAVIGATOR are registered trademarks of SharkNinja Operating LLC.

NAVIGATOR is a trademark of SharkNinja Operating LLC.

For SharkNinja U.S. Patent information visit [sharkninja.com/USPatents](http://sharkninja.com/USPatents)

