

Please be sure to read the enclosed Shark® Owner's Guide prior to using your unit.

# Shark®

# Rocket™

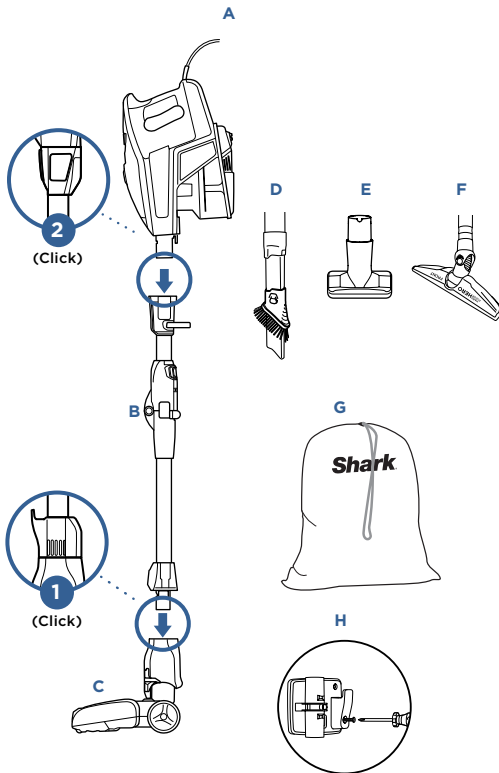
## DELUXE PRO Corded Ultra Light

## QUICK START GUIDE

### WHAT'S INSIDE

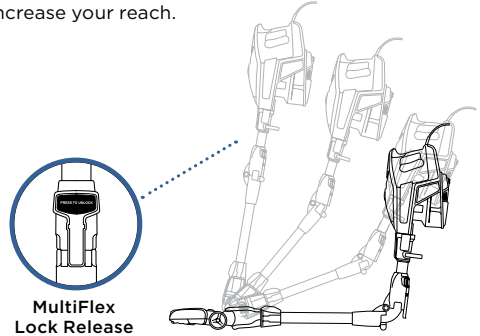
- A** Handheld Vacuum
- B** MultiFlex™ Wand
- C** Motorized Floor Nozzle
- D** Duster Crevice Tool
- E** Upholstery Tool
- F** Hard Floor Hero™
- G** Accessory Bag
- H** Wall Mount with Tool Storage

### ASSEMBLY

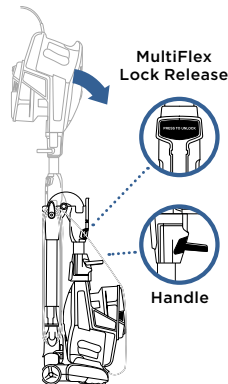


### MULTIFLEX™ REACH

Easily access hard-to-reach areas under furniture. Press the MultiFLEX Lock Release button to lower the angle of the wand to increase your reach.



### MULTIFLEX STORAGE



To store, press the Lock Release button and hold it down while folding the handheld vacuum forward, until the unit locks in storage mode. Wrap the power cord around the cord hooks, and use the handle to carry the vacuum to its storage location.

To take the vacuum out of storage mode, unwind the cord, then press the MultiFLEX Lock Release button while lifting up the handheld vacuum. The wand will lock in place.

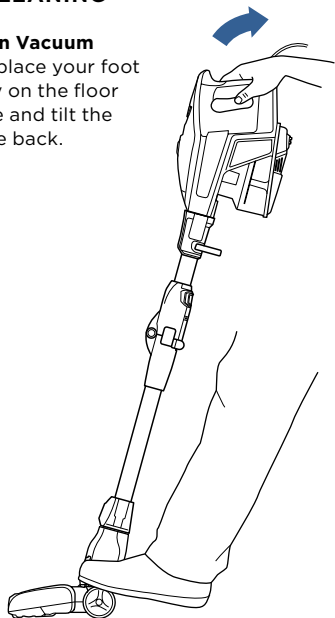
### Wall Mount

Please see included instruction sheet for wall mount installation information.

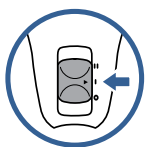
## VERSATILE FLOOR-TO-CEILING CLEANING

### FLOOR CLEANING

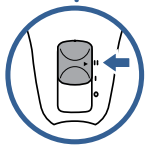
- 1 Plug In Vacuum**  
Then place your foot gently on the floor nozzle and tilt the handle back.



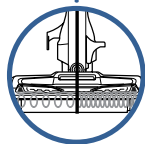
- 2 Choose Setting**  
The Rocket® Deluxe Pro has a 2-speed power slider switch on the handle. Slide the power switch to the appropriate floor setting and start cleaning.



**Setting I**  
**Gentle on bare floors and delicate area rugs.**  
The brushroll spins slowly to clean bare floors and delicate area rugs.



**Setting II**  
**Deep cleans carpets by removing embedded dirt.**  
The brushroll spins faster to pick up debris below the surface of your carpets.



**NOTE:** For deep carpet cleaning per ASTM F608 (embedded dirt in carpets) please set to High Pile Carpets (II).

### ABOVE-FLOOR CLEANING

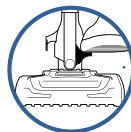
- 1** Stand the vacuum upright. Step on the foot pedal and pull the wand up to disconnect the motorized floor nozzle.

OR

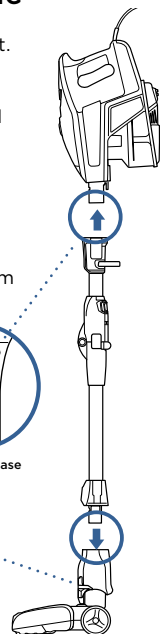
Press the Wand Release button on the top of the wand to disconnect it from the handheld vacuum.



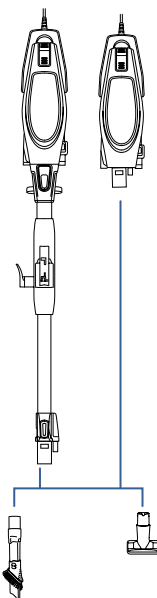
Wand Release



Floor Nozzle Release



- 2** Attach desired cleaning accessory.



**NOTE:** Use Setting I for all above-floor accessories.