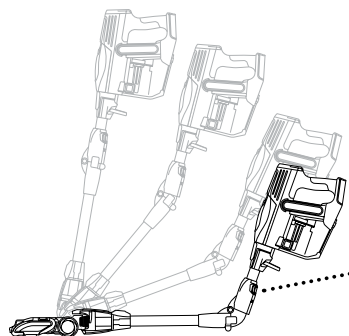


## MULTIFLEX™ REACH

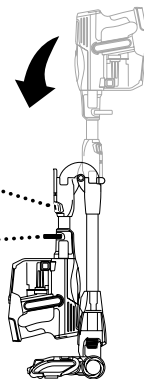
Press the MultiFLEX Lock Release button to lower the angle of the wand to increase your reach.



MultiFLEX Lock Release



Carry Handle



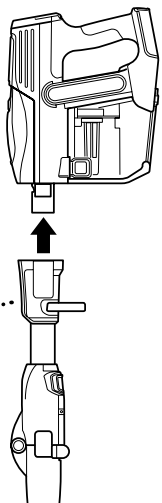
## MULTIFLEX STORAGE

Press the MultiFLEX Lock Release button and hold it down while folding the handvac forward, until the unit locks in storage mode.

To vacuum, press the MultiFLEX Lock Release button while lifting up the handvac, until the wand locks in place.

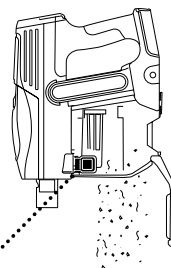
## EMPTYING THE DUST CUP

1. To empty dust cup, first remove the handvac from the wand by pressing the Wand Release button and pulling up on the handvac.



Wand Release Button

2. Position dust cup over a trash bin, then open the bottom of the dust cup by pressing the Dust Cup Release button on the side.



Dust Cup Release Button

Please make sure to read the enclosed Shark® Owner's Guide prior to using your vacuum.

duo clean™

# Shark IONFLEX™

CORD-FREE ULTRA-LIGHT

## QUICK START GUIDE

Use this Quick Start Guide to start using your new vacuum's great features.

For questions, contact us at 800-798-7398 or visit us online at [sharkclean.com](http://sharkclean.com)

Register your vacuum at [registeryourshark.com](http://registeryourshark.com)



Shark



@sharkcleaning

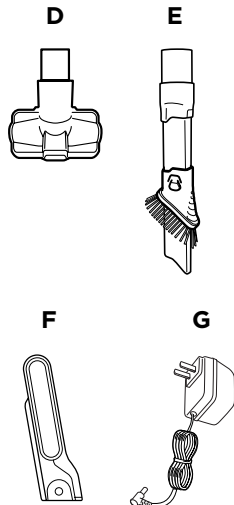
## WHAT'S INSIDE:

- A** Handheld Vacuum
- B** Motorized Floor Nozzle
- C** MultiFLEX™ Wand
- D** Pet Multi-Tool
- E** Anti-Allergen Duster Crevice Tool
- F** ION Power Pack
- G** ION Power Pack Charger

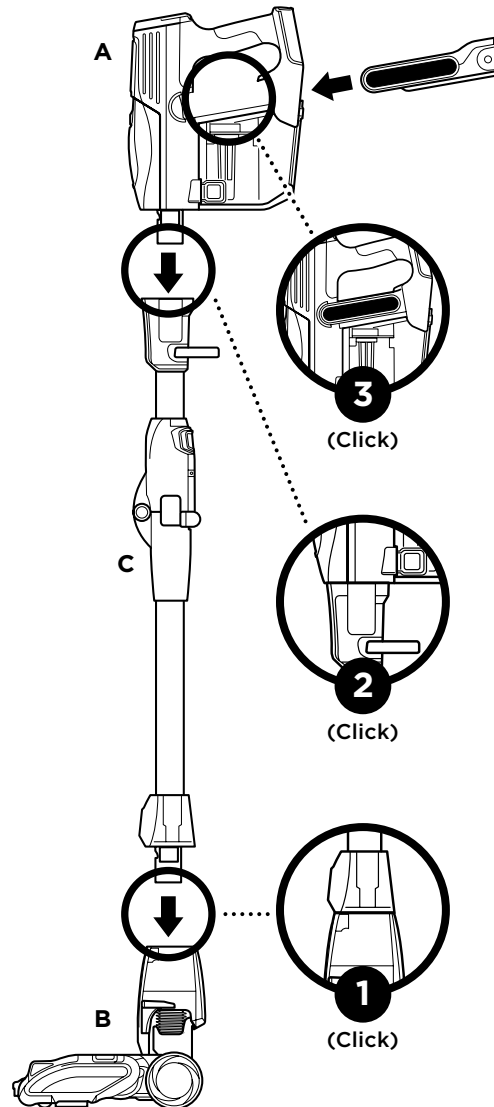
### TAKE CHARGE OF YOUR RUNTIME.™

Upgrade to our **2X Ion Power Pack System**:  
second battery + charging dock.

Available at [sharkclean.com/batteries](http://sharkclean.com/batteries).



## ASSEMBLY



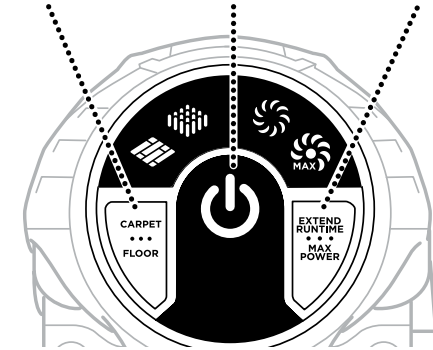
## SMART RESPONSE™ TECHNOLOGY

Press the Surface Settings button to switch floor types. Press the Suction Settings button to intelligently switch between EXTEND RUNTIME and MAX POWER.

### Surface Settings

- CARPET**  
For high pile carpets.
- FLOOR**  
For bare floors and area rugs.

### Power Button



### Suction Settings

- EXTEND RUNTIME**  
For everyday cleaning.
- MAX POWER**  
Maximum power for heavy-duty cleaning.

*NOTE: For deep cleaning per ASTM F 608 (embedded dirt in carpets) please select CARPET and MAX POWER settings.*

## ION POWER PACK

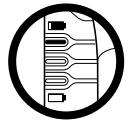
### In Use



### Charging



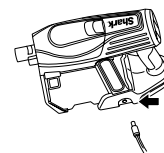
**NOTE:** Full charge takes approximately 3.5 hours.



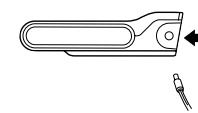
### Battery Indicator Lights

**NOTE:** ION Power Pack comes with a partial charge. Fully charge prior to first use and then completely discharge to condition the pack.

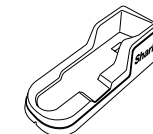
## VERSATILE CHARGING



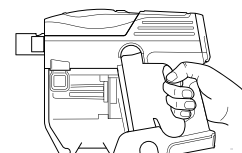
IN THE VACUUM



OUT OF THE VACUUM



IN AVAILABLE CHARGING DOCK



### Easily Insert or Remove the ION Power Pack

To insert, slide the ION Power Pack into the slot in the back of the hand vac.

To remove, pinch the release tab then slide out the ION Power Pack.

For complete maintenance instructions, see the enclosed Owner's Guide.

For additional parts and accessories, visit [sharkaccessories.com](http://sharkaccessories.com).

For additional batteries and charging accessories, visit [sharkclean.com/batteries](http://sharkclean.com/batteries).