

# ***Shark* HYDROVAC**

**Cordless 3-in-1 Cleaner**

WD200UK Series

**INSTRUCTION BOOKLET**

---



# IMPORTANT SAFETY INSTRUCTIONS

FOR HOUSEHOLD USE ONLY READ ALL INSTRUCTIONS BEFORE USING THIS 3-IN-1 CLEANER

## **⚠ WARNING**

To reduce the risk of fire, electric shock, injury, or property damage:

1. If the charging cord plug does not fit fully into the outlet, contact the place of purchase. **DO NOT** force into outlet or try to modify to fit.
2. To reduce the risk of shock and unintended operation, turn off power before servicing.
3. This 3-in-1 Cleaner consists of a motorised nozzle, main body, pole, and handle. These components contain electrical connections, electrical wiring, and moving parts that potentially present risk to the user.
4. Before each use, carefully inspect all parts for any damage. If a part is damaged, discontinue use.
5. Use only identical replacement parts.
6. Use only as described in this manual. **DO NOT** use the 3-in-1 Cleaner for any purpose other than those described in this manual.
7. **DO NOT** immerse or spray water on the body of the 3-in-1 Cleaner. To clean the surface, wipe with a dry cloth.
8. Keep the 3-in-1 Cleaner and dock's cord out of reach of children. Do not allow the appliance to be used by children. Do not allow to be used as a toy. Close supervision is necessary when used near children.
9. This appliance can be used by persons with reduced physical, sensory, or mental capabilities or lack of experience or knowledge if they have been given supervision or instruction concerning use of the appliance in a safe way and understand the hazards involved. Cleaning and user maintenance should not be done by children.
10. Always turn off the 3-in-1 Cleaner before connecting or disconnecting any motorised nozzles, chargers, batteries, or other electrical or mechanical parts.
11. **DO NOT** handle plug or 3-in-1 Cleaner with wet hands.
12. **DO NOT** use without the dirty water tank, Clean Solution Tank, filter, brushroll, and brushroll cover in place.
13. Use only the charger that came with your unit. Use of an incorrect charger may result in no charging, and/or unsafe condition.
14. Only use Shark® branded filters and accessories.
15. **DO NOT** put any objects into nozzle or accessory openings. **DO NOT** use with any opening blocked; keep free of dust, lint, hair, and anything that may reduce airflow.
16. **DO NOT** use if nozzle or accessory airflow is restricted. If the air paths or the motorised floor nozzle become blocked, turn the 3-in-1 Cleaner off. Remove all obstructions before you turn on the unit again.
17. Keep nozzle and all 3-in-1 Cleaner openings away from hair, face, fingers, uncovered feet, or loose clothing.
18. **DO NOT** use if 3-in-1 Cleaner is not working as it should, or has been dropped, damaged, left outdoors, or dropped into water.
19. Use extra care when cleaning on stairs.
20. **DO NOT** leave the 3-in-1 Cleaner unattended while powered on.
21. When powered on, always keep the 3-in-1 Cleaner moving over the carpet surface to avoid damaging the carpet fibres.
22. **DO NOT** place 3-in-1 Cleaner on unstable surfaces such as chairs or tables.

### 23. **DO NOT** use to pick up:

- a) Large objects
- b) Hard or sharp objects (nails, screws, or coins)
- c) Large quantities of dust (including drywall, fireplace ash, or embers).
- d) Smoking or burning objects (hot coals, cigarette butts, or matches)
- e) Flammable or combustible materials (lighter fluid, petrol, or kerosene)
- f) Toxic materials (chlorine bleach, ammonia, or drain cleaner)

### 24. **DO NOT** use in the following areas:

- a) Poorly lit areas
- b) Outdoor areas
- c) Spaces that are enclosed and may contain explosive or toxic fumes or vapours (lighter fluid, petrol, kerosene, paint, paint thinners, mothproofing substances, or flammable dust)

### 25. Turn off the 3-in-1 Cleaner before adjustment, cleaning, maintenance or troubleshooting

### 26. During cleaning or routine maintenance, **DO NOT** cut anything other than hair, fibres, or string wrapped around the brushroll

### 27. Allow all filters to air dry completely before replacing in the 3-in-1 Cleaner to prevent liquid from being drawn into electric parts.

### 28. **DO NOT** modify or attempt to repair the 3-in-1 Cleaner or the battery yourself, except as indicated in this manual. **DO NOT** use the battery or 3-in-1 Cleaner if it has been modified or damaged. Damaged or modified batteries may exhibit unpredictable behaviour resulting in fire, explosion, or risk of injury.

### 29. Use only Shark brand cleaning fluids intended for use with this appliance to prevent internal component damage.

### BATTERY PACK

### 30. The battery is the power source for the 3-in-1 Cleaner. Carefully read and follow all charging instructions.

### 31. To prevent unintentional starting, ensure the 3-in-1 Cleaner is powered off before picking up or carrying the 3-in-1 Cleaner. **DO NOT** carry the appliance with your finger on the power switch.

### 32. The battery pack is non-serviceable. Call our customer services helpline with any questions and concerns.

### 33. Under abusive conditions, liquid may be ejected from the battery. Avoid contact with this liquid, as it may cause irritation or burns. If contact occurs, flush with water. If liquid contacts eyes, seek medical help.

### 34. **DO NOT** charge battery at temperatures below 5° C (40° F) or above 40° C (104° F).

### 35. Store the unit indoors. **DO NOT** use or store it below 3° C (37.4° F). Ensure the appliance is at room temperature before operating.

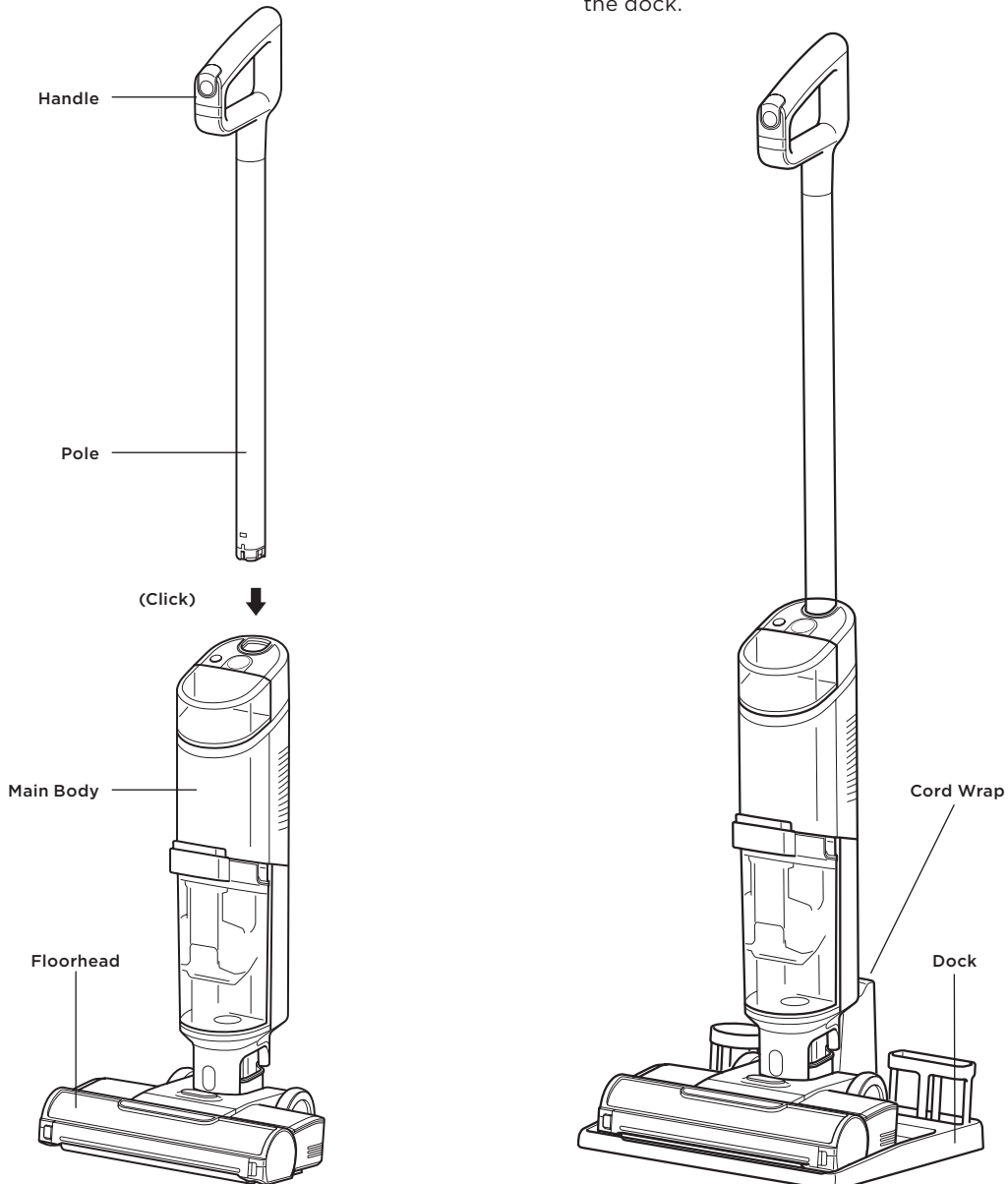
### 36. **DO NOT** expose the battery to fire or temperatures above 130° C (265° F) as it may explode.

### 37. Battery should not be stored at temperatures below 3° C (37.4° F) or above 40° C (104° F) to maintain long term battery life.

## SAVE THESE INSTRUCTIONS

## ASSEMBLY

1. Align the **Pole** with the opening in the **Main Body** and insert it until it clicks into place.
2. Place the **Storage and Charging Dock** on the floor near a wall outlet and plug in the cord. Wind the remaining cord around the **Cord Wrap** on the back of the dock.



**NOTE:** When assembling your HydroVac, there may be a little water in or around the water tanks. This is because we test all our HydroVacs before you buy them to ensure the highest quality.

**NOTE:** To remove the handle, press the release button located on the back of the unit with a thin tool while pulling up on the handle.

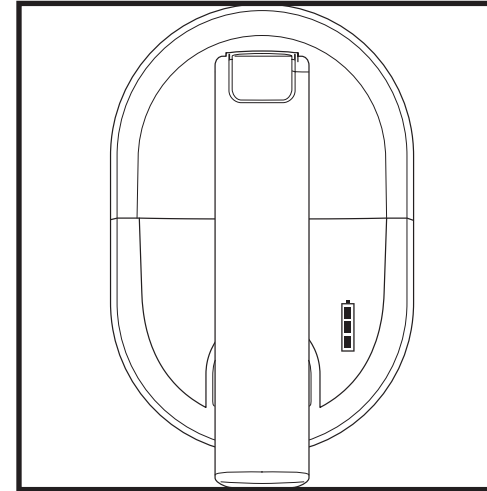
## LI-ION BATTERY

Prior to first use, charge the battery completely. A full charge takes approximately 4 hours.

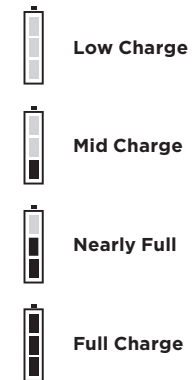
### RUNTIME FOR FULLY CHARGED BATTERY

Visit [sharkclean.com/support](http://sharkclean.com/support) online.

### LED BATTERY POWER AND CHARGING INDICATOR

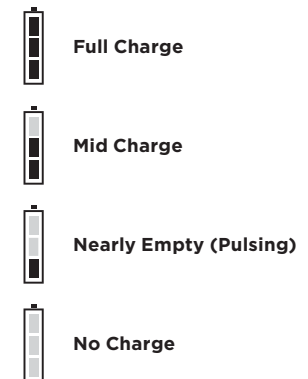


#### Charging



Note: Full Charge takes approximately 4 hours.

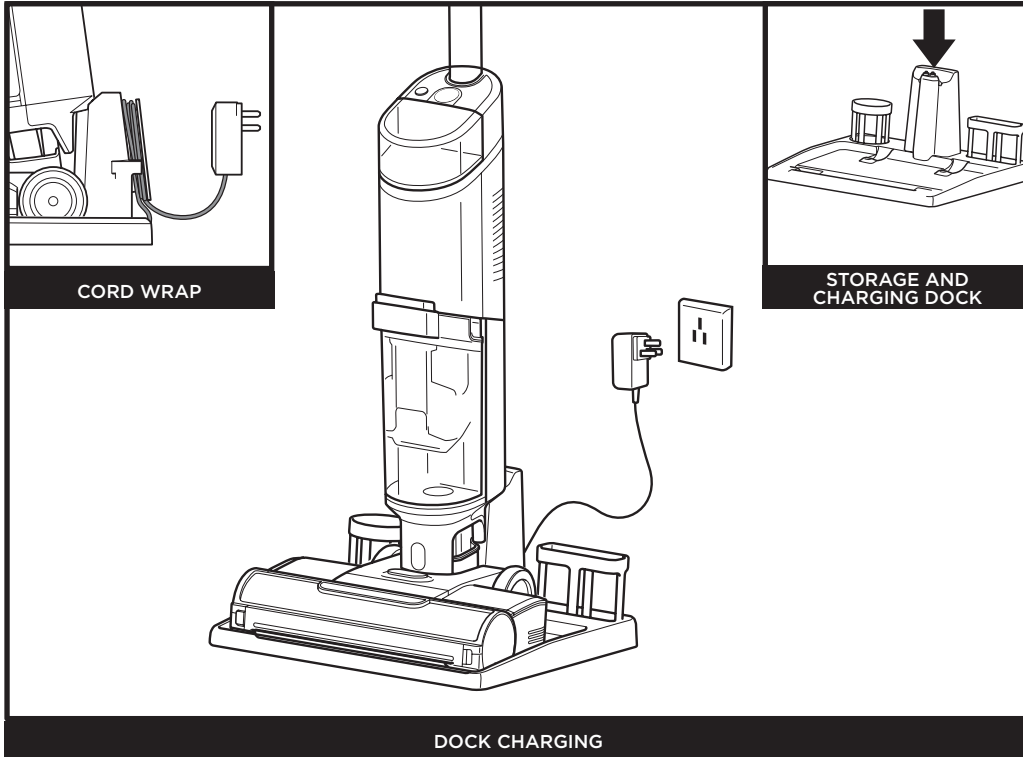
#### In Use



**NOTE:** The Shark® battery, like all lithium-ion batteries, will naturally decrease in capacity over time from the 100% capacity of a new battery.

## USING YOUR 3-IN-1 CLEANER

### CHARGING ON THE DOCK



Charge the unit by placing it on the Storage and Charging Dock. Make sure the contacts on the body are aligned with the contacts on the charging dock.

The **Battery Icon** on the main body will illuminate when charging begins.

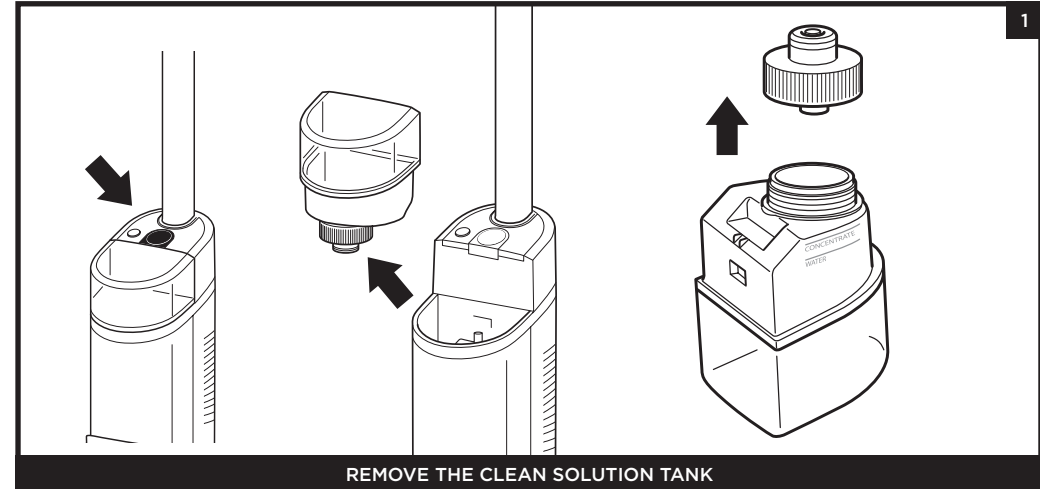
When charging is complete and you need to use the unit again, lift it off the dock.

**NOTE:** When docked properly, the charging lights on the Main Body will blink, indicating that charging has begun. When charging is complete, all three indicator lights will turn off.

**NOTE:** The main unit comes with a partial charge. For maximum runtime, charge fully before first use (approximately 4 hours). Leaving the unit plugged in will not damage battery life.

## USING YOUR 3-IN-1 CLEANER

### FILLING THE CLEAN SOLUTION TANK



Press the release button and lift off the **Clean Solution Tank**.



Unscrew the cap and add water to the tank, up to the **WATER** line. Next, add Shark HydroVac™ Multi-Surface Cleaning Solution, filling to the **SOLUTION** line. Replace the cap and reinsert the tank until it clicks into place. The top of the tank should be flush with the top of the body.

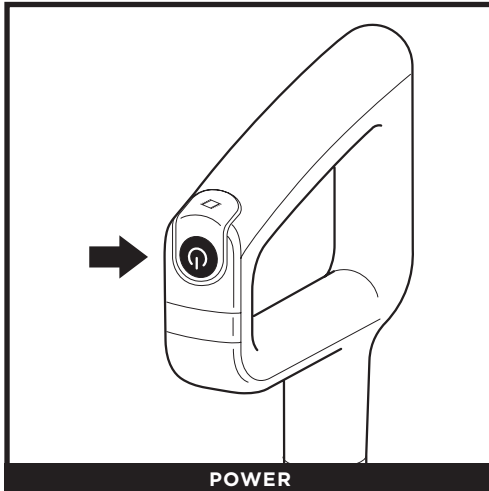
**NOTE:** Only use Shark HydroVac Multi-Surface Cleaning Solution and water with this product.

**NOTE:** Be sure to not overfill the Clean Solution Tank with more HydroVac Multi Surface Concentrate than instructed, as this may cause streaking

**NOTE:** Without sufficient water supply in the clean solution tank, HydroVac will not run.

## USING YOUR 3-IN-1 CLEANER

### CONTROLS

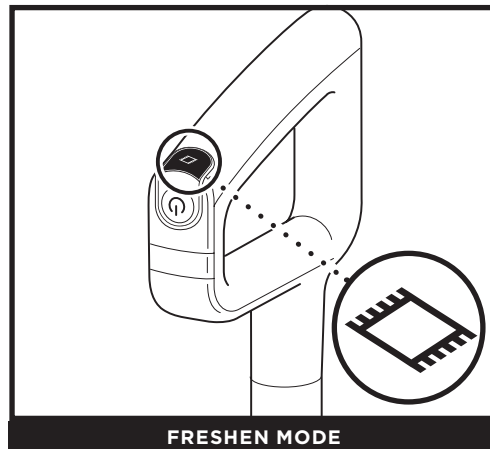


Press and release the **Power** button on the handle to turn on power. To turn off power, press the button again.

### CLEANING MODES



Use Hard Floor mode for powerful cleaning on bare floors. To activate Hard Floor mode, turn on the unit and tilt the handle back.



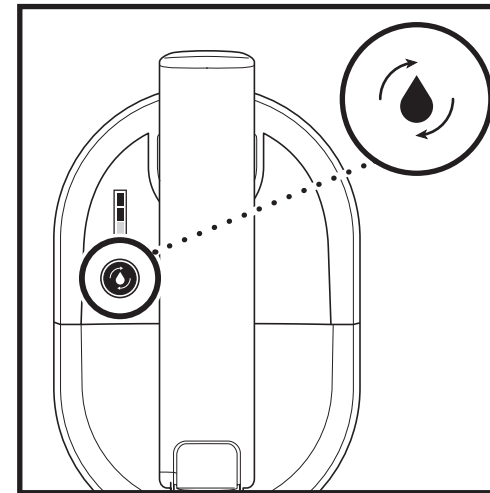
To clean area rugs, press the Freshen Mode icon on top of the handle. The Freshen Mode light on the main body will illuminate. To turn off Freshen Mode, press the button again.

**NOTE:** To prevent leakage, DO NOT place the main body on the floor. The nozzle should always be kept flat on the floor.  
**NOTE:** If you encounter a difficult stain, use Freshen Mode for improved stain cleaning.  
**NOTE:** If you encounter a stubborn odor on your floor or area rug, continue to clean in Freshen Mode until the odor is gone.  
**NOTE:** If your floors are cloudy, streaky, or spotty after cleaning, it may be due to accumulated soap or grease residue. The floor may require several cleanings with the Hydrovac.

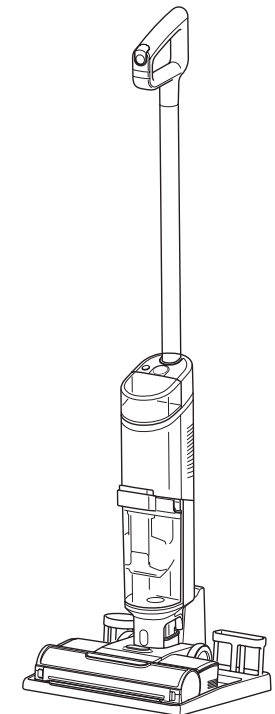
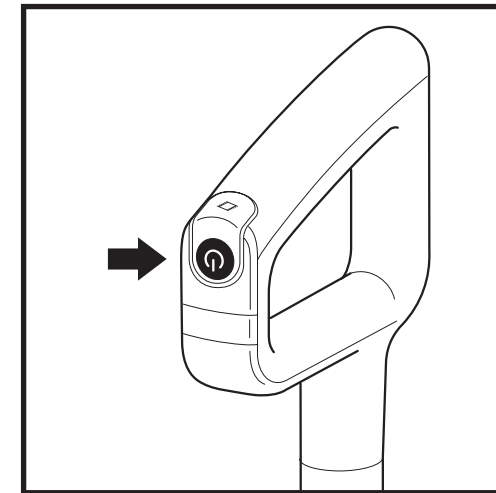
## MAINTAINING YOUR 3-IN-1 CLEANER

### SELF-CLEANING MODE

The self-clean cycle automatically cleans the system and the brush-roll.  
**Recommended after every use**



1. Place the unit on the Storage and Charging Dock. The Self-Clean mode icon located on the top of the main body will pulse.
2. Empty the **Dirty Water Tank** and make sure the clean solution tank is at least half full.
3. Press the **Power Button** to start the self-clean cycle. The icon will pulse for the full 2-minute duration of the cycle.
4. **DO NOT** remove the unit from the dock during the self-clean cycle. The icon will turn off when the cycle is complete.
5. Empty the dirty water tank.  
*See LED Glossary for more information on indicator lights during self-clean cycle.*

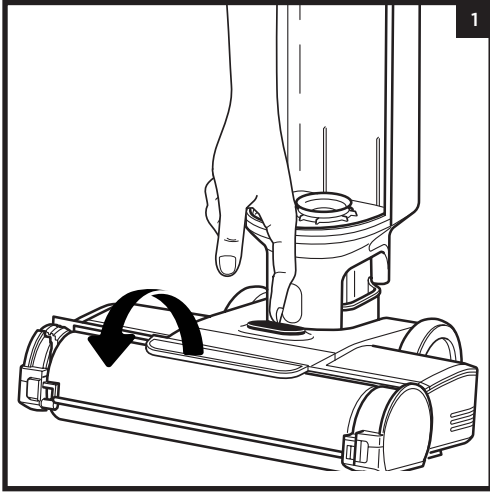


**NOTE:** Make sure the Clean Solution Tank is at least half full and that the dirty water tank is empty before running the self-cleaning cycle.

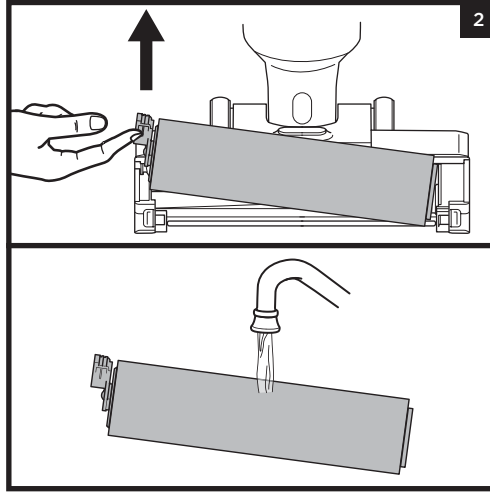
## MAINTAINING YOUR 3-IN-1 CLEANER

### MANUALLY CLEANING THE BRUSHROLL

You can clean the brushroll by hand as an alternative to the self-clean cycle, and to remove debris or hair wrapped around the brushroll.

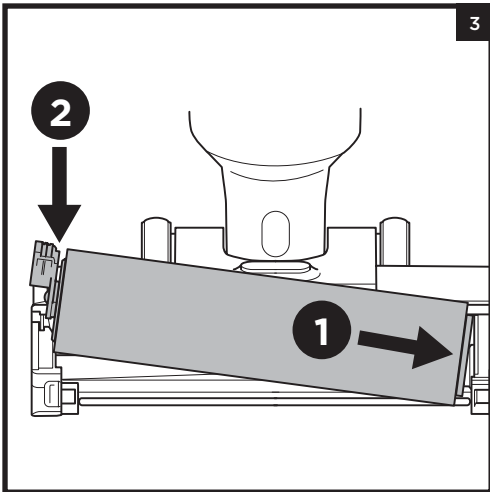


1. To access the brushroll, press the button on the top of the nozzle and lift off the brushroll cover.

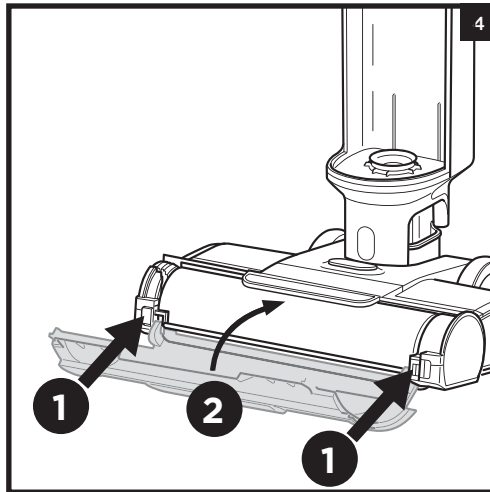


2. Remove the brushroll by pulling up on the pull tab on the left side of the nozzle.

Wash thoroughly with warm water. Allow the brushroll to air-dry completely in a well-ventilated area for at least 24 hours.



3. Reinsert the brushroll by lining up the grooves on the end of the brushroll with the helix on the inner right side of the nozzle, then press down on the left side of the brushroll. When properly installed, the brushroll tab will be flush with the left side of the nozzle.

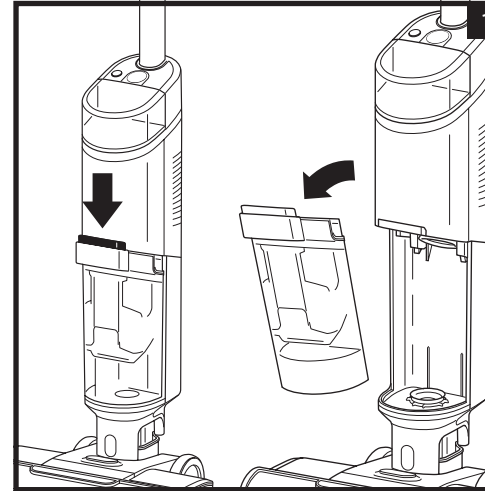


4. To reinstall the brushroll cover, insert the hooks on the bottom of the cover into the unit first. Press down on the cover until it clicks into place.

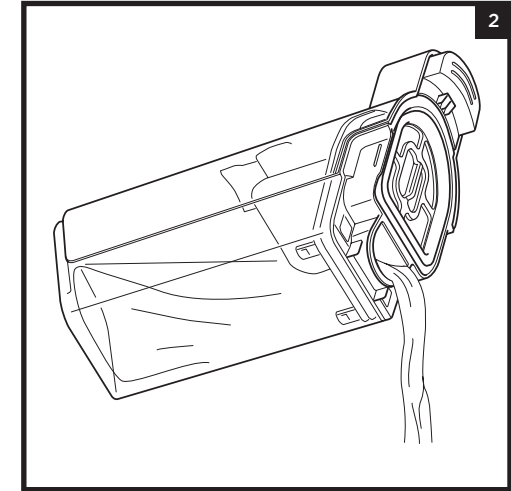
**NOTE:** Do not place brushroll in washing machine or dishwasher. Replace the brushroll after 6 months.

## MAINTAINING YOUR 3-IN-1 CLEANER

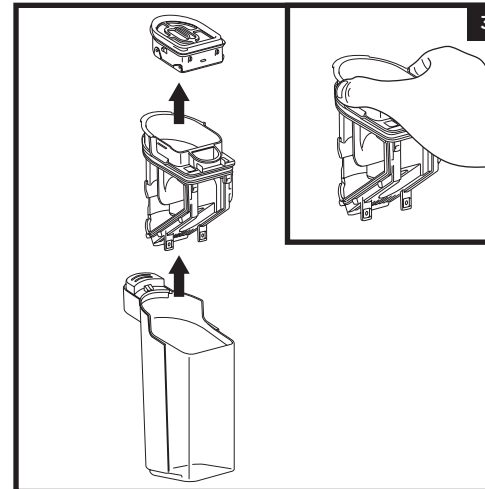
### CLEANING THE DIRTY WATER TANK



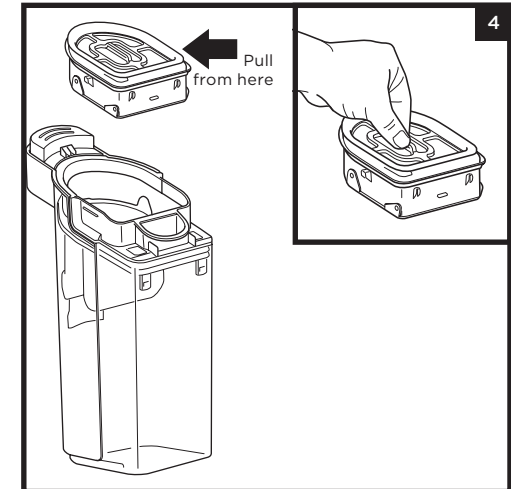
1. To remove the dirty water tank, press the release button and pull out the tank.



2. To dispose of liquid waste only, pour it out through the **Express Clean Spout** on the back of the dirty water tank.



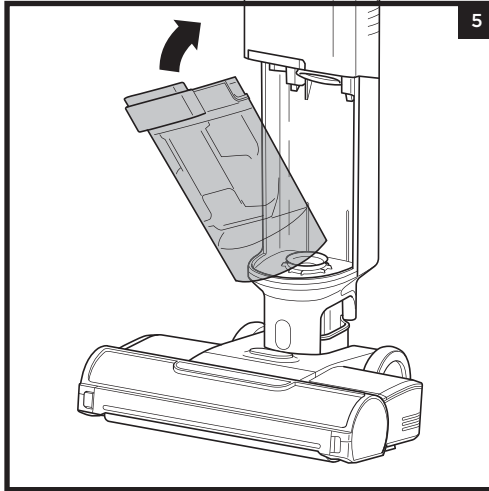
3. To dispose of solid debris, lift out the **Solids Separator**. Grasp the recessed areas on the sides of the separator and lift it out. Empty the solid debris into the bin. If any liquid waste remains in the tank, pour it down a drain. To clean, rinse the separator and the tank with water.



4. Clean the filter in the top of the solids separator every month. Pull out the filter and hand-wash with warm water and soap. Allow the filter to air-dry completely in a well-ventilated area before reinstalling it.

**NOTE:** Replace the filter every **6 Months**.

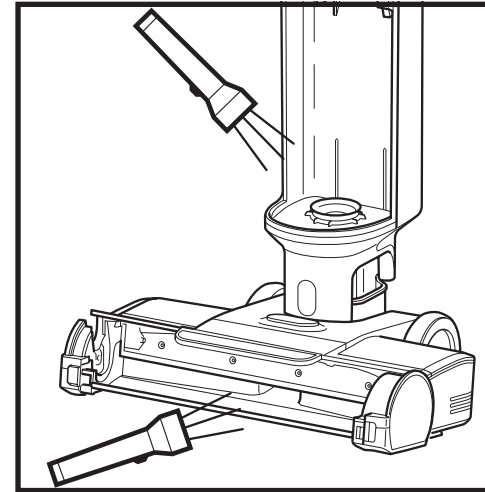
**NOTE:** Do not place dirty water tank in washing machine or dishwasher.



5. After cleaning the dirty water tank and the solids separator, allow them to air-dry in a well-ventilated area for at least 24 hours. To reinstall the tank, insert the bottom into the opening in the main body, then tilt the tank back until it clicks into place.

### CHECKING FOR BLOCKAGES

If you run over a hard or sharp object or notice a noise change while using your unit, check for blockages or objects caught in the brushroll, nozzle chamber, or inlet hose.



1. Turn off the power.
2. Remove the brushroll cover, brushroll, and dirty water tank.
3. Check the openings and remove all debris.
4. When finished, reinstall the brushroll and the cover.

### ORDERING REFILLS AND PARTS

Replace the filter and brushroll every 6 months.

Only use Shark HydroVac Concentrate or water with the Shark HydroVac.





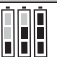










To order brushrolls, filters, Shark HydroVac Multi-Surface Concentrate, please visit [sharkclean.co.uk](http://sharkclean.co.uk) or scan the QR code below.



**NOTE:** If 3-in-1 Cleaner still does not operate properly, contact Customer Service at +44 (0)800 862 0453 or [www.sharkclean.co.uk](http://www.sharkclean.co.uk)

## LED GLOSSARY

## LED GLOSSARY

SCENARIO	VISUAL	DETAILS
<b>UNIT IS IN USE</b>		
Single battery icon is <b>on</b> .	 Solid.	Battery low. Note - you will not be able to run a self-clean cycle.
Self-clean icon is <b>pulsing</b> .	 Pulsing	Place unit on dock while self-clean icon is pulsing. Press the power button to run self-clean cycle.
Single battery icon is <b>pulsing</b> .	 Pulsing	Battery is close to running out.
Self-clean icon has turned <b>off</b> .	 Off	Insufficient battery life to run self-clean cycle after use.
<b>UNIT IS PLACED ON THE DOCK</b>		
Battery icons are pulsing.	 Pulsing	Unit is charging.
Self-clean icon is on.	 On	There is sufficient battery life to run a self-clean cycle. Press the power button to run a self-clean cycle.
Self-clean icon is off.	 Off	There is not sufficient battery life to run self-clean cycle. Wait until self-clean icon turns on to run a self-clean cycle.
Power button is pressed to activate self-clean cycle. Battery icons and self-clean icon flash three times.	 Flash x3	Unit is charging. There is not sufficient battery life to run a self-clean cycle. Wait until self-clean icon turns on to run a self-clean cycle.
Power button is pressed to activate self-clean cycle. Self-clean icon is pulsing.	 Pulsing	Self-clean cycle is running. Self-clean icon will turn off when cycle is complete. Battery icons will turn on and unit will begin charging.
<b>SELF-CLEAN CYCLE IS IN PROCESS; SELF-CLEAN CYCLE PAUSES</b>		
Self-clean icon is flashing. Blue water droplet icon is flashing.	 Flashing	Clean solution tank is empty. Fill clean solution tank and press the power button to resume self-clean cycle.
Self-clean icon is flashing. Red water droplet icon is flashing.	 Flashing	Dirty water tank is full. Empty dirty water tank and press the power button to resume self-clean cycle.
<b>UNIT IS IN USE; CLEANING FUNCTIONS TURN OFF</b>		
Blue water droplet icon is flashing.	 Flashing	Clean solution tank is empty. Fill clean solution tank, press the power button to resume cleaning.
Red water droplet icon is flashing.	 Flashing	Dirty water tank is full. Empty dirty water tank. Press the power button, resume cleaning. *If this is a false error, remove the solids separator and clean completely. Allow part to dry for 24 hours or dry manually.
Red water droplet icon is flashing. Red freshen mode icon is flashing.	 Flashing	Brushroll cover has been removed. Attach brushroll cover. Press the power button to resume cleaning.
Red water droplet icon is flashing. Red freshen mode icon is flashing.	 Flashing out of sync	Brushroll is jammed. Remove brushroll cover and brushroll. Remove any object that may be causing the brushroll to jam. Press the power button resume cleaning.



## THREE (3) YEAR LIMITED GUARANTEE

When a consumer buys a product in the UK, they get the benefit of legal rights relating to the quality of the product (your “statutory rights”). You can enforce these rights against your retailer. However, at Shark® we are so confident about the quality of our products that we give the original product owner an additional manufacturer’s guarantee of up to three years (1 year standard plus 2 on registration). These terms and conditions relate to our manufacturer’s guarantee only - your statutory rights are unaffected.

The conditions below describe the prerequisites and scope of our guarantee. They do not affect your statutory rights or the obligations of your retailer and your contract with them.

The Lithium ION power pack is not covered by the 3 year guarantee (see battery guarantee on next page)

### Shark® Guarantees

A household appliance like a vacuum cleaner constitutes a sizeable investment. Your new machine needs to work properly for as long as possible. The guarantee it comes with is an important consideration - and reflects how much confidence the manufacturer has in its product and manufacturing quality.

Every Shark® machine comes with a free parts and labour guarantee. Our customer service helpline (0800 862 0453) is open from 9.00am to 6.00pm Monday - Friday. It’s free to call, and you’ll be put straight through to a Shark® representative. You’ll also find online support at [www.sharkclean.co.uk](http://www.sharkclean.co.uk)

### How do I register my extended Shark® guarantee?

You can register your guarantee online within 28 days of purchase. To save time, you’ll need the following information about your machine:

- Date you purchased the machine (receipt or delivery note)

To register online, please visit [www.sharkclean.co.uk/register-guarantee](http://www.sharkclean.co.uk/register-guarantee). Products purchased directly from Shark® are automatically registered.

### IMPORTANT

- Both the 1 years and the extended 2 years guarantee will only cover your product from the date of purchase.
- Please keep your receipt at all times. Should you need to extend your guarantee we will need your receipt to verify the information you have supplied to us is correct. The inability to produce a valid receipt may invalidate the extension.

### What are the benefits of registering my free Shark® guarantee?

When you register your guarantee we’ll have your details to hand if we ever need to get in touch. If you further agree to receive communications from us, you can also receive tips and advice on how to get the best out of your Shark® vacuum and hear the latest news about new Shark® technology and launches.

If you register your guarantee online, you’ll get instant confirmation that we’ve received your details.

### How long are new Shark® machines guaranteed for?

Our confidence in our design and quality control means that your new Shark® vacuum cleaner is guaranteed for a total of up to three years (1 years plus 2 years on registration).

### What is covered by the free Shark® guarantee?

Repair or replacement (at Shark’s discretion) of your Shark® machine, including all parts and labour. A Shark® guarantee is in addition to your legal rights as a consumer.

### What is not covered by the free Shark® guarantee?

1. Blockages - for details of how to unblock your 3-in-1 vacuum cleaner, please refer to the instructions.
2. Normal wear and tear such as brush bar, fuse, belt, batteries, hose etc.
3. Accidental damage, faults caused by negligent use or care, misuse, neglect, careless operation or handling of the vacuum cleaner which is not in accordance with the Shark® instructions supplied with your machine.
4. Use of the vacuum cleaner for anything other than normal domestic household purposes.
5. Use of parts not assembled or installed in accordance with the operating instructions.
6. Use of parts and accessories which are not Shark® Genuine Components.
7. Faulty installation (except where installed by Shark®).
8. Repairs or alterations carried out by parties other than Shark® or its agents.
9. The Lithium ION power pack battery. Please see next page for battery guarantee.

### What happens when my guarantee runs out?

Shark® does not design products to last for a limited time. We do appreciate that there may be a desire for our customers to want to repair their vacuum cleaners after the guarantee has lapsed. In this case please contact our Freephone customer service help line and ask about our out of guarantee programme, on 0800 862 0453.

### Where can I buy genuine Shark® spares and accessories?

Shark® spares and accessories are developed by the same engineers who developed your Shark® vacuum. You’ll find a full range of Shark® spares, replacement parts and accessories for all Shark® machines at [www.sharkclean.co.uk](http://www.sharkclean.co.uk).

Please remember that damage caused by use of non-Shark® spares is not covered under your guarantee.

## TWO (2) YEAR LIMITED BATTERY GUARANTEE

When a consumer buys a product in the UK, they get the benefit of legal rights relating to the quality of the product (your “statutory rights”). You can enforce these rights against your retailer. However, at Shark® we are so confident about the quality of our products that we give you an additional manufacturer’s guarantee of up to two years for the battery (1 year as standard plus 1 year when you register). These terms and conditions relate to our manufacturer’s guarantee only - your statutory rights are unaffected.

Every Shark® machine comes with a free parts and labour guarantee. Our customer service helpline (0800 862 0453) is open from 9.00am to 6.00pm Monday - Friday. It’s free to call, and you’ll be put straight through to a Shark® representative.

You’ll also find online support at [www.sharkclean.co.uk](http://www.sharkclean.co.uk)

### IMPORTANT

- The manufacturer’s guarantee covers your battery for 2 years starting on the date of purchase.
- Please keep your receipt at all times. Should you need to use your guarantee we will need your receipt to verify the information you have supplied to us is correct. The inability to produce a valid receipt may invalidate your guarantee.

### How long are new Shark® batteries guaranteed for?

Our confidence in our design and quality control means that your new Shark® vacuum cleaner battery is guaranteed for a total of one year as standard, one year on registration.

### What is covered by the free Shark® guarantee?

Repair or replacement of your Shark® battery (at Shark’s discretion to decide whether to replace or repair) including all parts and labour. A Shark® guarantee is in addition to your legal rights as a consumer.

### What is not covered by the free Shark® guarantee?

1. Normal wear and tear of parts which require regular maintenance and/or replacement to ensure the proper functioning of your unit.
2. Accidental damage, faults caused by negligent use or care, misuse, neglect, careless operation or handling of the vacuum cleaner which is not in accordance with the Shark® Instructions supplied with your machine.
3. Use of the battery for anything other than powering the 3-in-1 cleaner.
4. Use of parts not assembled or installed in accordance with the instructions.
5. Use of parts and accessories which are not Shark® spares.
6. Faulty installation (except where installed by Shark®).

### Where can I buy genuine Shark® spares and accessories?

Shark® spares and accessories are developed by the same engineers who developed your Shark® vacuum. You’ll find a full range of Shark® spares, replacement parts and accessories for all Shark® machines at [www.sharkclean.co.uk](http://www.sharkclean.co.uk).

Please remember that damage caused by use of non-Shark® spares is not covered under your guarantee.



## REGISTER YOUR PURCHASE



registryourshark.com



## RECORD THIS INFORMATION

Model Number: \_\_\_\_\_

Date Code: \_\_\_\_\_

Date of Purchase: \_\_\_\_\_  
(Keep receipt)

Store of Purchase: \_\_\_\_\_

**TIP:** You can find the model on the QR code label on the bottom of the back of the 3-in-1 Cleaner.

All testing on carpet (e.g. per ASTM-F608) shall be conducted in Freshen Mode.

## TECHNICAL SPECIFICATIONS

Voltage: 21.6V

UK  
CA



@sharkcleaninguk

@sharkcleanuk

@sharkcleanuk

## PLEASE READ CAREFULLY AND KEEP FOR FUTURE REFERENCE.

This Instruction Booklet is designed to help you get a complete understanding of your new Shark HydroVac™ Cordless 3-in-1 Cleaner.

**SharkNinja Europe Limited,**  
**3150 Century Way, Thorpe Park,**  
**Leeds, LS15 8ZB, UK**  
**+44 (0)800 862 0453**  
**www.sharkclean.co.uk**

**SharkNinja Germany GmbH,**  
**c/o Regus Management GmbH,**  
**Excellent Business Center 10.+11. Stock,**  
**Westhafenplatz 1,**  
**60327 Frankfurt am Main, Germany**  
**www.sharkclean.eu**

Illustrations may differ from actual product. We are constantly striving to improve our products, therefore the specifications contained herein are subject to change without notice.

SHARK is a registered trademarks of SharkNinja Operating LLC.  
SHARK HYDROVAC is an unregistered trademark in the United Kingdom of SharkNinja Operating LLC.