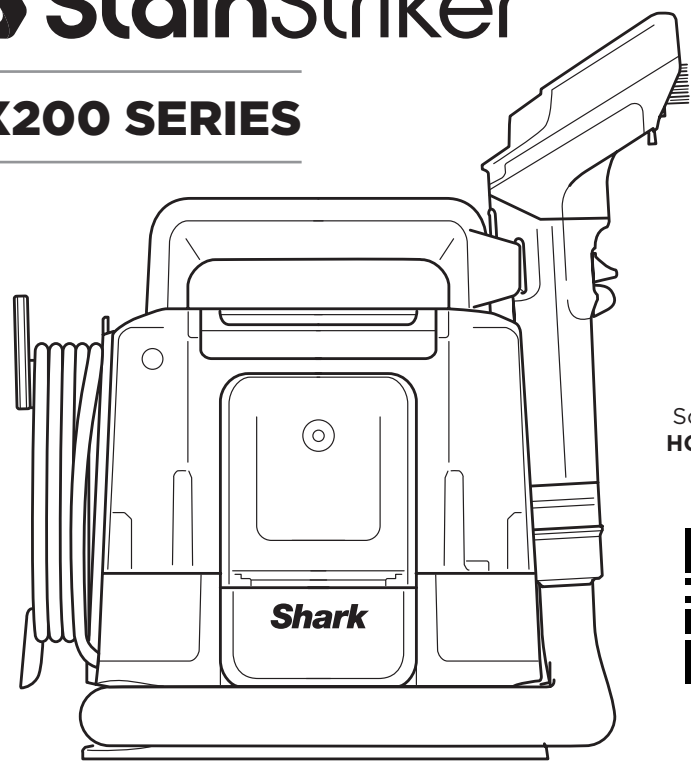


Shark

StainStriker

PX200 SERIES



Scan QR to view
HOW-TO VIDEOS
and more.



IMPORTANT SAFETY INSTRUCTIONS - FOR HOUSEHOLD USE ONLY

READ CAREFULLY BEFORE USE - SAVE THESE INSTRUCTIONS. FOR HOUSEHOLD USE ONLY;
READ ALL INSTRUCTIONS BEFORE USING THIS SPOT CARPET/UPHOLSTERY CLEANER

⚠ WARNING

To reduce the risk of fire, electric shock, injury, or property damage:

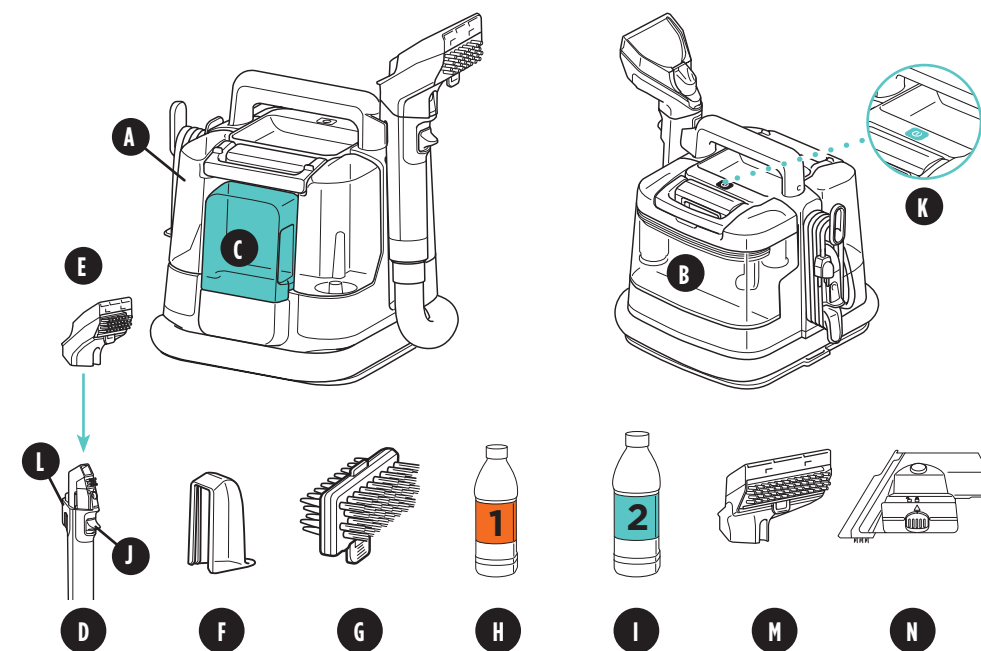
1. Improper connection of the equipment grounding conductor can result in a risk of electric shock. Check with a qualified electrician or service person if you are in doubt as to whether the socket is properly grounded.
2. **DO NOT** modify the plug provided with the appliance.
3. **DO NOT** force into socket or try to modify it.
4. **DO NOT** pull, close door, or wrap around sharp edges or corners on the cord. To unplug, grasp the plug, not the cord. Keep cord away from heated surfaces.
5. To reduce the risk of fire or electric shock due to internal component damage, use ONLY Shark CarpetXpert/StainStriker formula in the correct tanks, as intended for use with this appliance. See instructions within this guide.
6. The areas around where you are cleaning may become wet, use care to avoid slipping and falling.
7. Use care when removing and reattaching the hand tool to the Spot Cleaner to avoid accidental activation of the cleaning solution.
8. **DO NOT** spray solution on your skin or in your eyes.
9. **DO NOT** fill solution tanks while installed on the appliance. Remove before filling.
10. **DO NOT** operate if there is any wetting of the exterior surfaces of the appliance. If the appliance is wet, dry with a cloth before use.
11. To reduce the risk of shock and unintended operation, turn off and unplug Spot Cleaner before any adjustment, cleaning, maintenance, or troubleshooting.
12. Before each use, carefully inspect each part for damage or wear. If a part is damaged or worn out, immediately discontinue use. **DO NOT** use if any part is damaged or if Spot Cleaner is not working as it should, has been dropped, left outdoors, or dropped into water.
13. **DO NOT** immerse or spray water on the body of the Spot Cleaner. To clean the surface, wipe with a dry cloth.

14. **DO NOT** allow to be used by children or as a toy. Close supervision is necessary when used near children.
15. **DO NOT** handle plug or Spot Cleaner with wet hands.
16. **DO NOT** use without the dirty water tank, clean solution tank, or filter in place.
17. Use only identical Shark® replacement parts. Only use Shark® branded filters and accessories.
18. If plugging unit into extension cord, ensure cord is no more than 15m to prevent damage to the motor.
19. **DO NOT** place Spot Cleaner on uneven surfaces.
20. **DO NOT** use to pick up:
 - a) Large objects
 - b) Hard or sharp objects (glass, nails, screws, or coins)
 - c) Large quantities of dust (e.g., drywall dust).
 - d) Smoking or burning objects (hot coals, cigarette butts, or matches)
 - e) Flammable or combustible materials (lighter fluid, petrol, or kerosene)
 - f) Toxic materials (chlorine bleach, ammonia, or drain cleaner)
21. **DO NOT** use in the following areas:
 - a) Poorly lit areas
 - b) Outdoor areas
 - c) Spaces that are enclosed and may contain explosive or toxic fumes or vapors (lighter fluid, petrol, kerosene, paint, paint thinners, mothproofing substances, or flammable dust).

DO NOT: Engage spray trigger unless pointing at the affected area. **WARNING:** May still spray when the unit is powered off.

PARTS

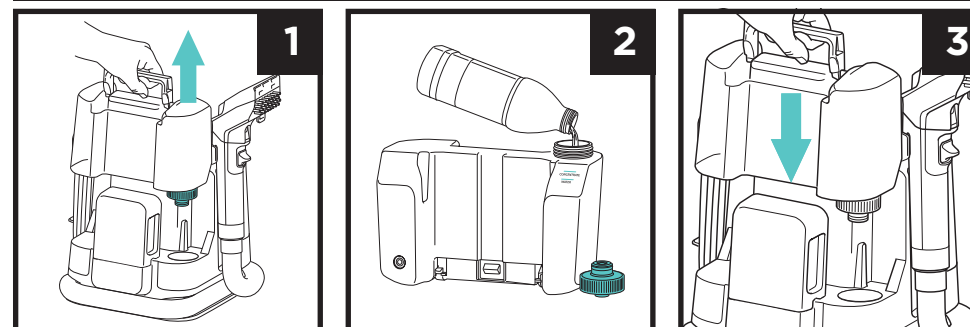
- | | |
|--------------------------|--------------------------------|
| A CarpetXpert Tank | H 177ml Deep Clean Pro Formula |
| B Dirty Water Tank | I 355ml OXY Multiplier Formula |
| C StainStriker Tank | J Spray Trigger |
| D Crevice Tool | K Power Button |
| E Tough Stain Tool | L Detach Button |
| F Hose Cleaning Tool | M Wide Tough Stain Tool* |
| G 2x Reversible Bristles | N Pet Stain Trapping Tool* |



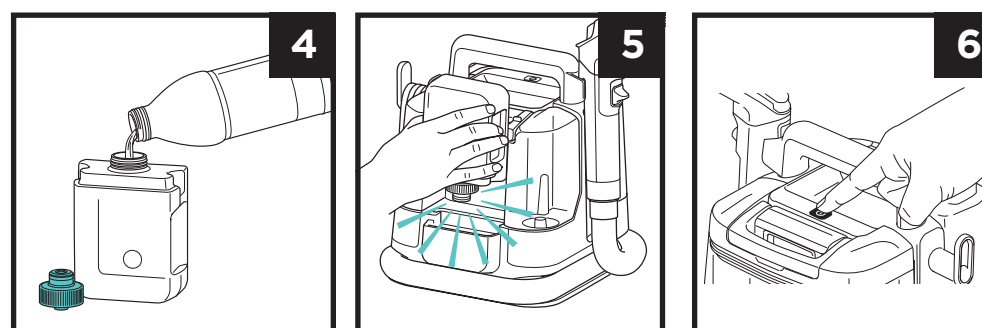
* Tools sold with the Pet model PX200UKT (or sold separately)

NOTE: Not all accessories come with all units. Tools may vary by model. For additional accessories available, please visit sharkaccessories.co.uk

GETTING STARTED



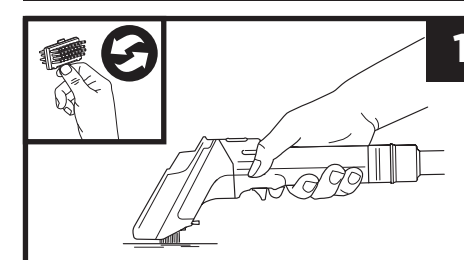
1. Detach the CarpetXpert Tank from the unit. Turn the tank over, unscrew cap and remove.
2. Add water to the CarpetXpert Tank up to the Water fill line. Then add CarpetXpert formula to the Concentrate fill line.
3. Replace the cap, then reinstall the tank until it clicks into place.



4. Detach the StainStriker tank from the unit and turn over. Unscrew the cap and pour the StainStriker formula into the tank.
5. Replace the cap and reinstall the tank until it clicks into place.
6. Unwrap the power cable and plug into a power socket. Turn **ON** unit to begin cleaning.

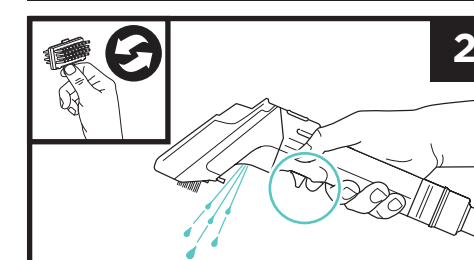
IMPORTANT: Vacuum with traditional vacuum cleaner first before using Stain Striker. Use **ONLY** Shark branded cleaning solutions, CarpetXpert/Oxy Multiplier.

WET STAIN CLEANING



1. For Wet Stains, follow the Stain Guide located on the hand tool. Turn ON using the power button and vacuum up the liquid mess. Spray the stain area. Scrub with the bristles, then tilt hand tool forward and drag across the stain area to extract liquid. Repeat if needed. To avoid longer dry times, do not over spray.

DRY STAIN CLEANING



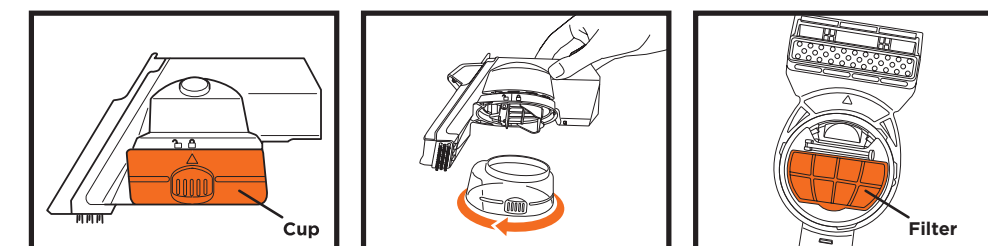
2. For Dry stains, follow the Stain Guide located on the hand tool. Turn ON using the power button. spray the stain area. Scrub stain again, then tilt hand tool forwards and drag across the stain area to extract liquid. Repeat if needed. To avoid longer dry times, do not over spray.

Note: For hard to reach areas, tool can be used without a hand tool attachment using only the crevice tool set up.
Tip: Choosing the bristles - The rubber bristles are best suited for more delicate surfaces and upholstery. The tough bristles are ideal for stubborn agitation on hard wearing surfaces.

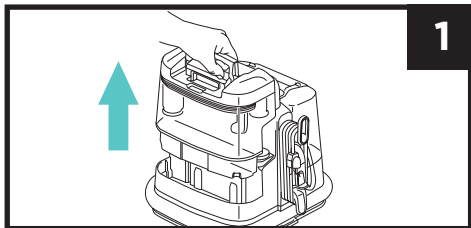
PET STAIN TRAPPING TOOL

The Shark Pet Stain Trapping Tool is included with select models. This extracts unhygienic messes, preventing the mess from reaching the hose and the interior of the unit. **DO NOT** use the tool to remove pet hair. To use, spray the wet mess, then extract it as advised above. To avoid oversaturating, do not over spray. **DO NOT** exceed the **MAX FILL** line on the Pet Tool Cup.

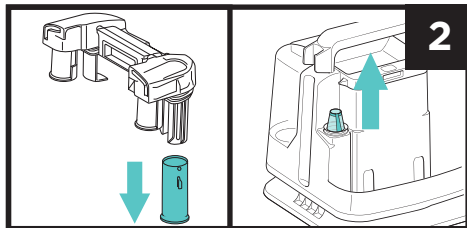
Keep the tool level, without tipping to prevent the mess from reaching the hose. After use, turn off the power of the main unit and empty the tool cup where appropriate. Wash the cup, filter, and the rest of the tool thoroughly with soap and water after each use.



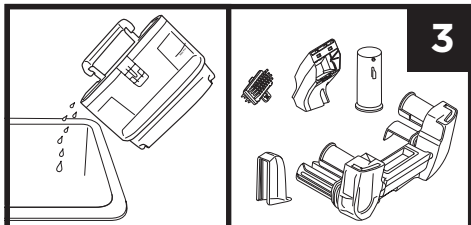
MAINTENANCE



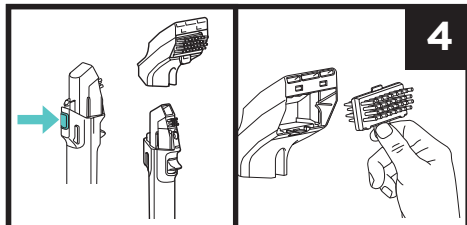
1. Detach the dirty water tank, keeping the tank upright and set down on a level surface. Push the handle all the way back until it clicks, then lift off the lid.



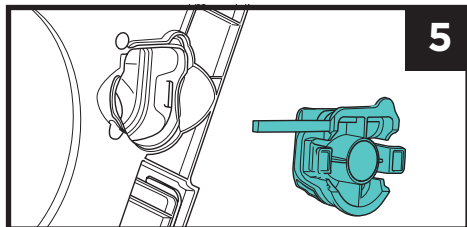
2. Clean the float valve and make sure it can move freely. Remove the foam filter from the unit whilst cleaning.



3. Suitably pour away the dirty liquid from the dirty water tank, tapping off any loose debris. Clean off any other debris on the hand tools, bristles, lid and float valve. Rinse all parts thoroughly with soap and water and allow to air-dry completely before reinstalling.



4. Detach the hand tool by pressing the release button. Remove the cover from the hand tool to clean the air path. Wash the bristles on the hand tool thoroughly.



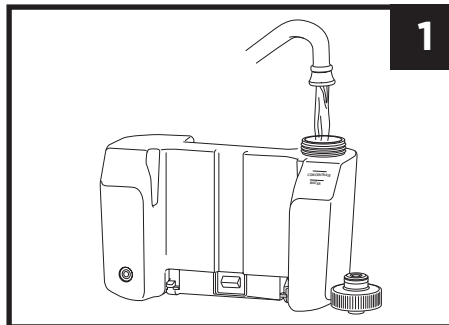
5. To clear any clogged debris, remove the connecting clip on the bottom of the unit. Clear all debris, then close the door.

NOTE: Clean unit after every use to avoid odours, bacteria, and mould.

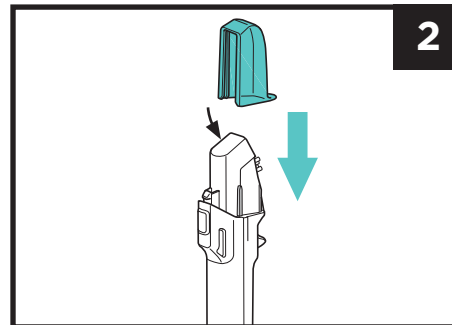
TROUBLESHOOTING

Problem	Solution
Inconsistent spray or no spray	Ensure there is cleaning solution in both of the solution tanks. Make sure the CarpetXpert Tank is installed correctly. Make sure the unit is plugged in and the power is on.
Low suction or no suction	Make sure the dirty water tank is not overfilled and is installed correctly. Check the clog access point underneath the unit and clear any debris trapped inside at the end of the hose. If a cleaning tool is attached, make sure it is connected correctly. Remove any debris from the cleaning attachments.
Unit not turning on	Make sure the unit is plugged in completely. Try a different socket. Ensure On/Off button was pressed.
Liquid leaking from unit	The dirty water tank may be overfilled. Make sure the dirty water tank and the CarpetXpert Tank are both installed correctly. Make sure the float valve in the dirty water tank is not stuck. Make sure the unit is on a stable, flat surface.
Solution tanks leaking	Make sure the caps on the solution tanks are tightened full. Make sure both tanks are installed correctly and the caps have clicked into place.

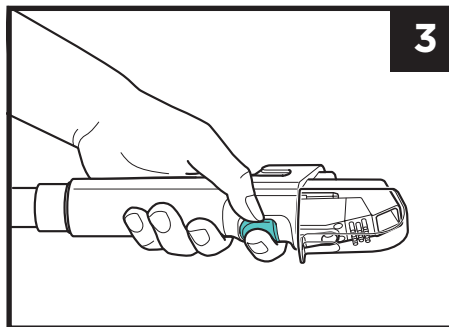
CLEANING THE HOSE



1. Make sure the unit is turned off. Remove the solution tank and fill tank with water up to the water fill line.

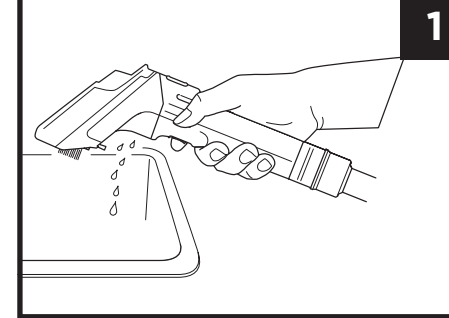


2. Securely attach the hose cleaning tool to the crevice tool

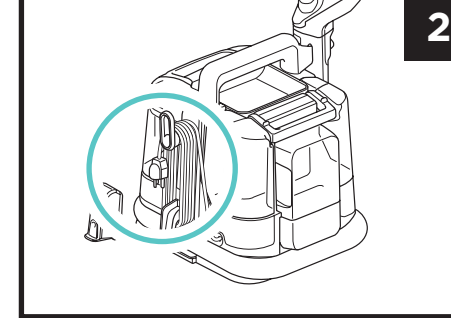


3. Hold the crevice tool in a horizontal position and turn ON the unit. Press and hold the spray trigger for one minute. Repeat the process as needed to remove all dirt and debris from hose.

STORAGE



1. Unplug the unit and place it near a sink, toilet, or drain to empty the remaining liquid from the attached Tool. Clean the unit and all parts (See Maintenance and Cleaning the Hose sections).



2. When cleaning is complete and all parts have dried, reattach all the tools. Wrap up the power cord, then store the hose cleaning tool on the unit. Wrap the hose around the base of the unit and store the hand tool in its holder.

CLEANING & DRYING GUIDE

CLEANING:

- When applying the cleaning solution, only cover the stain at the beginning of the cleaning process. Avoid oversaturating the area, or continual spraying during cleaning.
- For older and tougher stains, allow between 5-20 minutes for the cleaning solution to settle into the stain and get to work.
- For fresh stain cleaning, these can be cleaned immediately after spraying.
- Always agitate the area thoroughly to break up the stain. Brush in multiple directions for best results.
- Always ensure to use the correct solution dilution measures when setting up the unit for cleaning.

DRYING:

- When extracting the liquid, pass over the cleaning area in a uniform pattern, applying downward pressure throughout.
- Angle the hand tool to engage the suction vents parallel to the cleaning surface for optimum suction.
- Continue to pass over the cleaning area until liquid is no longer extracting through the hand tool window.

For information, scan QR to view **HOW-TO VIDEOS.**



THREE (3) YEAR LIMITED WARRANTY

THE SHARK GUARANTEE

When a consumer buys a product in the UK, they get the benefit of legal rights relating to the quality of the product (your "legal rights"). You can enforce your legal rights against your retailer, including Shark if you bought your Shark appliance from sharkclean.co.uk. However, at Shark we are so confident about the quality of our products that we give the owner an additional, free parts and labour manufacturer's guarantee of up to 3 years.
A household appliance like a Shark floorcare appliance constitutes a sizeable investment. Your new machine needs to work properly for as long as possible. The guarantee it comes with is an important consideration - and reflects how much confidence the manufacturer has in its product and manufacturing quality.
The manufacturer's guarantee does not affect your legal rights.

How long are new Shark machines guaranteed for?

Our manufacturer's guarantee lasts for one year from the date of purchase as standard, or for three years if you register your purchase with us within 28 days. There is information on how to register below.

How do I register my Shark guarantee?

If you have purchased your Shark appliance directly from sharkclean.co.uk your guarantee is registered automatically. If you bought it from anywhere else, you can register your guarantee online within 28 days of purchase.

- To register online, please visit www.sharkclean.co.uk/register-guarantee or scan the QR code in your instruction manual.
- Keep a note of the date you purchased the machine.

IMPORTANT:

- Keep your receipt if you bought your Shark floorcare appliance from anywhere except sharkclean.co.uk. You will need it to claim under your guarantee.
- The free Shark guarantee only applies to Shark owners living permanently in the UK.

What are the benefits of registering my free Shark guarantee?

When you register your guarantee, you will get an extra two years of cover. We'll also have your details to hand if we ever need to get in touch. If you further agree to receive communications from us, you can also receive tips and advice on how to get the best out of your Shark floorcare appliance and hear the latest news about new Shark technology and launches.

What is covered by the free Shark guarantee?

Repair or replacement (at Shark's option) of your Shark machine, including all parts and labour.

What is not covered by the free Shark guarantee?

- Normal wear and tear.
- Accidental damage or faults caused by negligent use or care, misuse, neglect, careless operation or handling of the Shark appliance which is not in accordance with the Shark Operating Manual supplied with your machine.
- Damage caused by use of the Shark appliance for anything other than normal domestic household purposes.
- Damage caused by use of parts not assembled or installed in accordance with the operating instructions.
- Damage caused by use of parts and accessories which are not Shark Genuine Components
- Faulty installation (except where installed by Shark).
- Repairs or alterations carried out by parties other than Shark or its agents.

How can I claim under the free Shark guarantee?

Contact our customer service helpline on 0800 862 0453. For service hours please visit our website under 'Contact Us'. It's free to call, and you'll be put straight through to a Shark representative. You'll also find online support at <https://support.sharkclean.co.uk/>. The Shark representative will go through some troubleshooting with you, and if we conclude that the item has failed, we will send you a replacement part or a returns label to send the defective item back to us free of charge. When you have delivered the defective product to us, we will send you a replacement.

Please remember that the item will need to be boxed when you return it to us, which can be any suitable box; it does not have to be the original packaging.

Where can I buy genuine Shark spares and accessories?

Shark spares and accessories are developed by the same engineers who developed your Shark floorcare appliance. You'll find a full range of Shark spares, replacement parts and accessories for all Shark machines at www.sharkclean.co.uk. Please remember that damage caused by the use of non-Shark spares may not be covered under your guarantee.

CLEANING FORMULAS



Shark Deep Clean Pro
Deep carpet cleaning pro formula for removing dirt & grime.



Shark OXY Multiplier
Tough stain eliminating formula for those stubborn stains & odours.



To order refills of Shark® Deep Clean Pro and Shark OxyMultiplier, scan the QR code.

TECHNICAL SPECIFICATIONS

PX200 Series: =220V - 240V, 60 Hz, 450W

RECORD THIS INFORMATION

Model Number: _____

Date of Purchase: _____
(Keep receipt)

Store of Purchase: _____

© 2023 SharkNinja Operating LLC.

SharkNinja Europe Limited, 3150 Century Way, Thorpe Park, Leeds, LS15 8ZB, UK.

0800 862 0453 sharkclean.co.uk

SharkNinja Germany GmbH, Rotfeder-Ring 9, 60327 Frankfurt am Main, Germany.

SHARK is a registered trademark in the United Kingdom of SharkNinja Operating LLC. STAINSTRIKER is a pending trademark application in the United Kingdom of SharkNinja Operating LLC.

Illustrations may differ from actual product.

PX200UKSeries_IB_A3_MP_230608_Mv3