

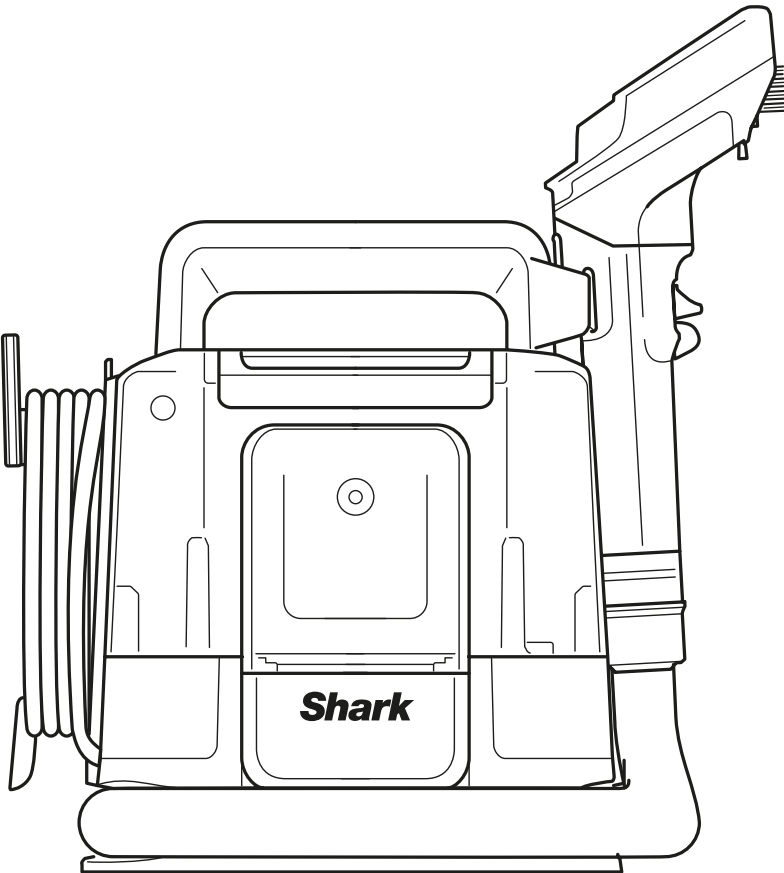
Shark

StainStriker

HairPro Pet

INSTRUCTION BOOKLET

PX250 SERIES



Scan QR to view
HOW-TO VIDEOS
and more.



CONTENTS

Important Safety Instructions.....	3
What's Included.....	4
Getting Started	5
Accessories.....	6
Cleaning Guide.....	8
Cleaning the Hand Tools and Hose.....	9
Maintenance	10
Troubleshooting	11
Guarantee	12



This marking indicates that this product should not be disposed with other household wastes throughout the UK. To prevent possible harm to the environment or human health from uncontrolled waste disposal, recycle it responsibly to promote the sustainable reuse of material sources.

To return your used device, please use the return and collection systems or contact the retailer where this product was purchased. They can take this product for environmentally safe recycling.

IMPORTANT SAFETY INSTRUCTIONS - FOR HOUSEHOLD USE ONLY

READ CAREFULLY BEFORE USE - SAVE THESE INSTRUCTIONS. FOR HOUSEHOLD USE ONLY;
READ ALL INSTRUCTIONS BEFORE USING THIS SPOT CARPET/UPHOLSTERY CLEANER

⚠ WARNING REDUCE THE RISK OF FIRE, ELECTRIC SHOCK, INJURY, OR PROPERTY DAMAGE:

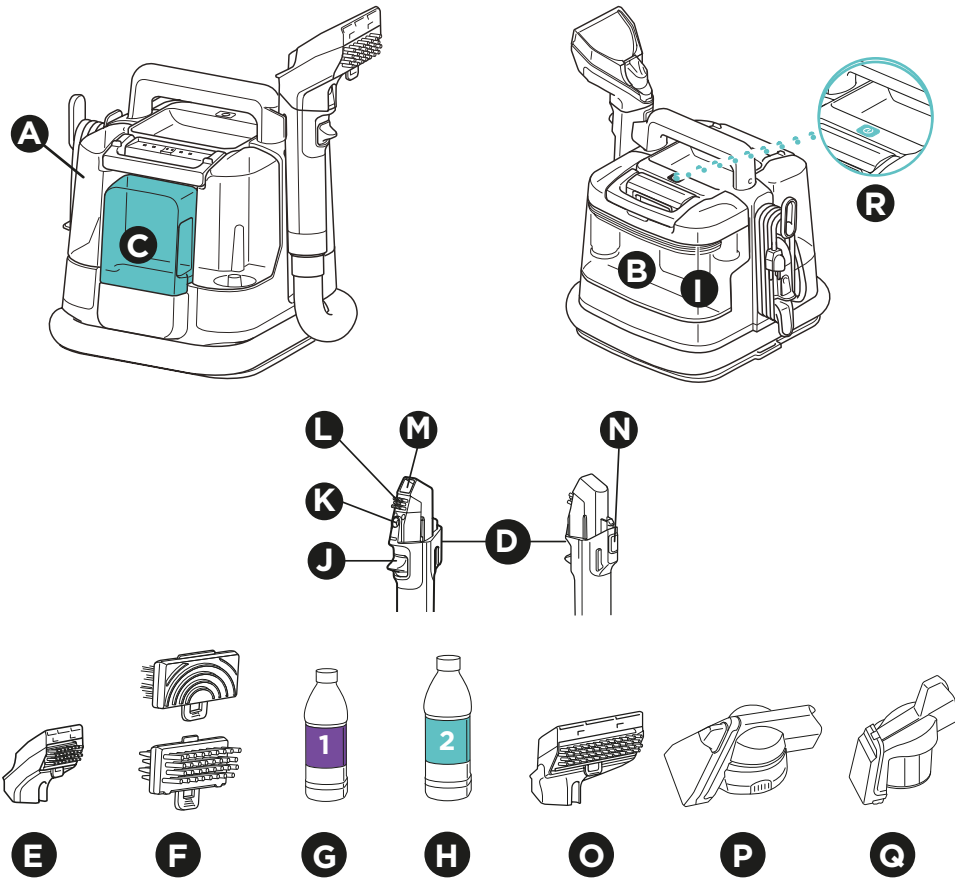
This appliance is not intended for use by persons (including children) with reduced physical, sensory or mental capabilities, or lack of experience and knowledge, unless they have been given supervision or instruction concerning use of the appliance by a person responsible for their safety. Children should be supervised to ensure that they do not play with the appliance.

1. Improper connection of the equipment grounding conductor can result in a risk of electric shock. Check with a qualified electrician or service person if you are in doubt as to whether the socket is properly grounded.
2. **DO NOT** modify the plug provided with the appliance.
3. **DO NOT** force into socket or try to modify it.
4. **DO NOT** pull, close door, or wrap around sharp edges or corners on the cord. To unplug, grasp the plug, not the cord. Keep cord away from heated surfaces.
5. To reduce the risk of fire or electric shock due to internal component damage, use ONLY Shark Deep Clean Pro/Oxy Multiplier formula in the correct tanks, as intended for use with this appliance. See instructions within this guide.
6. The areas around where you are cleaning may become wet, use care to avoid slipping and falling.
7. Use care when removing and reattaching the hand tool to the Spot Cleaner to avoid accidental activation of the cleaning solution.
8. **DO NOT** spray solution on your skin or in your eyes.
9. **DO NOT** fill solution tanks while installed on the appliance. Remove before filling.
10. **DO NOT** operate if there is any wetting of the exterior surfaces of the appliance. If the appliance is wet, dry with a cloth before use.
11. To reduce the risk of shock and unintended operation, turn off and unplug Spot Cleaner before any adjustment, cleaning, maintenance, or troubleshooting.
12. Before each use, carefully inspect each part for damage or wear. If a part is damaged or worn out, immediately discontinue use.
DO NOT use if any part is damaged or if Spot Cleaner is not working as it should, has been dropped, left outdoors, or dropped into water.
13. **DO NOT** immerse or spray water on the body of the Spot Cleaner. To clean the surface, wipe with a dry cloth.
14. **DO NOT** allow to be used by children or as a toy. Close supervision is necessary when used near children.
15. **DO NOT** handle plug or Spot Cleaner with wet hands.
16. **DO NOT** use without the dirty water tank, clean solution tank, or filter in place.
17. Use only identical Shark® replacement parts. Only use Shark® branded filters and accessories.
18. If plugging unit into extension cord, ensure cord is no more than 15m to prevent damage to the motor.
19. **DO NOT** place Spot Cleaner on uneven surfaces.
20. **DO NOT** use to pick up:
 - a) Large objects
 - b) Hard or sharp objects (glass, nails, screws, or coins)
 - c) Large quantities of dust (e.g., drywall dust).
 - d) Smoking or burning objects (hot coals, cigarette butts, or matches)
 - e) Flammable or combustible materials (lighter fluid, petrol, or kerosene)
 - f) Toxic materials (chlorine bleach, ammonia, or drain cleaner)
21. **DO NOT** use in the following areas:
 - a) Poorly lit areas
 - b) Outdoor areas
 - c) Spaces that are enclosed and may contain explosive or toxic fumes or vapors (lighter fluid, petrol, kerosene, paint, paint thinners, mothproofing substances, or flammable dust).**DO NOT:** Engage spray trigger unless pointing at the affected area. **WARNING:** May still spray when the unit is powered off.

SAVE THESE INSTRUCTIONS

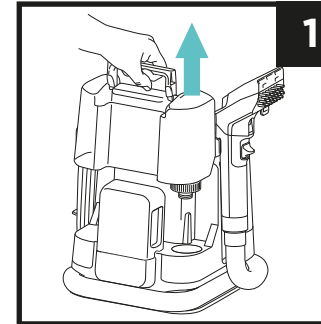
PARTS

- A** Deep Clean Tank
- B** Dirty Water Tank
- C** StainStriker Tank
- D** HairPro Integrated Crevice Tool
- E** HairPro Tough Stain Tool
- F** Reversible Bristles
- G** 177ml Deep Clean Pet Formula
- H** 355ml OXY Multiplier Formula
- I** Hair Collection Basket
- J** Spray Trigger
- K** Spray Outlet
- L** Removable Bristles
- M** Suction Inlet
- N** Tool Release Button
- O** HairPro Wide Tough Stain Tool
- P** HairPro Pet Mess Trapping Tool
- Q** HairPro Pet Hair Trapping Tool
- R** Power Button

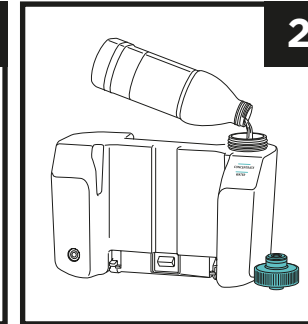


NOTE: Not all accessories come with all units. Tools may vary by model. For additional accessories available, please visit www.sharkclean.co.uk

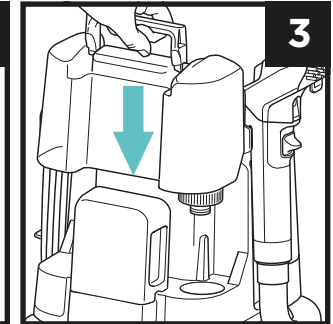
GETTING STARTED



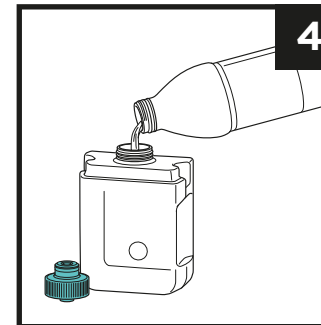
1. Remove the Deep Clean Tank from the unit. Turn the tank over, unscrew cap and remove.



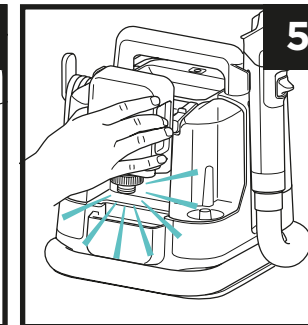
2. Add water to the Deep Clean Tank up to the Water fill line. Then add Deep Clean Pet formula to the Concentrate fill line.



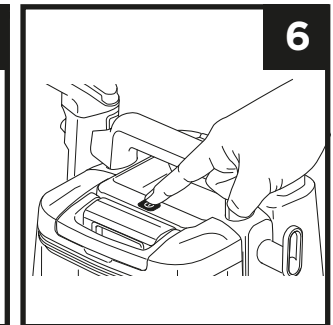
3. Replace the cap, then reinstall the tank until it clicks into place.



4. Remove the StainStriker tank from the unit and turn over. Unscrew the cap and pour the Oxy Multiplier formula into the tank.



5. Replace the cap and reinstall the tank until it clicks into place.




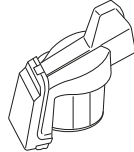



6. Unwrap the power cable and plug into a power socket. Turn **ON** unit to begin cleaning.

TIP: Upon first use, remove the dirty water tank, and reattach it firmly ensuring the surfaces are properly sealed.

IMPORTANT: Vacuum with traditional vacuum cleaner first before you begin stain cleaning. Use **ONLY** Shark branded cleaning solutions in this unit.

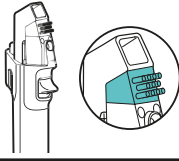
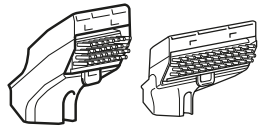
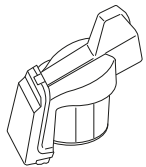
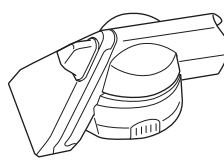
ACCESSORIES

	HairPro Integrated Crevice Tool	HairPro Tough Stain Tool	HairPro Wide Tough Stain Tool	HairPro Pet Hair Extractor	HairPro Pet Stain Extractor
					
Tough Stains	✓	✓	✓		
Light Stains	✓*	✓*	✓*	✓	✓
Large Stains			✓		
Light Hair Pick Up	✓	✓	✓	✓	
Heavy Hair Pick Up				✓	
Pet Mess Pick Up					✓
For WET Use (With Solution)	✓	✓	✓	✓	✓
For breaking up DRY stains	✓	✓	✓	✓	✓
Rinse & Go Self Wash	✓	✓			

*Use Hair Gripping Fins/Rubber Agitators.

NOTE: Clean each tool after use and allow to dry fully before storing.

ACCESSORIES

HairPro Integrated Crevice Tool	For hard-to reach areas and small stains.
	<p>Tips:</p> <ul style="list-style-type: none"> • Swap between Bristles for tough stains, and Rubber Agitators for light stains or cleaning delicate surfaces. • To remove the bristles, squeeze the indents and pull outwards. • Clean with Rinse & Go Self Wash.
Hairpro Tough Stain Tools	For larger stains and deeper cleans.
	<p>Tips:</p> <ul style="list-style-type: none"> • Swap between Bristles for tough stains, and Hair Gripping Fins for light hair pick up & stains or cleaning delicate surfaces. • Clean the HairPro Tough Stain Tool with Rinse & Go Self Wash. • Clean the HairPro Wide Tough Stain Tool by removing the window and rinsing in water.
HairPro Pet Hair Extractor	For heavy hair pickup & light stains.
	<p>Tips:</p> <ul style="list-style-type: none"> • Use short backwards strokes to collect the surface hair. • Twist the cup to remove, empty and clean. • Empty the cup frequently to maintain performance. • The mesh filter can be twisted and removed for separate cleaning. • The front window can be removed for cleaning. To replace, align the lower part first before clipping into place.
Hairpro Pet Stain Extractor	Captures unhygienic pet messes - and prevents them from contaminating your unit.
	<p>Tips:</p> <ul style="list-style-type: none"> • Spray, Scrub and extract the stain. • Twist the cup to remove, empty and clean. • Empty the cup regularly. • Keep tool level to reduce spillage. • The mesh filter can be flipped down and removed for cleaning. • The front window can be removed for cleaning. To replace, align the lower part first before clipping into place.

CLEANING AND DRYING TIPS

CLEANING:

- Avoid oversaturating the stain by continually spraying.
- Allow the solution to sit for 5-20mins on older stains.
- Clean fresh stains immediately.
- Scrub in multiple directions for enhanced stain removal.
- Ensure solution is correctly diluted.

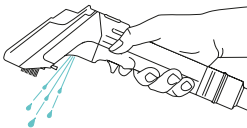
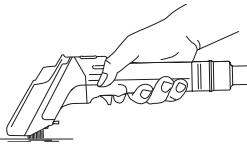
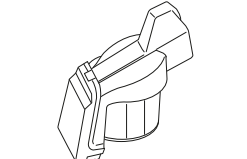
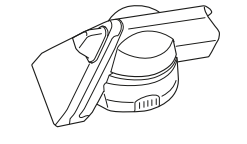
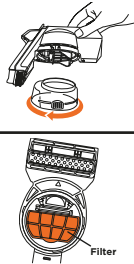
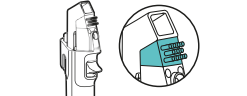

DRYING:

- Apply even and constant pressure when extracting excess liquid.
- Angle the tool forward slightly to engage the vents fully to the surface, for optimum suction.
- Continue passing over the surface until no more liquid is removed.

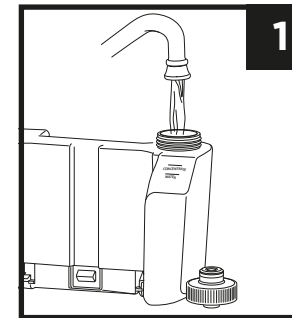


For information, scan QR to view **HOW-TO VIDEOS**

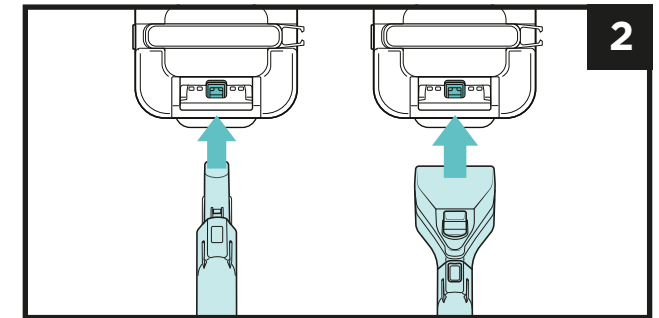
CLEANING GUIDE

<p>WET STAIN CLEANING</p> 	<ol style="list-style-type: none"> 1. Follow the stain guide located on the HairPro Crevice Tool. 2. Turn on the unit and vacuum up the liquid mess. 3. Spray and scrub the stain. 4. Tilt the tool forward to extract the stain and any excess liquid. 5. Repeat if necessary. <p>Note: Review stains after 24hrs to ensure they are fully removed. Repeat cleaning if necessary.</p>
<p>DRY STAIN CLEANING</p> 	<ol style="list-style-type: none"> 1. Follow the stain guide located on the HairPro Crevice Tool. 2. Scrub the stain. 3. Turn on the unit. 4. Spray and scrub the stain. 5. Tilt the tool forward to extract the stain and any excess liquid. 6. Repeat if necessary. <p>Note: Review stains after 24hrs to ensure they are fully removed. Repeat cleaning if necessary.</p>
<p>HAIR PICKUP</p> 	<ol style="list-style-type: none"> 1. Use the Gripping Fins/Rubber Agitators. 2. Before cleaning the stain, use short backwards strokes to collect surface hair. 3. Frequently tilt the tool forward to vacuum up the hair. 4. Refer to the cleaning guide above & Accessories section for tips on hair pickup. <p>Note: For surfaces with heavy hair, use the HairPro Pet Hair Extractor.</p>
<p>PET MESS CLEANING</p> 	<ul style="list-style-type: none"> • Use the HairPro Pet Mess Trapping Tool to prevent unhygienic messes entering your unit. • Spray, scrub and extract the stain, keeping the tool level. • DO NOT exceed the MAX FILL line of the cup. After use, turn off the power to the unit and empty the tool cup where appropriate. • Wash the window, cup, filter and rest of the body thoroughly with soapy water. • See the Accessory guide for tool tips. 
<p>CREVICE CLEANING</p> 	<ul style="list-style-type: none"> • For hard-to-reach areas, use the integrated HairPro Crevice Tool. • Swap the bristles from tough stain to rubber agitators depending on stain or hair cleaning. • To remove the Crevice Tool bristles, pinch both sides of the black bristle insert and pull outwards. • Follow the cleaning guides above.
<p>REVERSIBLE BRISTLES</p> 	<ul style="list-style-type: none"> • The HairPro Tough Stain Tool, HairPro Wide Tough Stain Tool and Integrated HairPro Crevice Tool all feature swappable bristles. • The tough stain bristles are best suited for tough stain cleaning whereas Hair Gripping Fins are designed for hair collection and stain cleaning on delicate surfaces.

CLEANING THE HAND TOOLS AND HOSE



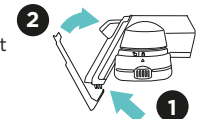
1. Ensure the Deep Clean Tank is at least partially filled with Cleaning Solution and Water.



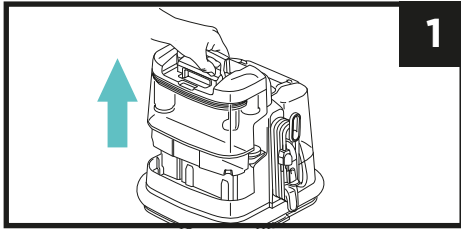
2. Turn on the power. Align the hand tool and press down to engage the self-cleaning button to flush the hand tool with cleaning solution. Tilt the tool up and down while shaking the hose for optimal, even cleaning. After cleaning is complete, hold the tool up high and let unit run for 3 seconds. Turn off the power.

Note: The Rinse & Go feature is only compatible with the HairPro Crevice Tool and HairPro Tough Stain Tool. For the remaining tools, remove the window, cups, filters and bristles (if applicable) and clean with soapy water. Allow all tools to dry before storing.

Tip: After cleaning the Pet Mess Trapping tool, replace the clear window by first aligning the bottom (1) over the bristles, and then rotate up until it snaps into place (2).

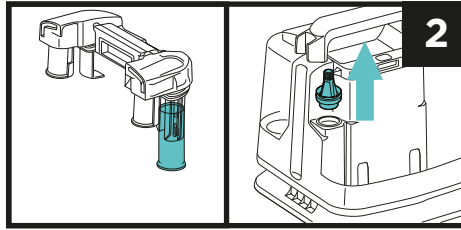


MAINTENANCE



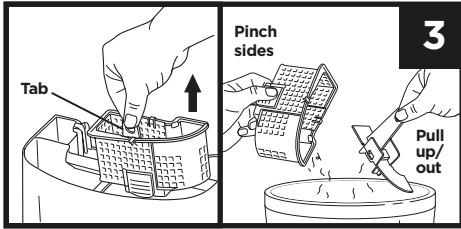
1

1. Remove the dirty water tank keeping the tank upright and place down on a level surface. Push the handle all the way back until it clicks, then lift off the lid.



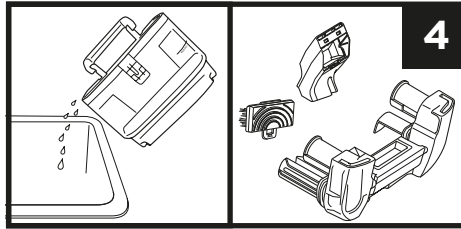
2

2. Clean the float and make sure it can move freely. Remove the filter from the unit and rinse if needed.



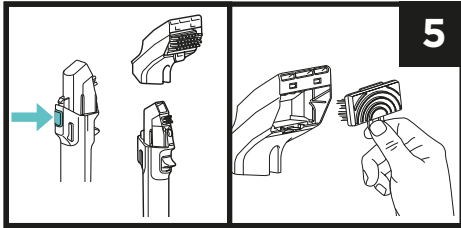
3

3. Remove the basket by pulling up on the handle. Over a bin, squeeze the tabs and lift the handle to clear the basket of hair and debris.



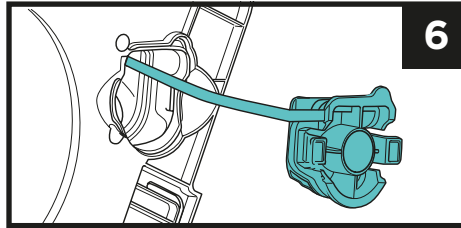
4

4. Pour away the dirty water from the tank where suitable. Rinse and clean the tank with soapy water ensuring the seals are wiped clean of debris. Allow to air dry before reinstalling.



5

5. Remove the hand tool by pressing the release button. Remove the window and bristles from the tool and rinse thoroughly.



6

6. If debris becomes lodged, clear it by opening the access door under the unit. Be sure to click the door back into place when cleared.

NOTE: Clean unit after every use to avoid the build up of odours, bacteria, and mould. Ensure the collection basket and plunger are clean and dry before re-installing in to the Dirty Water Tank.

TROUBLESHOOTING

Problem	Solution
Inconsistent spray or no spray	Ensure there is cleaning solution in both of the solution tanks. Make sure the Deep Clean Pro Tank is installed correctly. Make sure the unit is plugged in and the power is on.
Low suction or no suction	Make sure the dirty water tank is not overfilled and is installed correctly. Check the clog access point underneath the unit and clear any debris trapped inside at the end of the hose. If a cleaning tool is attached, make sure it is connected correctly. Remove any debris from the cleaning attachments.
Unit not turning on	Make sure the unit is plugged in completely. Try a different socket. Ensure On/Off button was pressed.
Liquid leaking from unit	The dirty water tank may be overfilled. Make sure the dirty water tank and the Deep Clean Tank are both installed correctly. Make sure the float valve in the dirty water tank is not stuck. Make sure the unit is on a stable, flat surface.
Solution tanks leaking	Make sure the caps on the solution tanks are tightened fully. Make sure both tanks are installed correctly and the caps have clicked into place.
Rinse & Go/ Self-Wash is not working with a hand tool	Be sure that the tip of the clear window is fully inserted into the Self-Wash groove. If Self-Wash is still not working, rock the hand tool back and forth to improve liquid flow. Ensure there is enough liquid in the clean water tank. <i>Note: This feature is only compatible with the Integrated Crevice Tool & Tough Stain Tool.</i>
Debris is stuck in the hose	While using Rinse & Go Self-Wash, tap or shake the hose to help clear debris.

CLEANING FORMULAS



Shark Deep Clean Pet
Deep carpet cleaning
Pet formula for removing
dirt & grime.



Shark OXY Multiplier
Tough stain eliminating
formula for those stubborn
stains & odours.



To order refills and explore our complete solution range, scan the QR code.

TECHNICAL SPECIFICATIONS

PX250 Series: 220V - 240V, 60 Hz, 450W

RECORD THIS INFORMATION

Model Number: _____

Date of Purchase: _____
(Keep receipt)

Store of Purchase: _____

©2024 SharkNinja Operating LLC.

SharkNinja Europe Limited, 1st/2nd Floor Building 3150, Thorpe Park, Century Way, Leeds, England, LS15 8ZB
sharkclean.co.uk

SharkNinja Germany GmbH, Rotfeder-Ring 9, 60327 Frankfurt am Main, Germany

SHARK and STAINSTRIKER are registered trademarks in the United Kingdom of SharkNinja Operating LLC. Illustrations may differ from actual product.

SHARK and STAINSTRIKER are registered trademarks in the United Kingdom of SharkNinja Operating LLC.

**SharkNinja Europe Limited,
1st/2nd Floor Building 3150,
Thorpe Park, Century Way,
Leeds, England, LS15 8ZB
+44 (0)800 862 0453
www.sharkclean.co.uk**

**SharkNinja Germany GmbH,
Rotfeder-Ring 9,
60327 Frankfurt am Main,
Germany
www.sharkclean.co.uk**

