



Shark Cordless Detect Auto-Empty System IW4000 Series IMPORTANT SAFETY INSTRUCTIONS

WARNING: TO REDUCE THE RISK OF INJURY, USER MUST READ INSTRUCTION MANUAL • HOUSEHOLD USE ONLY

WARNING When using an electrical appliance, to reduce the risk of fire, electric shock, injury, or property damage, basic precautions should always be followed, including the following:

- 1** This vacuum consists of a motorised nozzle, wand, and handheld vacuum. These components contain electrical connections, electrical wiring, and moving parts that potentially present risk to the user.
- 2** Before each use, carefully inspect all parts for any damage. If a part is damaged, discontinue use.
- 3** Use only identical replacement parts.
- 4** This vacuum contains no serviceable parts.
- 5** Use only as described in this manual.
DO NOT use the vacuum for any purpose other than those described in this manual.
- 6** With the exception of the filters and dust cup, **DO NOT** expose any parts of the vacuum to water or other liquids.
- 7** **DO NOT** allow the appliance to be used by children. Keep the appliance and its cord out of reach of children. Do not allow to be used as a toy. Close supervision is necessary when used near children.

GENERAL USE

- 8** This appliance can be used by persons with reduced physical, sensory or mental capabilities or lack of experience and knowledge if they have been given supervision or instruction concerning use of the appliance in a safe way and understand the hazards involved. Cleaning and user maintenance should not be done by children.
- 9** Always turn off the vacuum before connecting or disconnecting any current carrying hoses, motorised nozzles, chargers, batteries, or other electrical or mechanical parts.
- 10** **DO NOT** handle plug or vacuum with wet hands.
- 11** **DO NOT** use without dust cup, filters, and brush-roll in place.
- 12** Only use Shark branded filters and accessories. Damage caused by non-Shark filters and accessories may not be covered by the guarantee.
- 13** **DO NOT** put any objects into nozzle or accessory openings. **DO NOT** use with any opening blocked; keep free of dust, lint, hair, and anything that may reduce airflow.
- 14** **DO NOT** use if nozzle or accessory airflow is restricted. If the air paths or the motorised floor nozzle become blocked, turn the vacuum off. Remove all obstructions before you turn on the unit again.
- 15** Keep nozzle and all vacuum openings away from hair, face, fingers, uncovered feet, or loose clothing.
- 16** **DO NOT** use if vacuum is not working as it should, or has been dropped, damaged, left outdoors, or dropped into water. Use extra care when cleaning on stairs.
- 17** **DO NOT** leave the vacuum unattended while powered on.
- 19** When powered on, keep the vacuum moving over the carpet surface at all times to avoid damaging the carpet fibres.
- 20** If you have delicate or wool carpets, particularly loop pile, please try the vacuum on a hidden area first to ensure the spinning brush-rolls do not damage or unpick carpet fibres.
- 21** **DO NOT** use to pick up:
 - a)** Liquids
 - b)** Large objects
 - c)** Hard or sharp objects (glass, nails, screws, or coins)
 - d)** Large quantities of dust (including drywall, fireplace ash, or embers). **DO NOT** use as an attachment to power tools for dust collection.
 - e)** Smoking or burning objects (hot coals, cigarette butts, or matches)
 - f)** Flammable or combustible materials (lighter fluid, petrol, or kerosene)
 - g)** Toxic materials (chlorine bleach, ammonia, or drain cleaner)
- 22** **DO NOT** use in the following areas:
 - a)** Poorly lit areas
 - b)** Wet or damp surfaces
 - c)** Outdoor areas
 - d)** Spaces that are enclosed and may contain explosive or toxic fumes or vapours (lighter fluid, petrol, kerosene, paint, paint thinners, mothproofing substances, or flammable dust)
- 23** Turn off the vacuum before plugging in or unplugging the charger.
- 24** Turn off the vacuum before any adjustment, cleaning, maintenance or troubleshooting.
- 25** During cleaning or routine maintenance, **DO NOT** cut anything other than hair, fibres, or string wrapped around the brush-roll.
- 26** Allow all filters to air-dry completely before replacing in the vacuum to prevent liquid from being drawn into electric parts.

- 27** **DO NOT** modify or attempt to repair the vacuum or the battery yourself, except as indicated in this manual.
DO NOT use the battery or vacuum if it has been modified or damaged. Damaged or modified batteries may exhibit unpredictable behavior resulting in fire, explosion or risk of injury.
- 28** Turn off all controls before unplugging.
- 29** Always turn off this appliance before connecting or disconnecting motorised nozzle or hand tool.
- 30** If the supply cord is damaged, it must be replaced by the manufacturer, its service agent or similarly qualified persons in order to avoid a hazard.

BATTERY PACK

- 31** The battery is the power source for the vacuum. Carefully read and follow all charging instructions.
- 32** To prevent unintentional starting, ensure the vacuum is powered off before picking up or carrying the vacuum. **DO NOT** carry the appliance with your finger on the power switch.
- 33** Use only the XDCKBU3000LUK charging dock and chargers DK18-220080HS-B or YLS0251A-U220080. Use of incorrect charger may result in no charging and/or unsafe conditions. For IW4000 Series use only with Shark battery pack XBTR540DCEU.
- 34** Keep the battery away from all metal objects such as paper clips, coins, keys, nails, or screws. Shorting the battery terminals increases the risk of fire or burns.
- 35** Under abusive conditions, liquid may be ejected from the battery. Avoid contact with this liquid, as it may cause irritation or burns. If contact occurs, flush with water. If liquid contacts eyes, seek medical help.
- 36** Battery should not be stored at temperatures below 3°C (37.4°F) or above 40°C (104°F) to maintain long-term battery life.
- 37** **DO NOT** charge battery at temperatures below 5°C (40°F) or above 40°C (104°F). Charging improperly or at temperatures outside of the specified range may damage the battery and increase the risk of fire.
- 38** Store the appliance indoors. **DO NOT** use or store it below 3°C (37.4°F). Ensure the appliance is at room temperature before operating.
- 39** **DO NOT** expose the battery to fire or temperatures above 130°C (265°F) as it may cause explosion.
- 40** Use appliances only with specifically designated battery packs. Use of any other battery packs may create a risk of injury and fire.
- 41** Disconnect the battery pack from the appliance before making any adjustments, changing accessories, or storing appliance. Such preventive safety measures reduce the risk of starting the appliance accidentally.
- 42** During charging, the battery must be placed in a well-ventilated area.

SharkNinja Europe Ltd,
1st/2nd Floor Building 3150,
Thorpe Park, Century Way,
Leeds, England, LS15 8ZB

SharkNinja Germany GmbH,
Rotfeder-Ring 9,
60327 Frankfurt am Main,
Germany

PLEASE READ CAREFULLY AND KEEP FOR FUTURE REFERENCE.

This Owner's Guide is designed to help you get a complete understanding of your new Shark vacuum.

Illustrations may differ from actual product. We are constantly striving to improve our products; therefore the specifications contained herein are subject to change without notice.

© 2024 SharkNinja Operating LLC. FLOOR DETECT, FLEXOLOGY and SHARK are registered trademarks of SharkNinja Operating LLC in the United Kingdom.

IW4000UKSeries_QSG_MP_240729_MV1
PRINTED IN CHINA

READ AND SAVE THESE INSTRUCTIONS

visit <https://qr.sharkclean.com/IW4000UKSERIES> or
SCAN HERE USING YOUR SMARTPHONE CAMERA



FOR FULL INSTRUCTIONS, GUARANTEES
AND REPLACEMENT PARTS.

Please be sure to read and save the warnings on other side prior to using your unit.

QUICK START GUIDE

How to set up the IW4000 Series
Shark Cordless Detect Auto-Empty System.

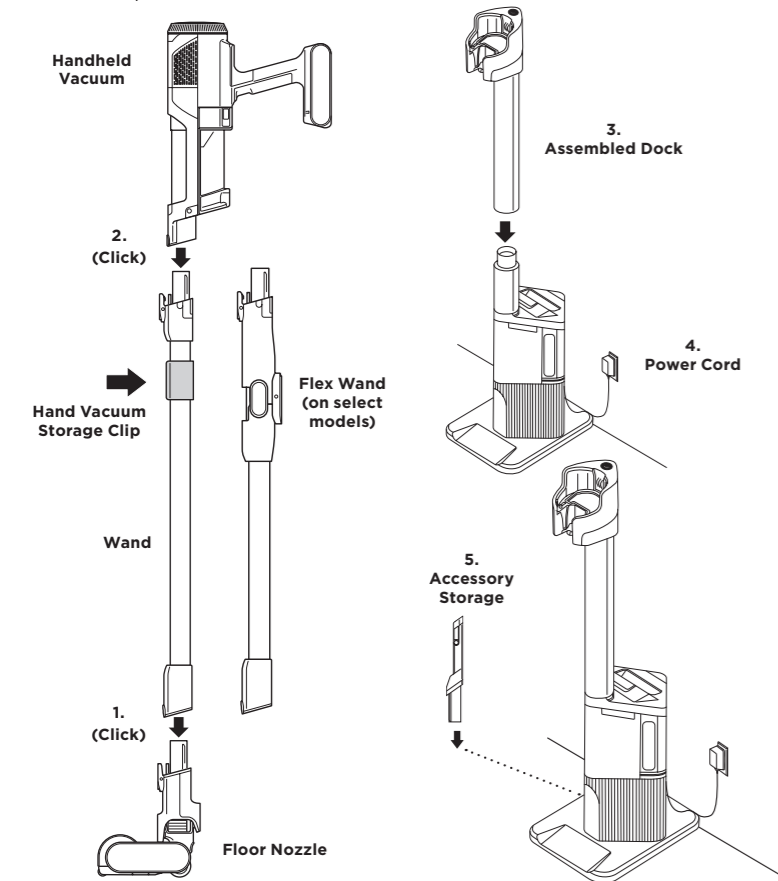


Shark NINJA

MANUFACTURER'S GUARANTEE

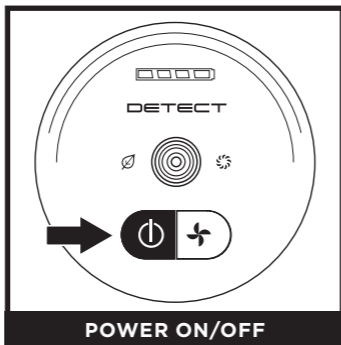
ASSEMBLY

- Slide the **Wand** onto the neck of the **Floor Nozzle** until it clicks into place.
 - Align the **Hand Vacuum** nozzle opening with the top of the wand and slide it on until it clicks into place.
 - Make sure the **Dock** is facing upright. Slide the **Charging Post** into the slot on front of dock until it clicks.
 - Place the dock on the floor near a wall outlet. Plug the **Power Cord** into the outlet, then connect the cord to the port on the back of the charging post.
 - Store the crevice tool accessory on the mount on the dock.
- For proper operation, ensure all components are completely connected and clicked into place.

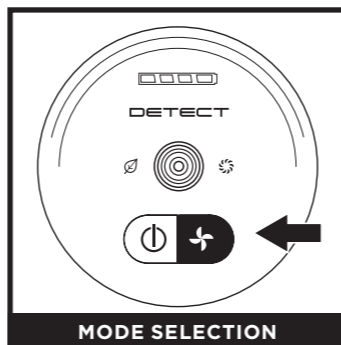


NOTE: The main unit comes with a partial charge. For maximum runtime, charge fully before first use (approximately 6.5 hours). Leaving the unit plugged in will not damage battery life.

SETTINGS

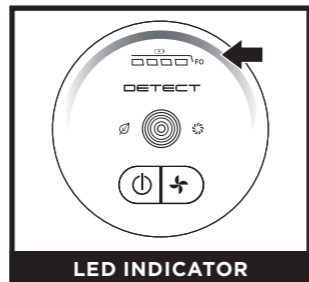


Press the **On/Off** button on the handle to turn on power. To turn off power, press the button again.



To toggle between ECO, AUTO, and BOOST modes, press the mode selection button.

MODES EXPLAINED



When the LED indicator light is blue, this means no heavy dirt levels are detected and suction power is normal. When the vacuum senses heavy dirt, the light will turn red, and suction power will increase for more cleaning power. When the indicator light turns amber, debris is being removed. Continue cleaning until the indicator turns blue again.

ECO mode: Vacuum runs on the lowest power setting to preserve battery life. Auto Mode technology is NOT activated.

BOOST mode: Vacuum runs at maximum power for the highest possible suction level. Auto Mode technology is NOT activated.

AUTO MODE

In this mode, all of the following technology is automatically activated:

DirtDetect: Identifies dirtier high-traffic areas and automatically boosts suction power to pull in hidden dirt.

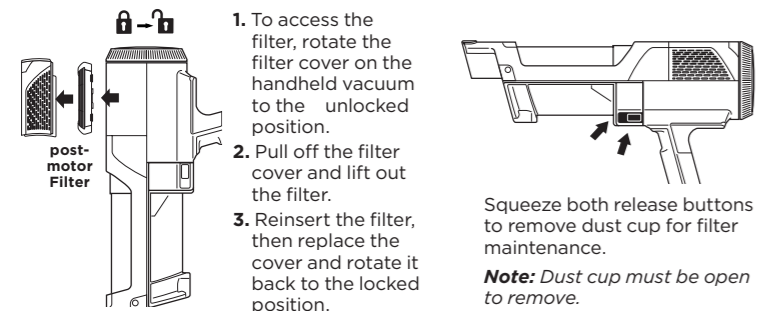
FloorDetect: Brush-roll responds to surface changes and automatically adjusts to optimize your clean.

EdgeDetect: Dynamically detects edges and corners and maximises suction to remove stubborn dirt.

LightDetect: Senses low-light situations and automatically illuminates dark areas to help you spot debris.

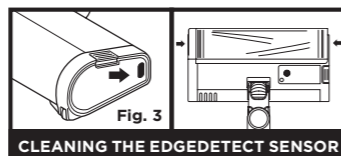
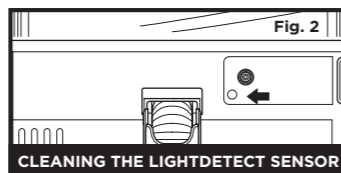
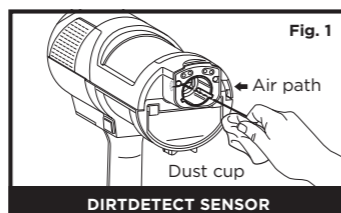
CLEANING THE FILTERS

Regularly rinse and replace the filters to maintain your vacuum's suction power. To clean filters, rinse them with water only. **Allow all filters to air-dry completely for up to 48 hours before reinstalling to prevent liquid from being drawn into electric parts.** Clean the pre-motor filters at least once a month and post-motor filter at least once a year. Tap off loose dirt between washes when needed. More frequent cleaning may sometimes be necessary with heavy use. Please refer to the Owner's Guide for more information on filter maintenance.



IMPORTANT: DO NOT use soap when cleaning the filters. Use water only. The vacuum will not have suction if the post-motor filter is not installed. Ensure that all filters are installed before using.

CLEANING THE SENSORS



Make sure to clean the sensors regularly, as hair and other debris may build up and obstruct them. If the sensors are partially obstructed, Auto mode will not function as expected.

To clean the sensors:

- Turn off power and remove the floor nozzle and wand.
- Locate the DirtDetect Sensor in the nozzle of the hand vac (Fig. 1), the LightDetect Sensor on the top of the nozzle (Fig. 2), and the EdgeDetect sensor on the side of the nozzle (Fig. 3).
- Gently wipe the sensors with a microfibre cloth and remove all hair and debris.
- Reattach the floor nozzle and wand to the rest of the unit and turn on power. Verify that the unit is functioning normally.

The Shark Guarantee

When a consumer buys a product in the UK, they get the benefit of legal rights relating to the quality of the product (your "legal rights"). You can enforce your legal rights against your retailer, including Shark if you bought your appliance from sharkclean.co.uk. However, at Shark we are so confident about the quality of our products that we give the owner an additional, free parts and labour manufacturer's guarantee of up to 5 years (2 years for batteries).

The guarantee it comes with is an important consideration - and reflects how much confidence the manufacturer has in its product and manufacturing quality. The manufacturer's guarantee does not affect your legal rights.

How long are new Shark machines guaranteed for?

Our manufacturer's guarantee lasts for one year from the date of purchase as standard, or for five years (two years for batteries) if you register your purchase with us within 28 days.

How do I register my Shark guarantee?

If you have purchased your Shark appliance directly from sharkclean.co.uk your guarantee is registered automatically. If you bought it from anywhere else in the UK, you can register your guarantee online within 28 days of purchase.

- To register online, please visit sharkclean.co.uk/register-guarantee or scan the QR code in your instruction booklet.
- Keep a note of the date you purchased the machine.

IMPORTANT:

- Keep your receipt if you bought your Shark appliance from anywhere except sharkclean.co.uk. You will need it to claim under your guarantee.
- The free Shark guarantee only applies in the UK.

What are the benefits of registering my free Shark guarantee?

When you register your guarantee, you will get an extra four years of cover (extra one year for batteries). We'll also have your details to hand if we ever need to get in touch. If you further agree to receive communications from us, you can also receive tips and advice on how to get the best out of your Shark appliance and hear the latest news about new Shark technology and launches.

What is covered by the free Shark guarantee?

Repair or replacement (at Shark's discretion) of your Shark machine, including all parts and labour.

What is not covered by the free Shark guarantee?

- Normal wear and tear.
- Accidental damage or faults caused by negligent use or care, misuse, neglect, careless operation or handling of the Shark appliance which is not in accordance with the Shark Operating Manual supplied with your machine.
- Damage caused by use of the Shark appliance for anything other than normal domestic household purposes.
- Damage caused by use of parts not assembled or installed in accordance with the operating instructions.
- Damage caused by use of parts and accessories which are not Shark Genuine Components
- Faulty installation (except where installed by Shark).
- Repairs or alterations carried out by parties other than Shark or its agents.

How can I claim under the free Shark guarantee?

Contact our customer service helpline on 0800 862 0453. For service hours please visit our website under 'Contact Us'. It's free to call, and you'll be put straight through to a Shark representative. You'll also find online support at support.sharkclean.co.uk. The Shark representative will go through some troubleshooting with you, and if we conclude that the item has failed, we will send you a replacement part or a returns label to send the defective item back to us free of charge. When you have delivered the defective product to us, we will send you a replacement.

Please remember that the item will need to be boxed when you return it to us. It can be any suitable box, it does not have to be the original packaging.

Where can I buy genuine Shark spares and accessories?

Shark spares and accessories are developed by the same engineers who developed your Shark appliance. You'll find a full range of Shark spares, replacement parts and accessories for all Shark machines at sharkclean.co.uk. Please remember that damage caused by the use of non-Shark spares may not be covered under your guarantee.