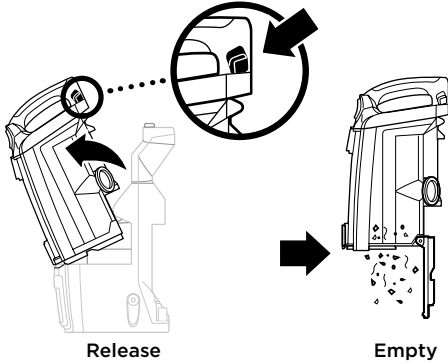


# MAINTENANCE

## Empty dust cup after each use



### TIP:

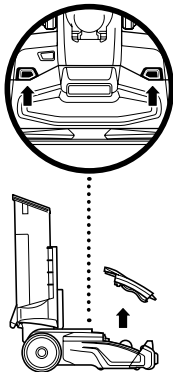
Wash filters to keep the suction strong.

Rinse filters and allow to air-dry completely. Tap loose dirt from foam filters as needed between washes.

See enclosed Owner's Guide for complete details on removing and cleaning filters.

## Access brushroll and Soft Roller

Open the brushroll garage by pressing the release buttons. To close, insert the tabs on the lid into the slots on the nozzle then press down at the back.



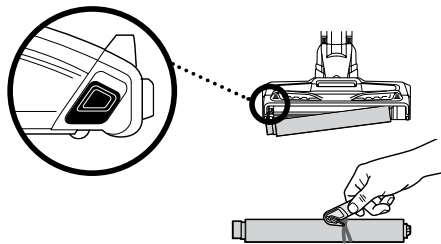
## Brushroll Maintenance

Run the hair removal tool along the guide on the brushroll to remove any sting hair or debris.



## Soft Roller Maintenance

Slide the Soft Roller access button up to remove the soft roller. Clear away any debris, then slide the Soft Roller back into place.



# Shark

For questions or to register your product, contact us at  
0800 862 0453 or visit us online at [sharkclean.eu](http://sharkclean.eu)



@sharkcleanUK

Please be sure to read the enclosed Shark® Owner's Guide prior to using your vacuum.

duo clean™

# Shark®

## DUO CLEAN POWERED LIFT-AWAY™

### QUICK START GUIDE

Use this Quick Start Guide to start using your new vacuum's great features.

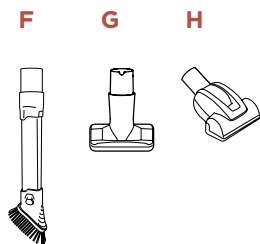
Register your vacuum at  
[registtermyspark.co.uk](http://registtermyspark.co.uk)

**NV801UK SERIES**

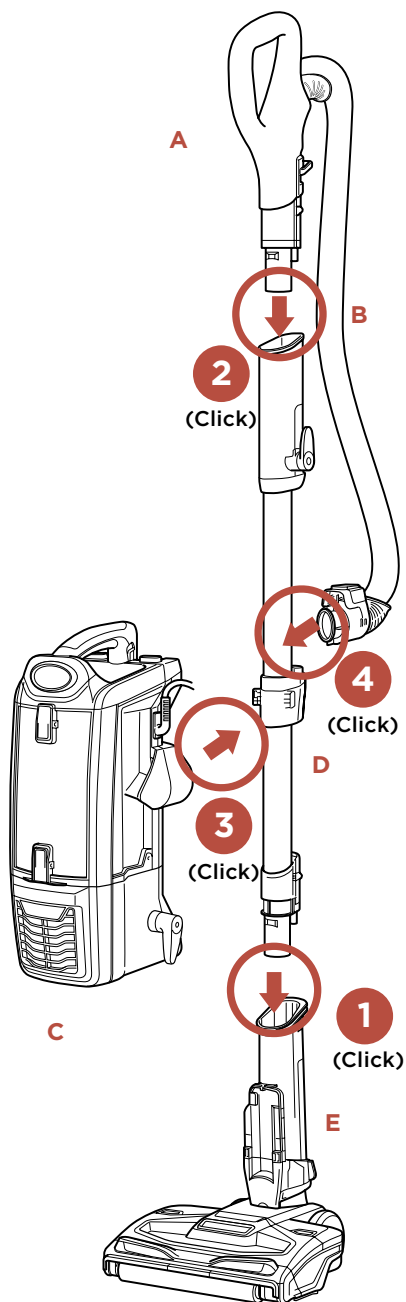


## WHAT'S INSIDE:

- A** Handle
- B** Hose
- C** Vacuum Pod
- D** Wand
- E** DuoClean™ Floor Nozzle
- F** Duster Crevice Tool
- G** Upholstery Tool
- H** Pet Power Brush



## ASSEMBLY



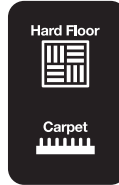
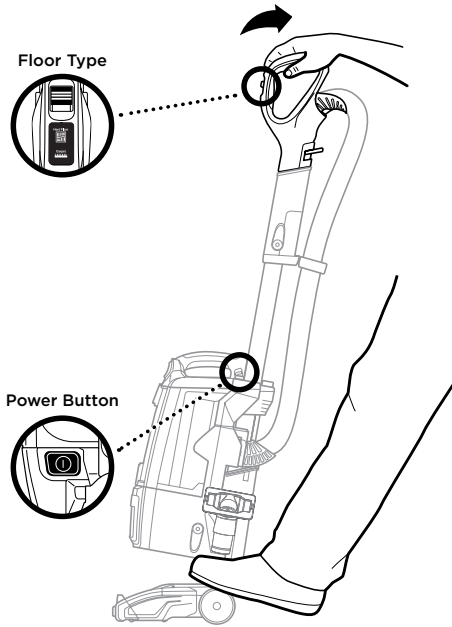
1. Insert wand into floor nozzle.
2. Insert handle into wand.
3. Place pod onto wand.  
Slide down to connect.
4. Press hose into back of pod.

The top flap of your box shows the select accessories that included with your model.  
For complete instructions, see the enclosed Owner's Guide.  
For additional parts and accessories, visit [sharkclean.eu](http://sharkclean.eu)

# VERSATILE FLOOR-TO-CEILING CLEANING

## Upright Mode

Place your foot gently on the floor nozzle and tilt the handle back. Choose floor type and press power button.

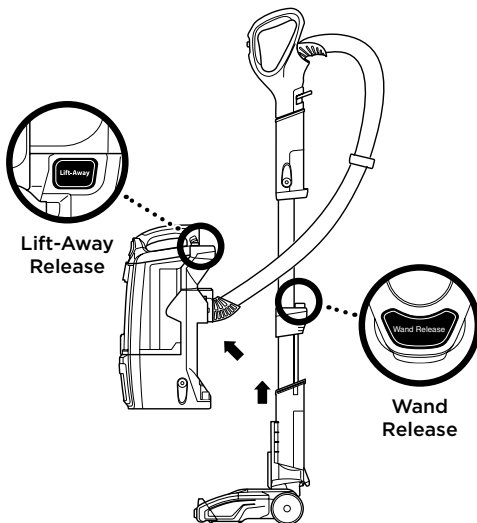


**Hard Floor:** Direct engagement with the Soft Roll removes large particles, small particles and stuck-on dust.

**Carpet:** The soft roller pulls in large particles while the deep-cleaning bristle brush removes the embedded fine dirt

## Powered Lift-Away® Mode

Press Lift-Away Release button to lift pod off wand to clean hard-to-reach places.



Attach any of the specialised cleaning accessories to the handle or wand.

