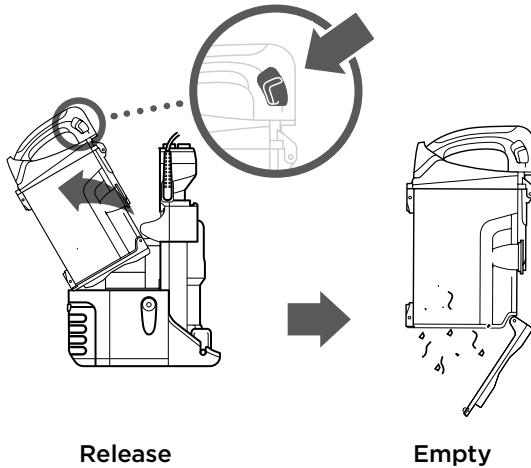


# MAINTENANCE

## Empty dust cup after each use



Release

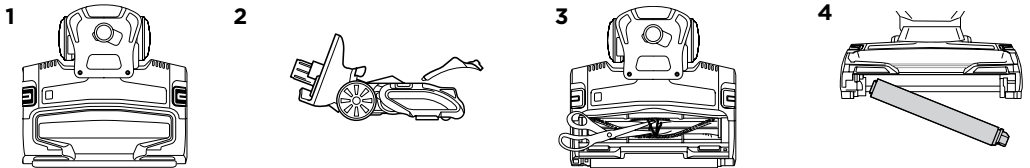
Empty

### TIP:

Wash filters every 3 months to keep the suction strong. See Owner's Guide for instructions.

## Easy brushroll access

To open garage, slide back both access buttons, then lift off brushroll lid. Lift out Soft Roller by the PULL tab. Clear debris from Soft Roller and brushroll.



To close, insert the tabs on the lid into the slots, then press down on both sides of the lid until it clicks into place. Both sides must be completely closed for vacuum to operate properly.

# Shark

To register your product visit [registermyshark.com](http://registermyshark.com)

Please be sure to read the enclosed Shark® Instructions prior to using your unit.

# Shark®

## DUOCLEAN™ LIFT-AWAY™

### NV700UK Series

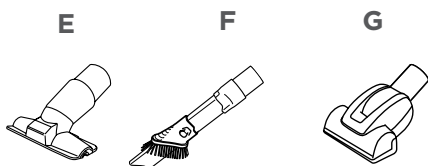
## QUICK START GUIDE

Use this Quick Start Guide  
to learn about your new  
vacuum's great features.

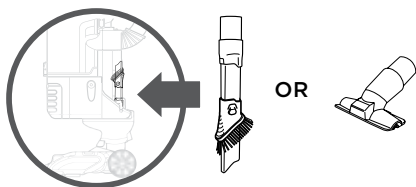


## WHAT'S INSIDE:

- A Vacuum Pod
- B Motorised Floor Nozzle
- C Handle & Hose
- D Wand
- E Upholstery Tool
- F Duster Crevice Tool
- G Pet Power Brush (Select models only)



### Attach onboard accessories



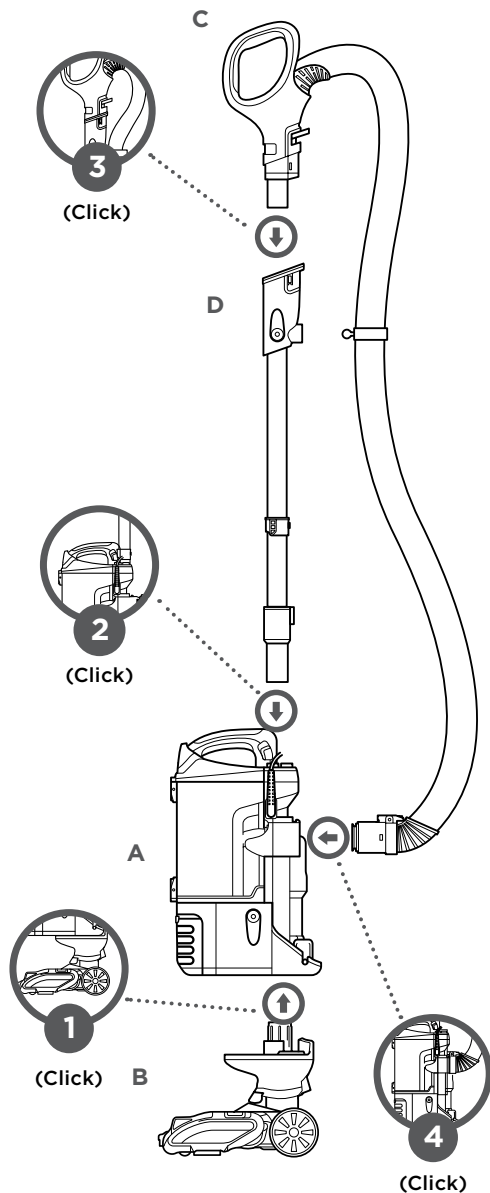
For complete maintenance instructions, see the enclosed **Instructions**.

For additional parts and accessories, visit [sharkclean.eu](http://sharkclean.eu)

The top flap of your box shows the select accessories that are included with your model.

## ASSEMBLY

1. Attach vacuum pod to floor nozzle.
2. Insert wand into pod.
3. Insert handle and hose into wand.
4. Press hose into back of pod.



# 2 WAYS TO CLEAN:

1

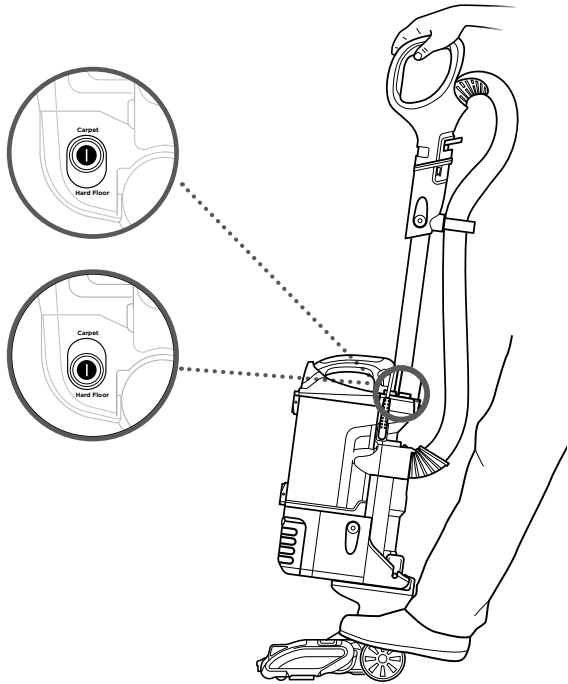
## UPRIGHT

### Power

Press the Power/Surface Selector button to turn the vacuum on or off.

### Floor Setting

Slide the Power/Surface Selector button up or down to choose floor type.



2

## LIFT-AWAY

