

Please be sure to read the enclosed Shark® instructions prior to using your unit.

duo clean

ANTI HAIR WRAP

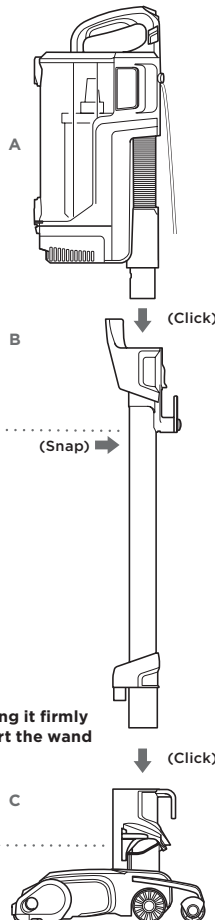
Shark

DUOCLEAN® CORDED STICK VACUUM WITH ANTI HAIR WRAP TECHNOLOGY

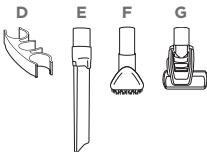
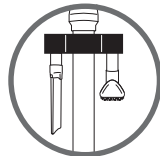
QUICK START GUIDE

ASSEMBLY

- A Lift-Away® Pod
- B Wand
- C Floor Nozzle
- D Accessory Holder
- E 20cm Crevice Tool
- F Dusting Brush
- G Pet Turbo Brush (Certain Models Only)



Attach the accessory holder (D) onto the wand and place accessories on the holder.



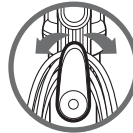
Lift the floor nozzle tube, pushing it firmly until it stands upright, then insert the wand into the tube.



NOTE: For proper operation, ensure all parts are firmly **CLICKED** into place.

HZ400UK_Series_QSG_MP_190611_Mv1

TIPS



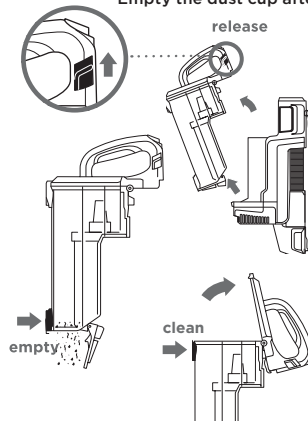
When storing, wrap cord around cord hooks. For quick cord access, rotate upper hook down and remove cord.



When the vacuum is placed in the upright position, the retractable wheels will extend so the vacuum can stand up on its own.

EMPTYING THE DUST CUP

Empty the dust cup after each use.



MAINTENANCE: Rinse pre-motor filters every month and HEPA filter once a year. Rinse with cold water only. Allow filters to air-dry completely before reinstalling.

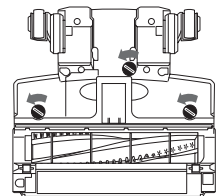
See enclosed instructions for more information on how to clean and replace the filters.

BRUSHROLL MAINTENANCE

Brushroll access

The self-cleaning brushroll automatically removes hair wrap. If some hair or debris remains after continued use, remove the cover to access the brushroll. Use a coin to turn the locks counterclockwise, then lift off the cover. Remove any debris or hair wrap and clear the debris intake.

To close, push down the cover until it clicks into place, then turn the locks clockwise.



Soft Roller

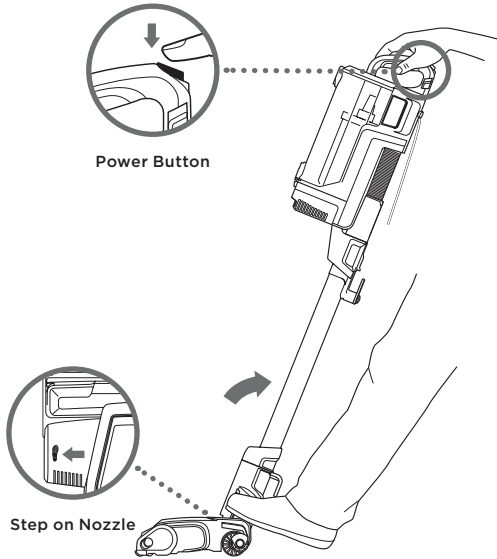
Slide the button on the floor nozzle to eject the Soft Roller. Tap off debris and wipe the roller clean with a dry towel.



VERSATILE FLOOR-TO-CEILING CLEANING

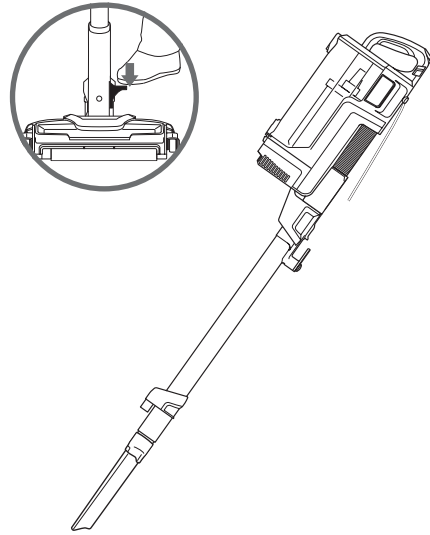
UPRIGHT

Step on the footprint icon on the floor nozzle and tilt the handle back, then press the power button on the back of the handle.



ABOVE-FLOOR WITH WAND

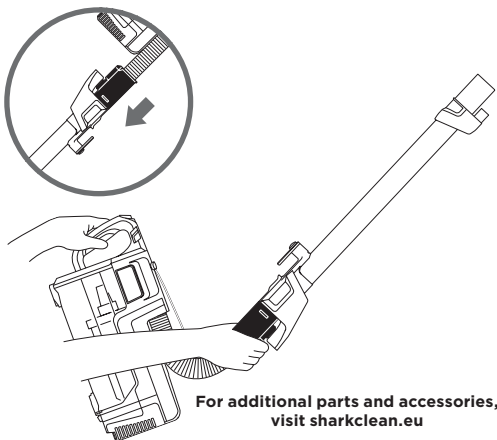
For more reach, detach the wand and add an accessory. Step on the wand release pedal and lift the handle.



WAND WITH EXTENDED HOSE

For even more flexibility with the wand, slide the hose cuff down to extend the integrated hose.

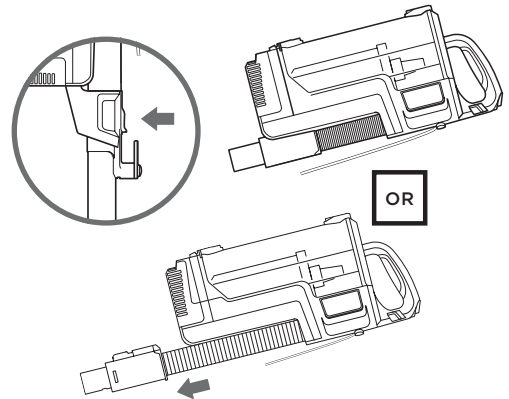
NOTE: When finished with the hose, slide the hose cuff back into place while reattaching the wand to the pod.



LIFT-AWAY® POD WITH HOSE

To clean with the Lift-Away pod, detach it by pressing the Pod Release button. Attach an accessory for more reach. For added flexibility, slide the cuff down to extend the hose. To reattach the hose, slide the hose cuff back into place.

NOTE: During reassembly, ensure the hose is clicked securely into place before attaching the wand.



For questions or to register your product, contact us at 0800 862 0453 visit us online at sharkclean.eu

 @sharkcleaninguk

 @sharkcleanuk

 @sharkcleanuk

©2019 SharkNinja Operating LLC. All rights reserved. Made in China.

SHARK, DUOCLEAN and LIFT-AWAY are registered trademarks of SharkNinja Operating LLC.