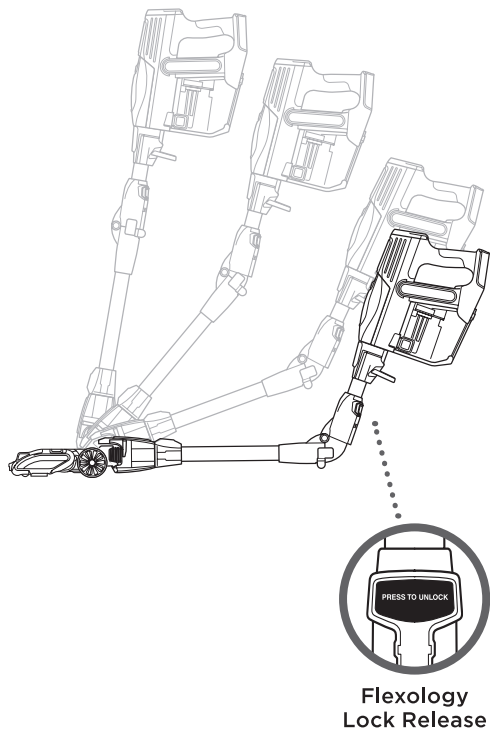


FLEXOLOGY®

REACH ANYWHERE

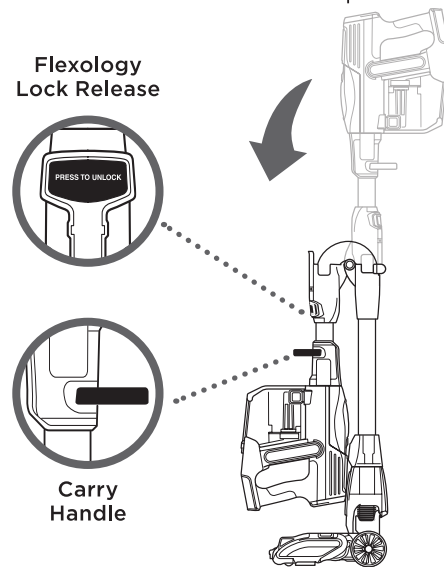
Easily access hard-to-reach areas under furniture. Press the Flexology Lock Release button to lower the angle of the wand to increase your reach.



STORE ANYWHERE

To store, press the Lock Release button and hold it down while folding the handheld vacuum forward, until the unit locks in storage mode. Use the handle to carry the vacuum to its storage location.

To take the vacuum out of storage mode, press the Flexology Lock Release button while lifting up the handheld vacuum. The wand will lock in place.



Please make sure to read the enclosed Shark® Instructions prior to using your vacuum

duo clean®

Shark.

CORDLESS STICK VACUUM
with FLEXOLOGY®

QUICK START GUIDE

Use this Quick Start Guide
to learn about your new
vacuum's great features.



Shark

For questions or to register your product, contact us at
0800 862 0453 or visit us online at sharkclean.eu

 @sharkcleaninguk

 @sharkcleanuk

 @sharkcleanuk

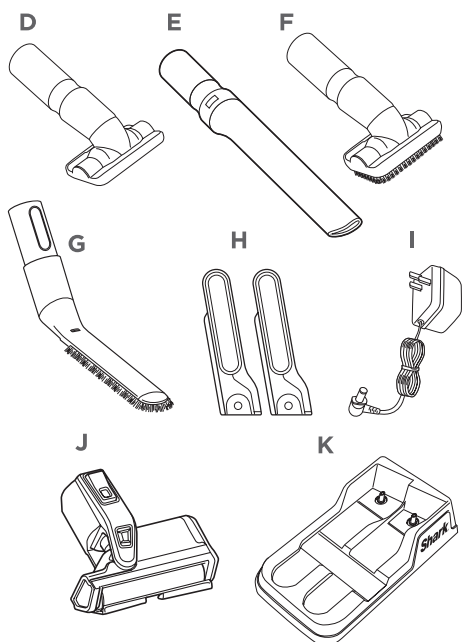
IF130UKTH_IF260UKTH_Series_QSG_MP_181119_BOOST_MM

©2018 SharkNinja Operating LLC. SHARK, DUO CLEAN and FLEXOLOGY are registered trademarks of SharkNinja Operating LLC.

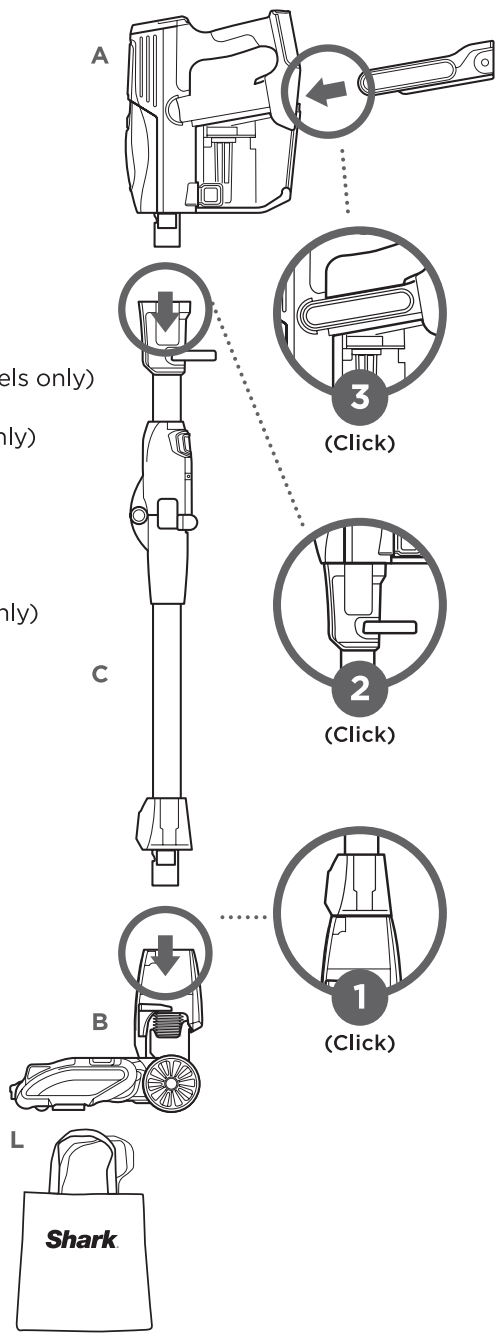
IF130UK AND IF260UK SERIES

WHAT'S INSIDE:

- A** Handheld Vacuum
- B** Motorised Floor Nozzle
- C** Flexology Wand
- D** Upholstery Tool
- E** Crevice Tool
- F** Dusting Brush
- G** Anti-Allergen Dusting Brush (Certain Models only)
- H** 2x Lithium-Ion Battery (Certain Models only)
- I** LITHIUM-ION Power Pack Charger
- J** Motorised Pet Brush
- K** Double Charging Dock (Certain Models only)
- L** Accessory Bag



ASSEMBLY



SMART RESPONSE TECHNOLOGY

Press the Surface Settings button to switch floor types. Press the Suction Settings button to intelligently switch between EXTENDED RUNTIME and BOOST.

Surface Settings

CARPET

For carpets.

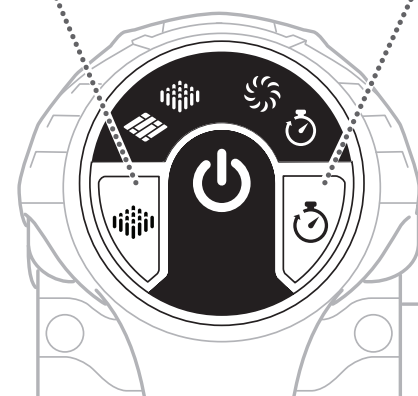
HARD FLOORS

For hard floors and small area rugs.

Suction Settings

ION POWER
For everyday cleaning.

ION BOOST
Press for a timed 1-minute boost of increased suction for high-traffic areas and heavy messes.



LITHIUM-ION POWER PACK

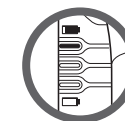
In Use



Charging



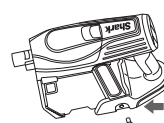
NOTE: Full charge takes approximately 3.5 hours.



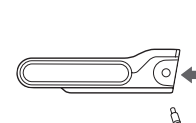
Battery Indicator Lights

NOTE: LITHIUM-ION Power Pack comes with a partial charge. Fully charge prior to first use and then completely discharge to condition the pack.

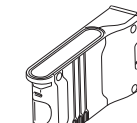
VERSATILE CHARGING



IN THE VACUUM



OUT OF THE VACUUM

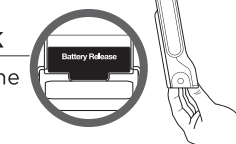


IN AVAILABLE CHARGING DOCK (certain models only)



Easily Insert or Remove the LITHIUM-ION Power Pack

To insert, slide the LITHIUM-ION Power Pack into the slot in the back of the hand vac. To remove, press and hold the release tab then slide out the LITHIUM-ION Power Pack.



For additional parts and accessories, visit sharkclean.eu

The top flap of your box shows the select accessories that are included in your model.