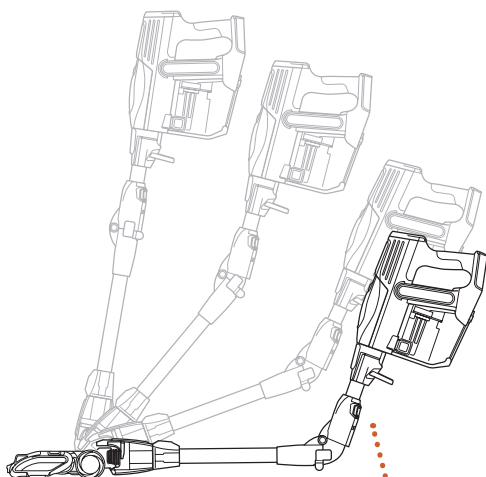




FLEXOLOGY

REACH ANYWHERE

Easily access hard-to-reach areas under furniture. Press the Flexology Lock Release button to lower the angle of the wand to increase your reach.



Flexology
Lock Release

STORE ANYWHERE

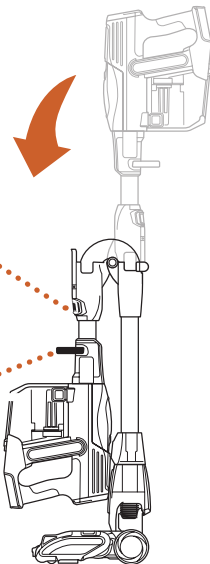
To store, press the Lock Release button and hold it down while folding the handheld vacuum forward, until the unit locks in storage mode. Use the handle to carry the vacuum to its storage location.

To take the vacuum out of storage mode, press the Flexology Lock Release button while lifting up the handheld vacuum. The wand will lock in place.

Flexology
Lock Release



Carry
Handle



Please make sure to read the enclosed Shark® Owner's Guide prior to using your vacuum.

duo clean™

Shark.

CORDLESS STICK VACUUM
with FLEXOLOGY

QUICK START GUIDE

Use this Quick Start Guide
to learn about your new
vacuum's great features.



Shark.

For questions or to register your product, contact us at
0800 862 0453 or visit us online at sharkclean.eu

SharkNinja® Art Specifications

Project: IF250UK_QSG_170619

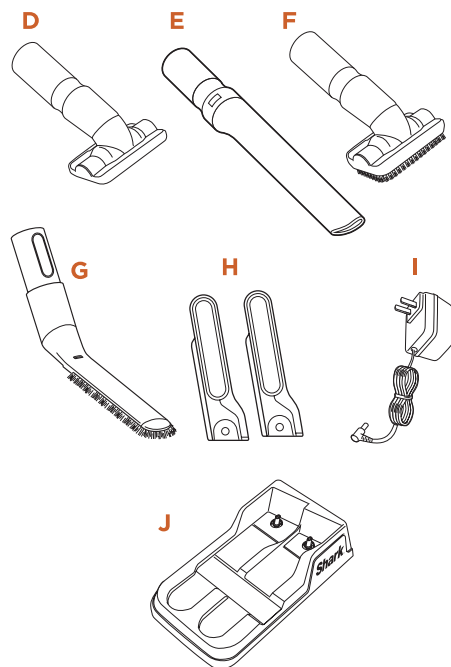
PMS 7583C K



Art Produced at 100%
UV VARNISH COATING OVER ALL

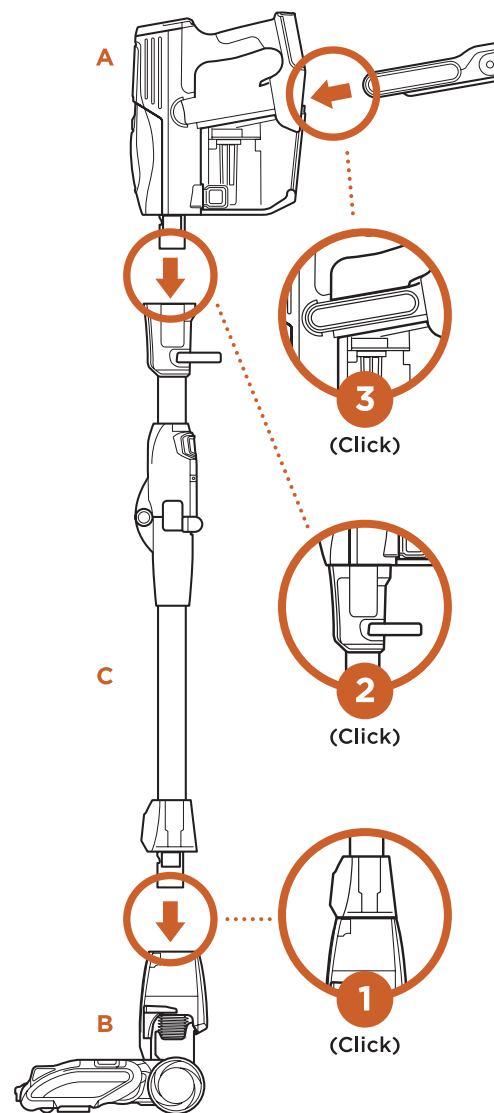
WHAT'S INSIDE:

- A** Handheld Vacuum
- B** Motorised Floor Nozzle
- C** Flexology Wand
- D** Upholstery Tool
- E** 12" Crevice Tool
- F** Dusting Brush
- G** Anti-Allergen Dusting Brush
- H** 2 x LITHIUM-ION 25.2V batteries
- I** LITHIUM-ION Power Pack Charger
- J** Double Charging Dock



For additional parts and accessories, visit sharkclean.eu

ASSEMBLY



SMART RESPONSE™ TECHNOLOGY

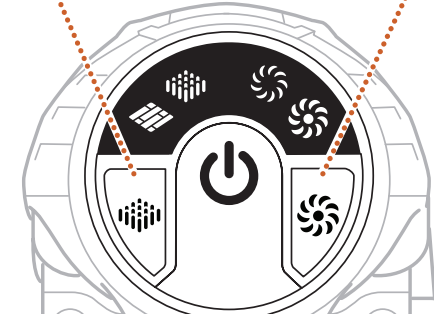
Press the Surface Settings button to switch floor types. Press the Suction Settings button to intelligently switch between EXTEND RUNTIME and MAX POWER.

Surface Settings

- CARPET** For thick pile carpets.
- HARDFLOORS** For bare floors and short pile rugs.

Suction Settings

- EXTEND RUNTIME**
For everyday cleaning.
- MAX POWER**
Maximum power for heavy-duty cleaning.



LITHIUM-ION POWER PACK

In Use



Charging



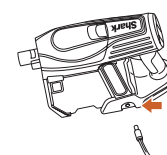
NOTE: Full charge takes approximately 3.5 hours.



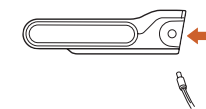
Battery Indicator Lights

NOTE: LITHIUM-ION Power Pack comes with a partial charge. Fully charge prior to first use and then completely discharge to condition the pack.

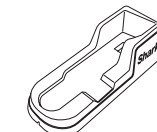
VERSATILE CHARGING



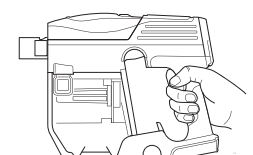
IN THE VACUUM



OUT OF THE VACUUM



IN AVAILABLE CHARGING DOCK



Easily Insert or Remove the LITHIUM-ION Power Pack

To insert, slide the LITHIUM-ION Power Pack into the slot in the back of the hand vac. To remove, pinch the release tab then slide out the LITHIUM-ION Power Pack.

