

SharkNinja® Art Specifications

Project: HV390UK_QSG_171215

Cool Gray 8c K

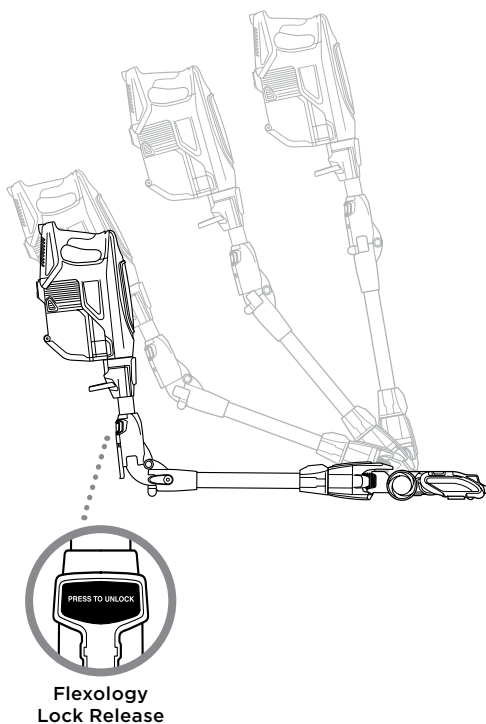


Art Produced at 100%
UV VARNISH COATING OVER ALL

FLEXOLOGY

REACH ANYWHERE

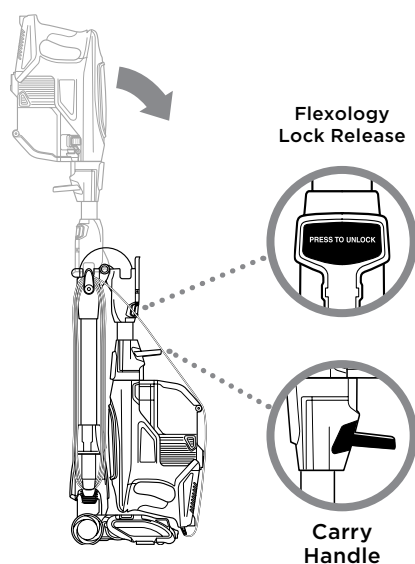
Easily access hard-to-reach areas under furniture. Press the Flexology Lock Release button to lower the angle of the wand to increase your reach.



STORE ANYWHERE

To store, wrap the cord anti-clockwise around the hooks whilst in upright mode. Then press the Flexology Lock Release and gently fold forwards.

To use the vacuum in upright mode again, unwind the cord then press the Lock Release while lifting the handheld vacuum until the wand locks into place



Please make sure to read the enclosed Shark® Owner's Guide prior to using your unit.

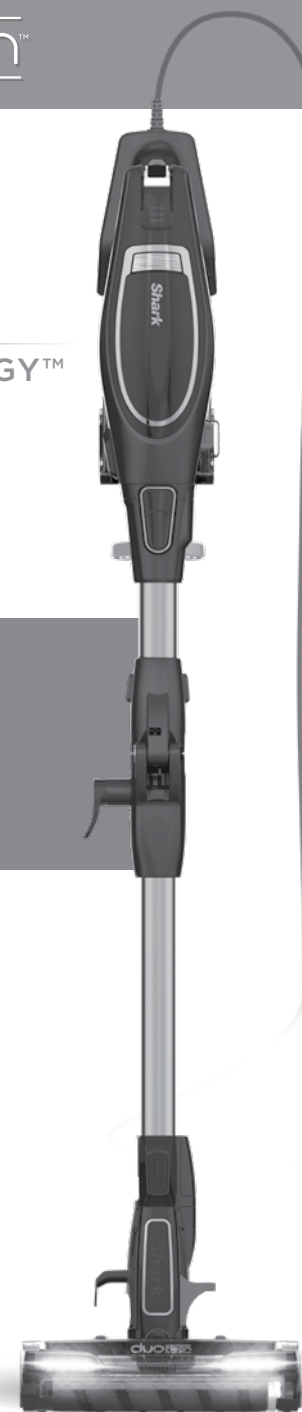
duo clean™

Shark

CORDED VACUUM WITH FLEXOLOGY™

QUICK START GUIDE

Use this Quick Start Guide
to start using your new
vacuum's great features.



Shark

For questions or to register your product, contact us on
0800 862 0453 or visit us online at sharkclean.eu

HV390UK_QSG_171215

©2017 Eruo-Pro Europe Ltd. SHARK is a registered trademark of Eruo-Pro Europe Ltd.
DUOCLEAN and FLEXOLOGY, and SHARKFLEX are trademarks of Eruo-Pro Europe Ltd.

HV390UK Series

SharkNinja® Art Specifications

Project: HV390UK_QSG_171215

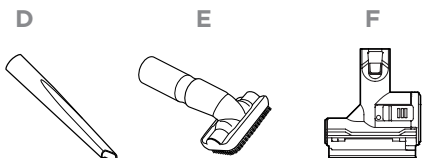
Cool Gray 8c K



Art Produced at 100%
UV VARNISH COATING OVER ALL

WHAT'S INSIDE:

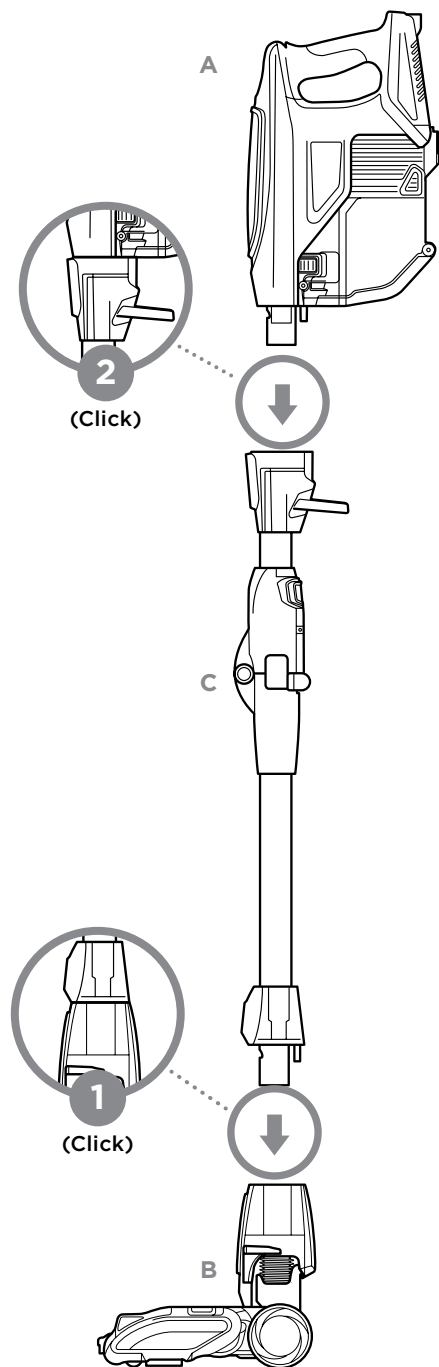
- A Handheld Vacuum
- B Motorised Floor Nozzle
- C Flexology Wand
- D Crevice Tool
- E Dusting Brush
- F Motorised pet Tool



The top flap of your box shows the select accessories that are included with your model.
For complete instructions, see enclosed Owner's Guide.

For additional parts and accessories, visit sharkclean.eu

ASSEMBLY

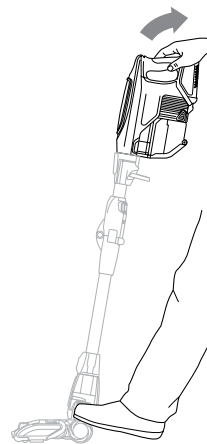


VERSATILE FLOOR-TO-CEILING CLEANING

FLOOR CLEANING

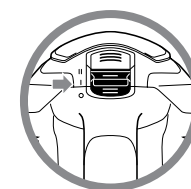
Plug in the Vacuum

Place your foot gently on the floor nozzle and tilt the handle back.

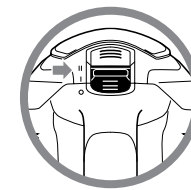


Choose Setting

Slide the power switch to appropriate speed setting (I or II) and start cleaning.

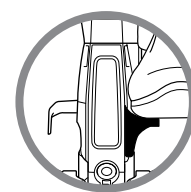


Setting I
Gentle on hard floors and delicate area rugs.



Setting II
Deep cleans carpets by removing embedded dirt.

ABOVE-FLOOR CLEANING



Floor Nozzle Release

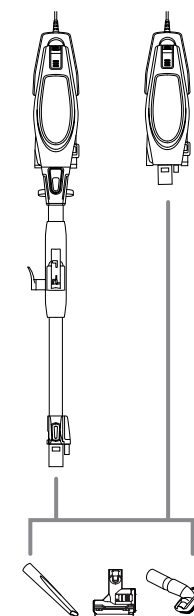
To disconnect the wand from the floor nozzle, stand the vacuum upright, step on the foot pedal, and pull the wand up.

OR



Wand Release

To detach the wand from the handheld vacuum, press the Wand Release button on the top of the wand.



NOTE: For best performance, use Setting I for all above-floor accessories.

Attach desired cleaning accessory to wand or handheld vacuum.