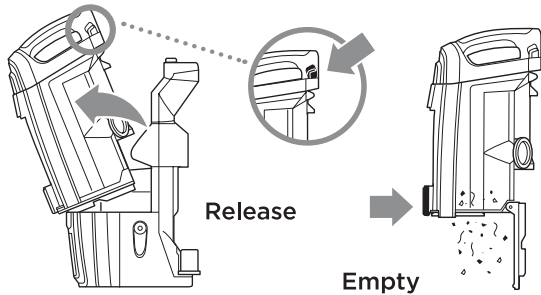


## MAINTENANCE

### Empty dust cup after each use



#### TIP:

Wash filters to keep the suction strong.

Rinse filters and allow to air-dry completely. Tap loose dirt from foam filters as needed between washes.

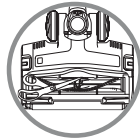
See enclosed Owner's Guide for complete details on removing and cleaning filters.

### Access brushroll and Soft Roller

Open the brushroll garage by sliding back the release buttons. To close, insert the tabs on the lid into the slots on the nozzle, then press down both sides. If the lid isn't completely closed, the headlights will flash once the unit is switched on.

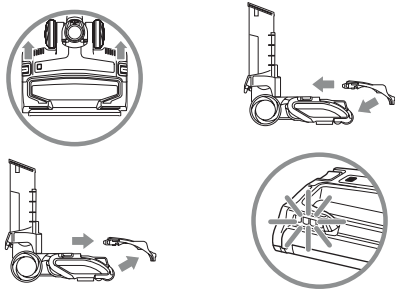
### Brushroll Maintenance

Run scissors along the guide on the brushroll to remove any string, hair, or debris.



### Soft Roller Maintenance

Lift out the Soft Roller by pulling the tab on the right side. Clear away any debris, then slide the Soft Roller back into place.



# Shark

For questions or to register your product, contact us at  
0800 862 0453 or visit us online at [sharkclean.eu](http://sharkclean.eu)

©2018 Euro-Pro Europe LTD. SHARK is a registered trademark of Euro-Pro Europe LTD. DUOCLEAN and LIFT-AWAY are trademarks of Euro-Pro Europe LTD.

AX910UKSeries\_QSG\_REV\_180302

Please be sure to read the enclosed Shark® Owner's Guide prior to using your vacuum.

duo clean™

# Shark®

## DUO CLEAN POWERED LIFT-AWAY™

## QUICK START GUIDE

Use this Quick Start Guide to start using your new vacuum's great features.

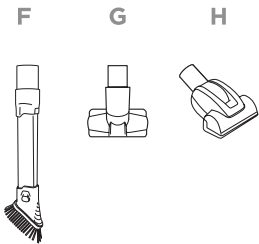
Register your vacuum at  
[registeryourshark.com](http://registeryourshark.com)

### AX910UK SERIES



## WHAT'S INSIDE:

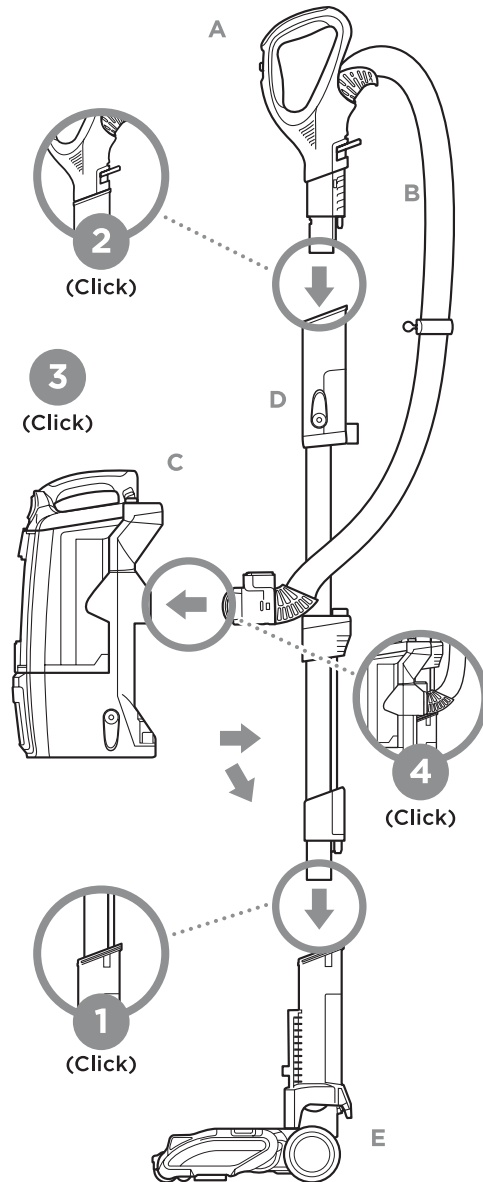
- A Handle
- B Hose
- C Vacuum Pod
- D Wand
- E DuoClean™ Floor Nozzle
- F Duster Crevice Tool
- G Upholstery Tool
- H Pet Power Brush (certain models only)



1. Insert wand into floor nozzle.
2. Insert handle into wand.
3. Place pod onto wand.  
Slide down to connect.
4. Press hose into back of pod.

The top flap of your box shows the select accessories that are included with your model.  
For complete instructions, see the enclosed Owner's Guide.  
For additional parts and accessories, visit [sharkclean.eu](http://sharkclean.eu)

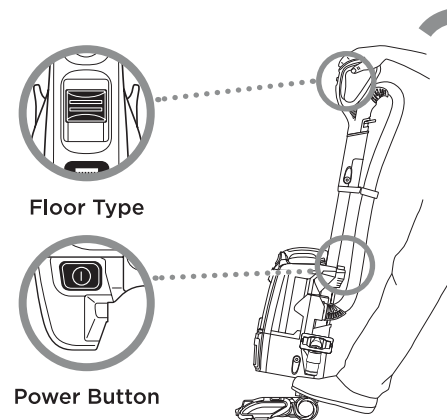
## ASSEMBLY



## VERSATILE FLOOR-TO-CEILING CLEANING

### UPRIGHT MODE

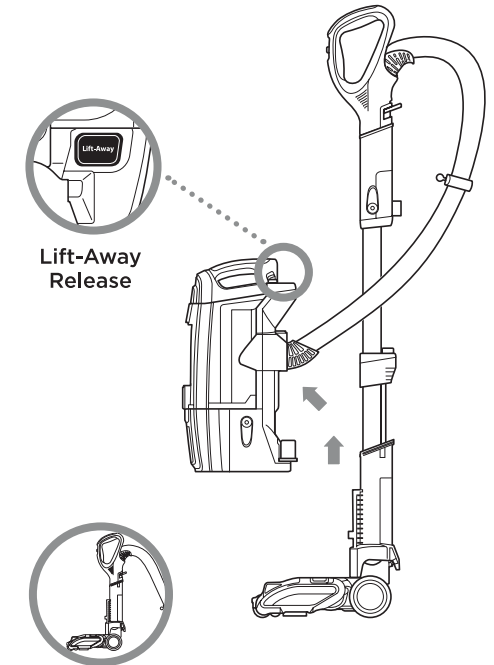
Place your foot gently on the floor nozzle and tilt the handle back. Choose floor type and press power button.



- Hard Floor:** Gentle on hard floors.
- Carpet / Low Pile:** Optimised brushroll speed and suction for carpets.
- Thick Carpet / Area Rug:** Optimised brushroll speed and suction for thick carpets.

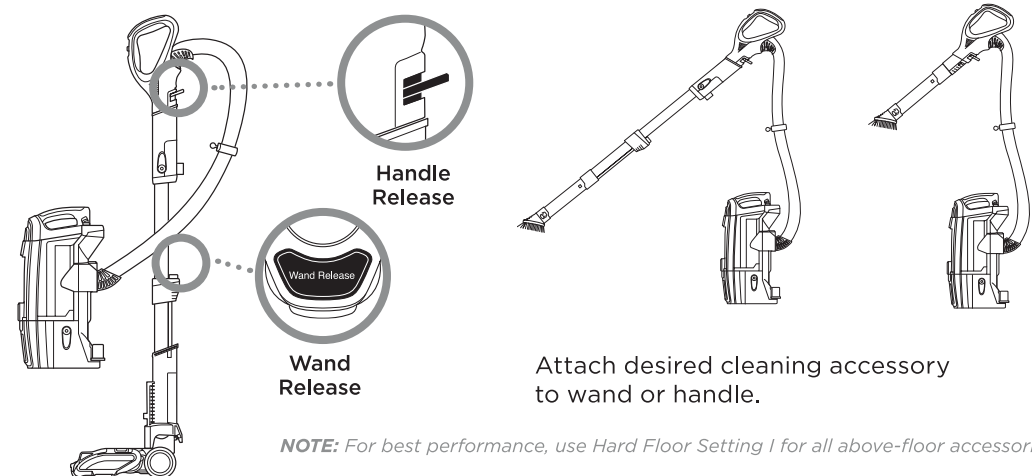
### POWERED LIFT-AWAY® MODE

Press Lift-Away Release button to lift pod off wand to clean hard-to-reach places.



**NOTE:** See below for wand and handle release instructions.

### ABOVE-FLOOR CLEANING IN LIFT-AWAY™ MODE



Attach desired cleaning accessory to wand or handle.

**NOTE:** For best performance, use Hard Floor Setting I for all above-floor accessories.